

MOUNTING BRACKETS FOR FIBER SPLICE ENCLOSURES

CATALOG #: SI-ENC-UNV, SI-ENC-450

The SI-ENC series mounting brackets offer an easy to install and secure method for attaching an aerial fiber splice enclosure to overhead strand.



Application

The SI-ENC-UNV is an universal mount that provides an easy and safe method of securing dome system fiber splice enclosures (ranging from 4.5" to 10" diameter) to overhead strand.



Features

- Bracket
 - » The placing hook holds the splice enclosure on the overhead strand to facilitate easy and safe mounting of the bracket to the strand
 - » Steel material, mechanically galvanized
- Lashing Clamp
 - » Uses a larger 3/8" bolt for added strength and durability, especially when installing larger splice enclosures
- Straps
 - » Dual option of either (2) traditional stainless steel lashing straps, or (2) stainless steel quick release hose clamps
- Adapter Boots
 - » Reversible adapter boots conform to a 4.5", 6", 8", or 10" diameter dome splice enclosure
 - » Made from the same UV Stabilized Polyethylene material used on splice enclosures.

UNIVERSAL DESIGN



Visit macleannetworksolutions.com
or scan code for more information

 is now known as



MacLean Network Solutions

610 Pond Drive, Wood Dale, IL 60191

Phone: 800-350-1650

Email: Sales@MacLeanSenior.com • www.macleannetworksolutions.com



Ordering Information

UNIVERSAL BRACKET (FITS 4.5" TO 10" SPLICE ENCLOSURES)

Catalog Number	Included	Quantity
SI-ENC-UNV	Bracket w/ Safety Hook	2
	Fittings	2
	Lashing Strap	2
	Quick Release Hose Clamp Strap	2
	4.5" - 6" Adapter	2
	8" - 10" Adapter	2

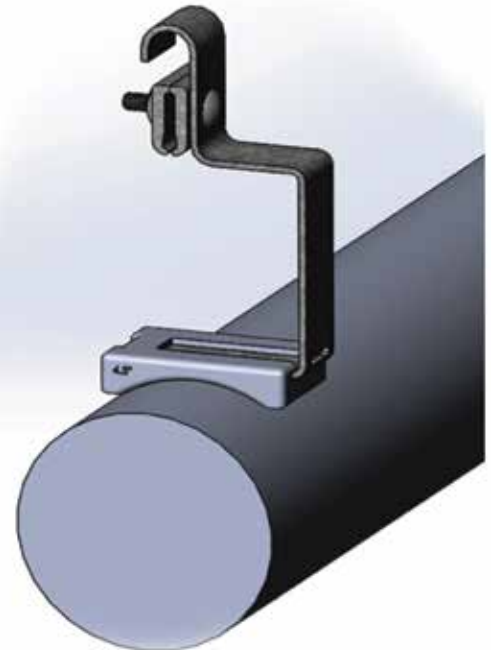
INTERCHANGEABLE FITTINGS

» Interchangeable adapters for 4.5" - 6" and 8" - 10" options



UNIQUE SAFETY HOOK

» Supports the splice enclosure during initial installation allowing for a safe and easy attachment of the fittings to the messenger strand



STANDARD BRACKET (FITS 4.5" SPLICE ENCLOSURES)

Catalog Number	Included	Quantity
SI-ENC-450	Bracket	2
	Fittings	2
	Lashing Strap	2
	Quick Release Hose Clamp Strap	2

