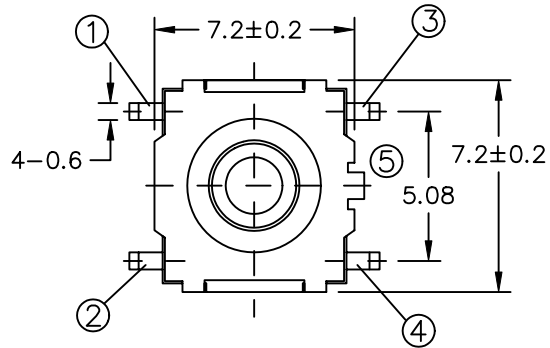


COMPONENT SPECIFICATION

USE OR REPRODUCTION OF THIS DRAWING FOR THE PURPOSE OF MANUFACTURING THIS ARTICLE OR ANY ARTICLES SHOWN FOR ANY PURPOSE IS STRICTLY PROHIBITED WITHOUT WRITTEN PERMISSION FROM SENIOR INDUSTRIES, INC.

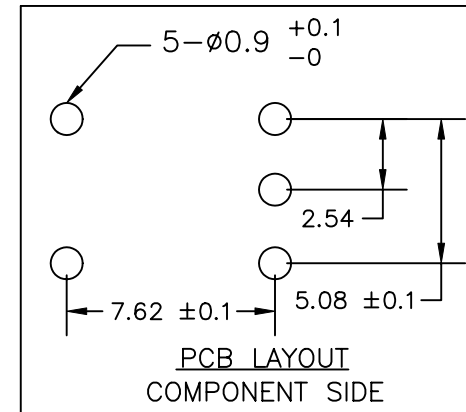
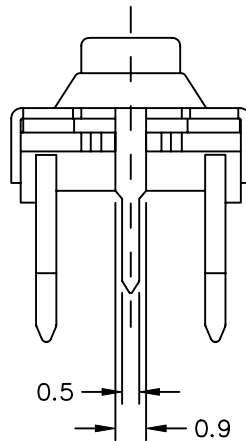
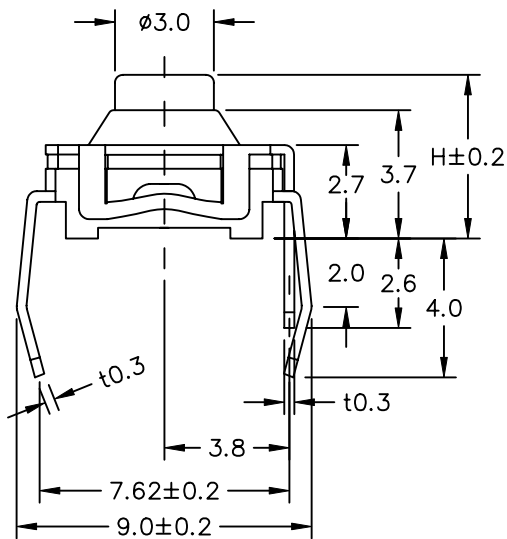
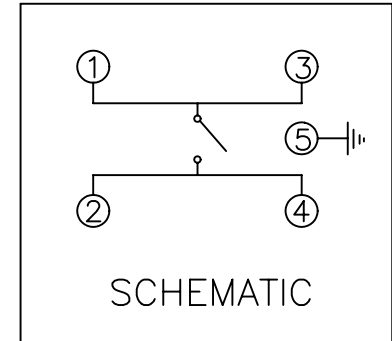


FIRST 'X' IN PART NUMBER DENOTES ACTUATOR HEIGHT.

- 'A' - DIM 'H' = 4.7mm ±0.2
- 'B' - DIM 'H' = 7.0mm ±0.2
- 'C' - DIM 'H' = 10.0mm ±0.2
- 'D' - DIM 'H' = 5.2mm ±0.2

SECOND 'X' IN PART NUMBER DENOTES OPERATING FORCE.

- 'A' - 130 ± 50 gf
- 'B' - 160 ± 50 gf
- 'C' - 300 ± 50 gf



RoHS COMPLIANT



SENIOR INDUSTRIES, INC.

DESIGNED:			SYM.	DATE:	DESCRIPTION OF REVISIONS:	DRAWN:	APPD:	TOLERANCE:	PART NO:	SRT-KRS-0720-XX
DRAWN:	RB	03/29/01	▲	03.29.01	NEW	RB	TF	TO 1 DECIMAL PLACE: ± .3 TO 2 DECIMAL PLACES: ± .13	TITLE:	SEALED TACT SWITCH
CHECKED:	GAT	05/07/08	▲	04.26.05	New Index. Dim 4.5 corr'd w/ 5.08	GAT	JF		SHEET:	1 OF 2
APPROVED:	JF	05/07/08	▲	05.02.05	Sealed added; Moisture-proof type on Spec area	GAT	JF			
			▲	05.06.08	Improved views and specs	GAT	JF			
3RD ANGLE		UNIT:	mm	SCALE:	4:1	REV:	D	AS ANGLES:	±	

1

2

3

4

5

COMPONENT
SPECIFICATIONUSE OR REPRODUCTION OF THIS DRAWING FOR THE PURPOSE OF MANUFACTURING THIS
ARTICLE OR ANY ARTICLES SHOWN FOR ANY PURPOSE IS STRICTLY PROHIBITED WITHOUT
WRITTEN PERMISSION FROM SENIOR INDUSTRIES, INC.SPECIFICATIONSELECTRICAL

CONTACT RATING: 50mA @ 50 VDC
 CONTACT RESISTANCE: 50 MILLIOHMS MAX.
 INSULATION RESISTANCE: 100 MEGOHMS MIN. AT 500 VDC
 DIELECTRIC STRENGTH: 250 VAC FOR 1 MINUTE

MECHANICAL

OPERATING LIFE: 'A' - 130gf : 80,000 CYCLES
 'B' - 160gf : 80,000 CYCLES
 'C' - 300gf : 50,000 CYCLES

TRAVEL: 0.5 ±0.2mm
 BOUNCE: 10mSEC MAX
 STOP STRENGTH: 3Kgf FOR 15 SEC.

ENVIRONMENTAL

OPERATING TEMPERATURE: -20°C TO +70°C
 STORAGE TEMPERATURE: -30°C TO +80°C
 SEAL TYPE: MOISTURE-PROOF
 COLD TEST: -20±2°C FOR 96 HOURS. STANDARD CONDITIONS AFTER TEST: 1 HOUR.
 MEETS ORIGINAL SPEC.
 HEAT TEST: +80±2°C FOR 96 HOURS. STANDARD CONDITIONS AFTER TEST: 1 HOUR.
 MEETS ORIGINAL SPEC.
 HUMIDITY TEST: +60±2°C, 90~95% RH FOR 96 HOURS. STANDARD CONDITIONS
 AFTER TEST: 1 HOUR. MEETS ORIGINAL SPEC.
 SOLDERING HEAT TEST: 260±5°C FOR 5 SEC.
 MANUAL SOLDERING CONDITIONS: 350±5°C FOR 3 SEC. MAX.

MATERIAL

HOUSING: PA6T, BLACK
 STEM: PA6T
 TERMINALS: t0.3mm BRASS, SILVER PLATING OVER NICKEL
 CONTACT: t0.07mm PHOSPHOR BRONZE, SILVER PLATED
 COVER: t0.3mm STEEL, ELECTRO-TIN PLATED
 DUST COVER: SILICON RUBBER COMPOUND

RoHS COMPLIANT

**SENIOR
INDUSTRIES, INC.**

DESIGNED:			SYM.	DATE:	DESCRIPTION OF REVISIONS:	DRAWN:	APPD:	TOLERANCE:	PART NO:	SRT-KRS-0720-XX
DRAWN:	RB	03/29/01	△	03.29.01	NEW	RB	TF			
CHECKED:	GAT	05/07/08	△	04.26.05	New Index. Dim 4.5 corr'd w/ 5.08	GAT	JF	TO 1 DECIMAL PLACE: ±	TITLE:	SEALED TACT SWITCH
APPROVED:	JF	05/07/08	△	05.02.05	Sealed added; Moisture-proof type on Spec area	GAT	JF			
			△	05.06.08	Improved views and specs	GAT	JF	TO 2 DECIMAL PLACES: ±	SHEET:	2 OF 2
3RD ANGLE		UNIT:	mm	SCALE:		REV:	D	AS ANGLES: ±		