

COMPONENT SPECIFICATION

USE OR REPRODUCTION OF THIS DRAWING FOR THE PURPOSE OF MANUFACTURING THIS ARTICLE OR ANY ARTICLES SHOWN FOR ANY PURPOSE IS STRICTLY PROHIBITED WITHOUT WRITTEN PERMISSION FROM SENIOR INDUSTRIES, INC.

SPECIFICATIONS:

ELECTRICAL:

ACTION: TACTILE FEED-BACK
 CONTACT: SPST
 CONTACT RATING: 50mA @ 12VDC
 CONTACT RESISTANCE: 100 MILLIOHMS MAX. DC RESISTANCE
 INSULATION RESISTANCE: 100 MEGOHMS MIN. @ 100VDC
 DIELECTRIC STRENGTH: 250VAC FOR 1 MINUTE
 BOUNCE: LESS THAN 100m SEC.

MECHANICAL:

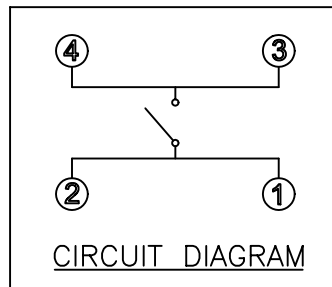
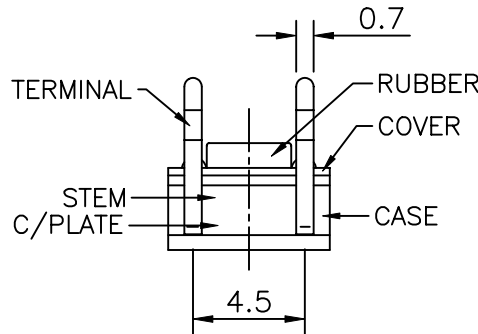
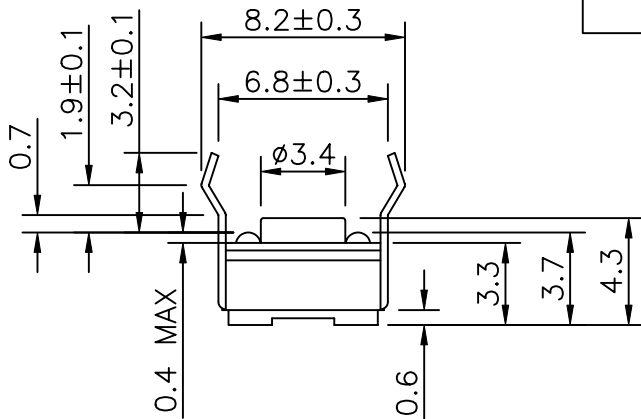
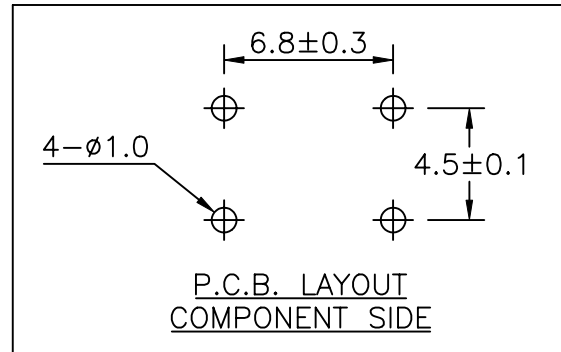
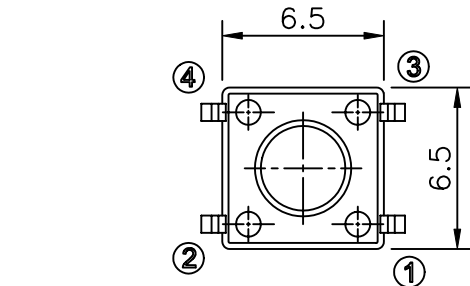
OPERATING LIFE: 100,000 CYCLES
 OPERATING FORCE: 200gf ±70gf
 TRAVEL: 0.25mm +0.2/-0.1 MM
 RETURN FORCE: 50gf MIN.
 STOP STRENGTH: 3Kgf MIN. FOR 3 SEC.
 STEM WITHDRAWAL FORCE: 500gf MIN.

MATERIAL:

CASE: P.B.T., BLACK COLOR
 RUBBER: SILICON, AMBER COLOR
 COVER: 0.3MM THICK FILM
 STEM: NYLON 6/6, UL94V-0, BLACK
 CONTACT PLATE: PHOSPHOR BRONZE, SILVER CLAD
 TERMINALS: BRASS, SILVER PLATED

ENVIRONMENTAL:

OPERATING TEMPERATURE: -40°C TO +105°C (45-85% RH)
 STORAGE TEMPERATURE: -40°C TO +80°C
 COLD TEST: -30±2°C FOR 96 HOURS. STANDARD CONDITIONS AFTER TEST: 1 HOUR. MEETS ORIGINAL SPEC.
 HEAT TEST: +80±2°C FOR 96 HOURS. STANDARD CONDITIONS AFTER TEST: 1 HOUR. MEETS ORIGINAL SPEC.
 HUMIDITY TEST: +60±2°C, 90~95% RH FOR 96 HOURS. STANDARD CONDITIONS AFTER TEST: 1 HOUR. MEETS ORIGINAL SPEC.
 SOLDERING HEAT TEST: 255°C MAX. FOR 5 SEC. PREHEAT TEMPERATURE: 100°C MAX. FOR 45 SEC. MAX.



RoHS COMPLIANT



DESIGNED:			SYM:	DATE:	DESCRIPTION OF REVISIONS:	DRAWN:	APPD:
DRAWN:	GAT	02/01/10	▲	02.01.10	NEW	GAT	JF
CHECKED:	GAT	02/01/10	▲	.	.		
APPROVED:	JF	02/01/10	▲	.	.		

TOLERANCE:	PART NO:	SRT-KRS-0650T
TO 1 DECIMAL PLACE: ±.3	TITLE:	REVERSED THROUGH HOLE TACT SWITCH
TO 2 DECIMAL PLACES: ±.12	SHEET:	1 OF 1

3RD ANGLE		UNIT:	mm	SCALE:	1:1	REV.	A
-----------	--	-------	----	--------	-----	------	---

AS ANGLES:	±1/2°
------------	-------