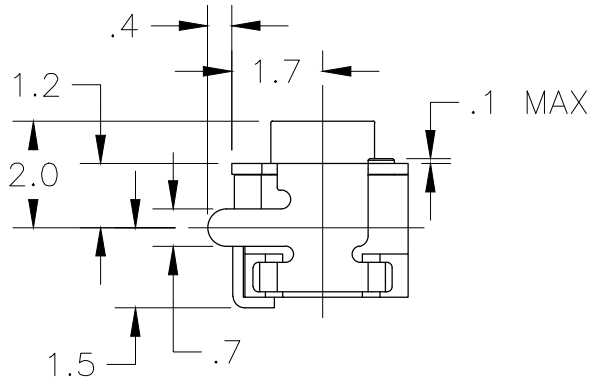
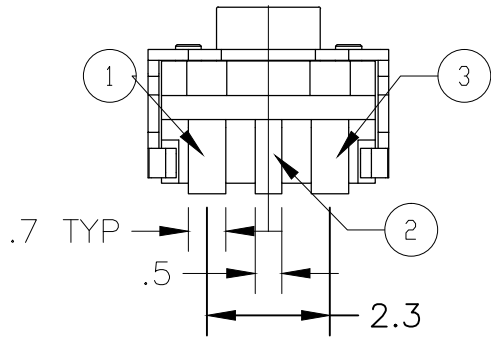
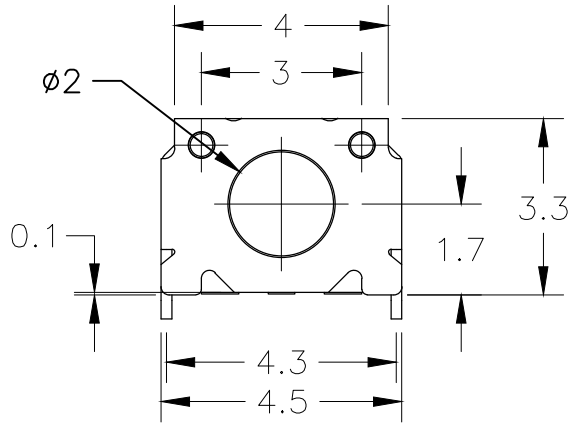
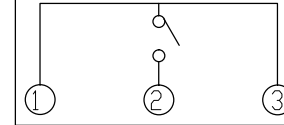


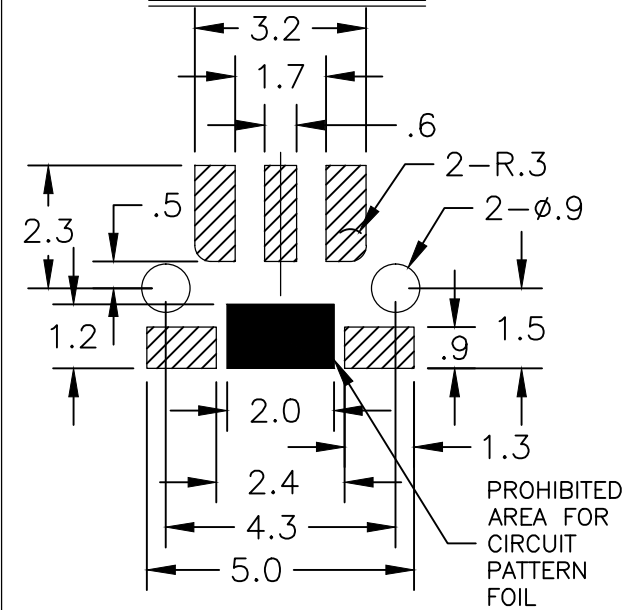
COMPONENT SPECIFICATION

USE OR REPRODUCTION OF THIS DRAWING FOR THE PURPOSE OF MANUFACTURING THIS ARTICLE OR ANY ARTICLES SHOWN FOR ANY PURPOSE IS STRICTLY PROHIBITED WITHOUT WRITTEN PERMISSION FROM MACLEAN SENIOR INDUSTRIES, LLC

CIRCUIT DIAGRAM



SMT REFLOW PATTERN (TOLERANCE:  $\pm 0.05$ )



TOLERANCE  $\pm 0.2$  UNLESS OTHERWISE SPECIFIED



|           |     |          |      |          |                           |        |       |                            |          |                       |        |
|-----------|-----|----------|------|----------|---------------------------|--------|-------|----------------------------|----------|-----------------------|--------|
| DESIGNED: |     |          | SYM. | DATE:    | DESCRIPTION OF REVISIONS: | DRAWN: | APPD: | TOLERANCE:                 | PART NO: | SRT-SMTR-330-AA       |        |
| DRAWN:    | MAW | 10/18/17 | ▲    | 10.18.17 | NEW                       | MAW    | JF    |                            |          |                       |        |
| CHECKED:  | MAW | 10/18/17 | ▲    | .        | .                         |        |       | TO 2 DECIMAL PLACES: $\pm$ | TITLE:   | MINIATURE TACT SWITCH |        |
| APPROVED: | JF  | 10/18/17 | ▲    | .        | .                         |        |       | TO 3 DECIMAL PLACES: $\pm$ |          |                       |        |
| 3RD ANGLE |     | UNIT:    | mm   | SCALE:   | 9:1                       | REV.   | A     | AS ANGLES:                 | $\pm$    | SHEET:                | 1 OF 3 |

1

2

3

4

5

COMPONENT  
SPECIFICATIONUSE OR REPRODUCTION OF THIS DRAWING FOR THE PURPOSE OF MANUFACTURING THIS  
ARTICLE OR ANY ARTICLES SHOWN FOR ANY PURPOSE IS STRICTLY PROHIBITED WITHOUT  
WRITTEN PERMISSION FROM MACLEAN SENIOR INDUSTRIES, LLCSPECIFICATIONS:

## ELECTRICAL:

CONTACT RATING: 50mA @ 12 VDC  
 CONTACT RESISTANCE: 100 MILLIOHMS MAX  
 DIELECTRIC STRENGTH: 250 VAC FOR 1 MIN.  
 INSULATION RESISTANCE: 100 MEGOHMS MIN. @ 100 VDC

## MECHANICAL:

OPERATING FORCE: 160gf ±50gf  
 OPERATING LIFE: 100,000 CYCLES MIN.  
 TRAVEL: 0.2±0.1mm

## ENVIRONMENTAL:

OPERATING TEMPERATURE: -20°C TO +70°C  
 STORAGE TEMPERATURE: -30°C TO +80°C  
 HUMIDITY RANGE: 85%RH MAX.  
 2002/95/EC(RoHS) COMPLIANT

## MATERIAL:

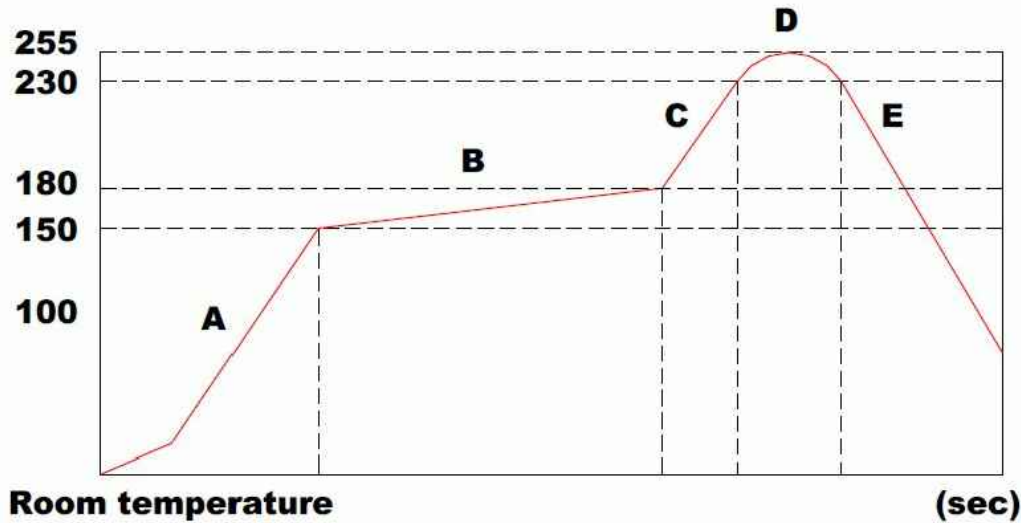
HOUSING: LCP, BLACK  
 ACTUATOR: LCP, BLACK  
 COVER: BRASS, SILVER PLATED  
 TERMINALS: BRASS, SILVER PLATED  
 CONTACT: STAINLESS STEEL, SILVER CLAD



| DESIGNED: |     |          | SYM. | DATE:    | DESCRIPTION OF REVISIONS: | DRAWN: | APPD: | TOLERANCE:             | PART NO: | TITLE: |        |
|-----------|-----|----------|------|----------|---------------------------|--------|-------|------------------------|----------|--------|--------|
| DRAWN:    | MAW | 10/18/17 | △    | 10.18.17 | NEW                       | MAW    | JF    |                        |          |        |        |
| CHECKED:  | MAW | 10/18/17 | △    | .        | .                         |        |       | TO 2 DECIMAL PLACES: ± |          |        |        |
| APPROVED: | JF  | 10/18/17 | △    | .        | .                         |        |       | TO 3 DECIMAL PLACES: ± |          |        |        |
| 3RD ANGLE |     | UNIT:    | mm   | SCALE:   | 9:1                       | REV.   | A     | AS ANGLES:             | ±        | SHEET: | 2 OF 3 |

COMPONENT SPECIFICATION

USE OR REPRODUCTION OF THIS DRAWING FOR THE PURPOSE OF MANUFACTURING THIS ARTICLE OR ANY ARTICLES SHOWN FOR ANY PURPOSE IS STRICTLY PROHIBITED WITHOUT WRITTEN PERMISSION FROM MACLEAN SENIOR INDUSTRIES, LLC



| Parts | Temperature (°C) | Time at temperature(sec) | Treatments       |
|-------|------------------|--------------------------|------------------|
| A     | NO - 150         |                          |                  |
| B     | 150 - 180        | 90 ± 30                  | Pre-heating zone |
| C     | 180 - 230        |                          |                  |
| D     | 230 - 255 - 230  | 30 ± 10 (Peak : 3 MAX.)  | Soldering zone   |
| E     | 230 to NO        |                          | Cooling zone     |



|           |     |          |      |          |                           |        |       |            |                        |                        |                       |
|-----------|-----|----------|------|----------|---------------------------|--------|-------|------------|------------------------|------------------------|-----------------------|
| DESIGNED: |     |          | SYM. | DATE:    | DESCRIPTION OF REVISIONS: | DRAWN: | APPD: | TOLERANCE: | PART NO:               | SRT-SMTR-330-AA        |                       |
| DRAWN:    | MAW | 10/18/17 | △    | 10.18.17 | NEW                       | MAW    | JF    |            | TO 2 DECIMAL PLACES: ± | TITLE:                 | MINIATURE TACT SWITCH |
| CHECKED:  | MAW | 10/18/17 | △    | .        | .                         |        |       |            |                        | TO 3 DECIMAL PLACES: ± | SHEET:                |
| APPROVED: | JF  | 10/18/17 | △    | .        | .                         |        |       |            | AS ANGLES: ± *         |                        |                       |
| 3RD ANGLE |     | UNIT:    | mm   | SCALE:   | 9:1                       | REV.   | A     |            |                        |                        |                       |