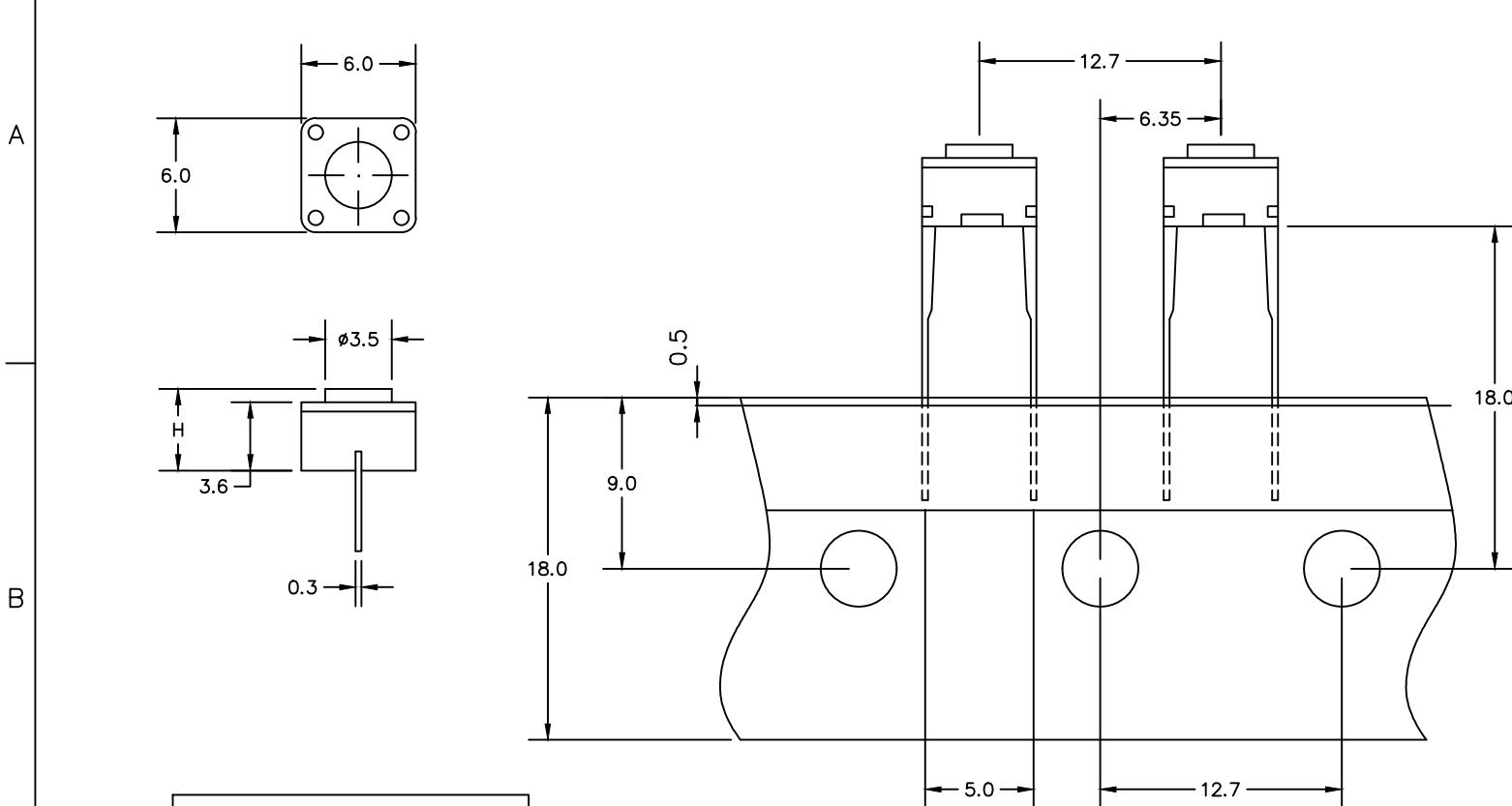
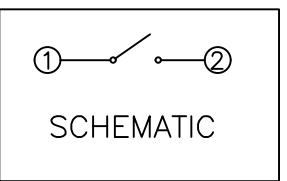
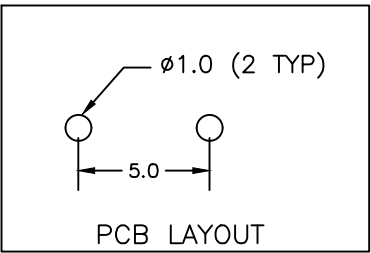


1	2	3	4	5
COMPONENT SPECIFICATION	USE OR REPRODUCTION OF THIS DRAWING FOR THE PURPOSE OF MANUFACTURING THIS ARTICLE OR ANY ARTICLES SHOWN FOR ANY PURPOSE IS STRICTLY PROHIBITED WITHOUT WRITTEN PERMISSION FROM SENIOR INDUSTRIES, INC.			



X	DIM H
A	4.3mm
B	5.0mm
C	7.0mm
D	13.5mm



NOTE: X IN PART NUMBER DENOTES PART HEIGHT.



DESIGNED:			SYM.	DATE:	DESCRIPTION OF REVISIONS:	DRAWN:	APPD:	TOLERANCE:	PART NO:	SRT-KRS-0601-X
DRAWN:	RB	01/31/01	▲	03.29.05	Showed the correct way of packaging.	GAT	JF	TO 1 DECIMAL PLACE: ±.3 TO 2 DECIMAL PLACES: ±.13	TITLE:	TACT SWITCH
CHECKED:	GAT	12/10/08	▲	10.21.05	Corr dome contact mat. fr SS to: Cu alloy, Ag pl't'd	GAT	JF			
APPROVED:	JF	12/10/08	▲	11.26.08	Corr oper. temp. from -20°C~70°C to -40°C~80°C	GAT	JF	AS ANGLES:	SHEET:	1 OF 3
			▲	12.10.08	Corr storage temp. from -30°C~80°C to -40°C~80°C	GAT	JF			
			▲	06.04.12	Added "D" actuator option 13.5mm height, H, value	MAW	JF			
3RD ANGLE		UNIT: mm		SCALE: 3:1		REV: M				

1

2

3

4

5

COMPONENT SPECIFICATION

USE OR REPRODUCTION OF THIS DRAWING FOR THE PURPOSE OF MANUFACTURING THIS ARTICLE OR ANY ARTICLES SHOWN FOR ANY PURPOSE IS STRICTLY PROHIBITED WITHOUT WRITTEN PERMISSION FROM SENIOR INDUSTRIES, INC.

SPECIFICATIONS

ELECTRICAL

CONTACT RATING: 50mA AT 12 VDC
 CONTACT RESISTANCE: 100 MILLIOHMS MAX.
 INSULATION RESISTANCE: 100 MEGOHMS MIN. AT 100 VDC
 DIELECTRIC STRENGTH: 250 VAC FOR 1 MINUTE

MECHANICAL

OPERATING LIFE: 100,000 CYCLES MIN.
 ACTUATION FORCE: 130 ± 30gf
 TRAVEL: 0.25 ±0.1mm

ENVIRONMENTAL

OPERATING TEMPERATURE: -40°C TO +80°C
 STORAGE TEMPERATURE: -40°C TO +80°C
 SOLDERING TEMPERATURE:
 REFLOW SOLDERING: 285°C FOR 5 SECONDS
 WAVE SOLDERING: 255°C FOR 5 SECONDS

MATERIAL

HOUSING: NYLON 6/6, UL94HB, BLACK
 ACTUATOR: NYLON 6/6, UL94HB, BLACK
 TERMINALS: 0.3MM BRASS, TIN PLATED
 DOME CONTACT: COPPER ALLOY, SILVER PLATED



SENIOR INDUSTRIES, INC.

DESIGNED:			<u>SYM.</u>	<u>DATE:</u>	<u>DESCRIPTION OF REVISIONS:</u>	<u>DRAWN:</u>	<u>APPD:</u>	TOLERANCE:	PART NO:	SRT-KRS-0601-X	
DRAWN:	RB	01/31/01	△	03.29.05	Showed the correct way of packaging.	GAT	JF				TO 1 DECIMAL PLACE: ±.3
CHECKED:	GAT	12/10/08	△	10.21.05	Corr dome contact mat. fr SS to: Cu alloy,Ag pl't'd	GAT	JF		TO 2 DECIMAL PLACES: ±.13	SHEET:	
APPROVED:	JF	12/10/08	△	11.26.08	Corr oper. temp. from -20°C~70°C to -40°C~80°C	GAT	JF				AS ANGLES: ±
			△	12.10.08	Corr storage temp. from -30°C~80°C to -40°C~80°C	GAT	JF				
			△	06.04.12	Added "D" actuator option 13.5mm height, H, value	MAW	JF				
3RD ANGLE		<u>UNIT:</u>	mm	<u>SCALE:</u>	3:1	<u>REV:</u>	M				

1

2

3

4

5

COMPONENT SPECIFICATION

USE OR REPRODUCTION OF THIS DRAWING FOR THE PURPOSE OF MANUFACTURING THIS ARTICLE OR ANY ARTICLES SHOWN FOR ANY PURPOSE IS STRICTLY PROHIBITED WITHOUT WRITTEN PERMISSION FROM SENIOR INDUSTRIES, INC.

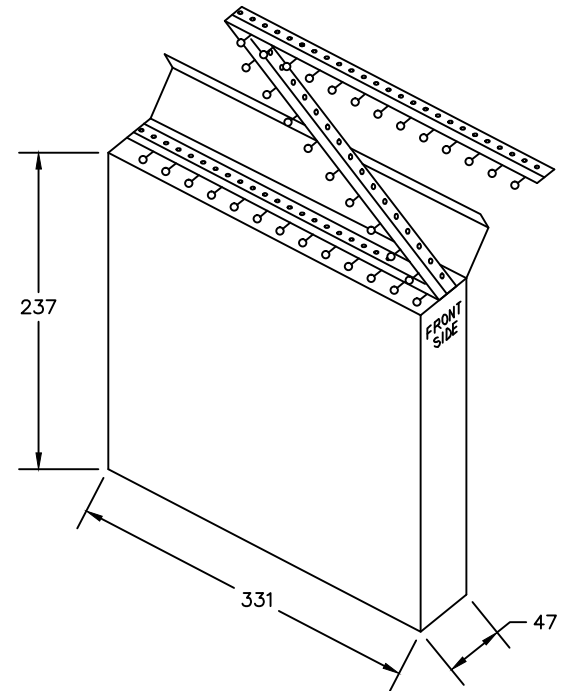
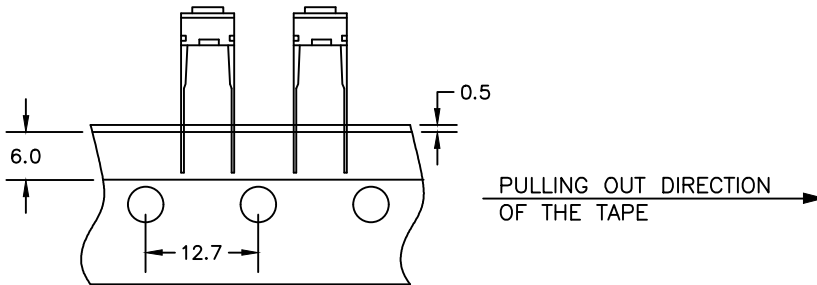
TAPE PACKAGING SPECIFICATIONS

PACKAGING QUANTITY

INNER BOX: 1000 PIECES
MASTER CARTON: 10 INNER BOXES MAX. (10,000 PIECES)

INNER BOX FORM AND DIMENSIONS

TAPING FORM



SENIOR INDUSTRIES, INC.

DESIGNED:											
DRAWN:	RB	01/31/01	SYM.	DATE:	DESCRIPTION OF REVISIONS:	DRAWN:	APPD:				
CHECKED:	GAT	12/10/08	▲	03.29.05	Showed the correct way of packaging.	GAT	JF				
APPROVED:	JF	12/10/08	▲	10.21.05	Corr dome contact mat. fr SS to: Cu alloy, Ag pl't'd	GAT	JF				
			▲	11.26.08	Corr oper. temp. from -20°C~70°C to -40°C~80°C	GAT	JF				
			▲	12.10.08	Corr storage temp. from -30°C~80°C to -40°C~80°C	GAT	JF				
			▲	06.04.12	Added "D" actuator option 13.5mm height, H, value	MAW	JF				
3RD ANGLE			UNIT:	mm	SCALE:	3:1	REV:	M			

TOLERANCE:	PART NO:	SRT-KRS-0601-X
TO 1 DECIMAL PLACE: ±.3	TITLE:	TACT SWITCH
TO 2 DECIMAL PLACES: ±.13	SHEET:	3 OF 3
AS ANGLES: ±		