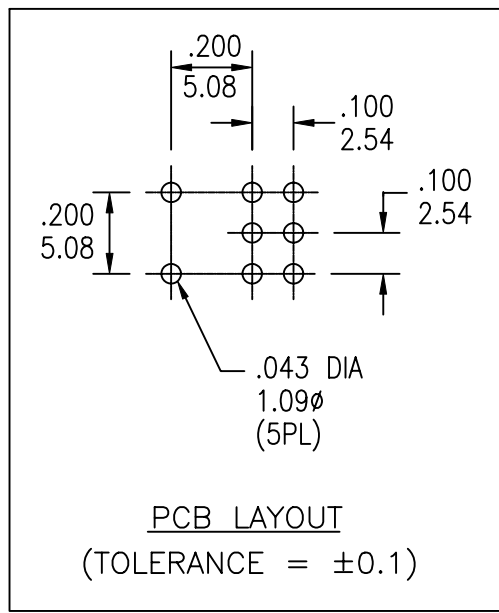
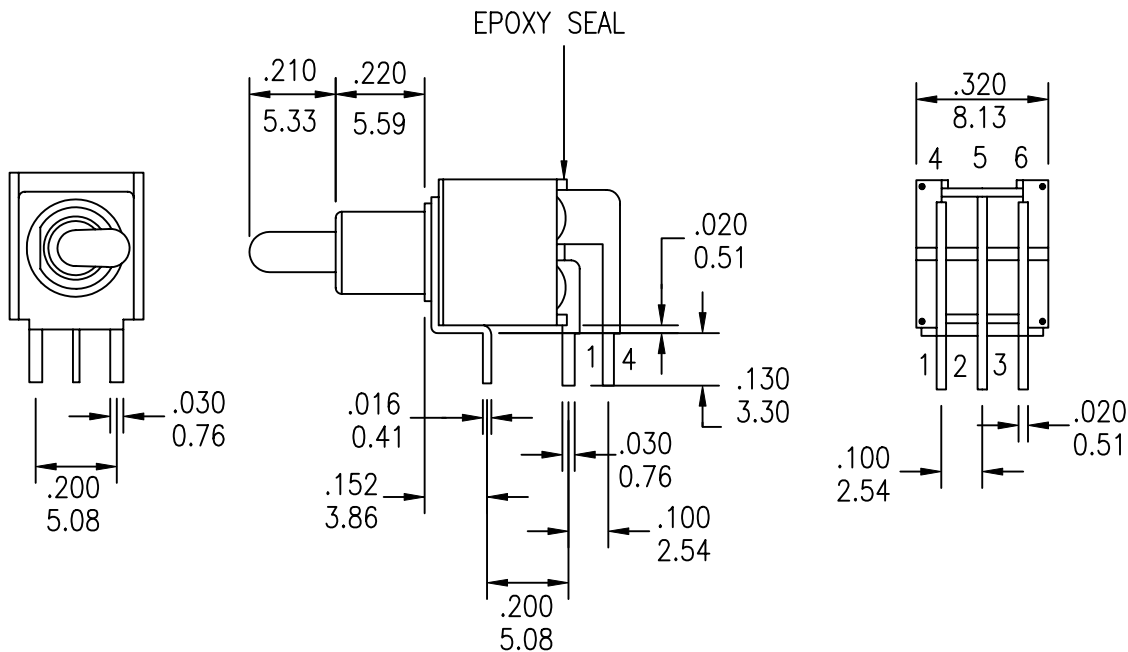


UNLESS OTHERWISE SPECIFIED, ALL DIMENSIONS ARE IN INCHES [MM].

TO 1 DECIMAL PLACE ±.2  
 TO 2 DECIMAL PLACES ±.10  
 AS ANGLES ±

ISSUE	DATE
A	03/13/01



MODEL NO.	SWITCHING POSITION		
TS7	ON	NONE	ON
TS7A	ON	OFF	ON
TS7B	ON	NONE	MOM
CONN. TERMS	2-3 5-6	OPEN	2-1 5-4
SCHEMATIC			

NON-SHORTING TYPE



TITLE:	TOGGLE SWITCH			PART NO:	SRST-TS7X-XXXXX	
DATE:	03/13/01	DRAWN:	RB	CHKD:	SCALE:	SHEET:
					2/1	1 OF 5

UNLESS OTHERWISE SPECIFIED, ALL DIMENSIONS ARE IN INCHES [MM].	TO 1 DECIMAL PLACE	±.2	ISSUE	DATE
	TO 2 DECIMAL PLACES	±.10	A	03/13/01
	AS ANGLES	±		

SPECIFICATIONS

ELECTRICAL

CONTACT RATING:  
 SILVER: 3A @ 120 VAC OR 28 VDC, 1A @ 250 VAC  
 GOLD: 0.4 VA MAX. @ 20 V MAX. (AC OR DC)

CONTACT RESISTANCE: 20 MILLIOHMS MAX.  
 INSULATION RESISTANCE: 1,000 MEGOHMS MIN. AT 500 VDC  
 DIELECTRIC STRENGTH: 1,000 VRMS

MECHANICAL

LIFE: 30,000 CYCLES

ENVIRONMENTAL

OPERATING TEMPERATURE: -30°C TO +85°C

MATERIAL

CASE: DAP, UL 94V-0  
 HOUSING: STAINLESS STEEL  
 ACTUATOR: BRASS, CHROME PLATED  
 BUSHING: BRASS, NICKEL PLATED  
 SUPPORT: BRASS, TIN PLATED  
 CONTACT/TERMINALS: COPPER ALLOY, SILVER OR GOLD PLATED

REGULATORY

UL AND CANADA RECOGNIZED COMPONENT. UL/CUL FILE NO. E173084.

SERIES	MODEL NO.	ACTUATOR	BUSHING	TERMINATION	CONTACT PLATING	SEAL
SRST	- □□□□□	- □	□	□	□	□
	TS7 TS7A TS7B	S (STD) T U V X	E (STD - THD) E1 (STD - NON-THD) F (THD) F1 (NON-THD) G (THD) G1 (NON-THD) H (THD) H1 (NON-THD) J (THD) J1 (NON-THD)	C (PC MOUNT)	Q (SILVER) R (GOLD)	BLANK E (EPOXY)



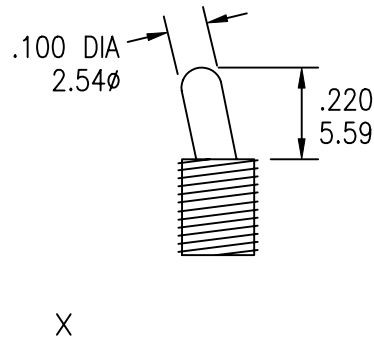
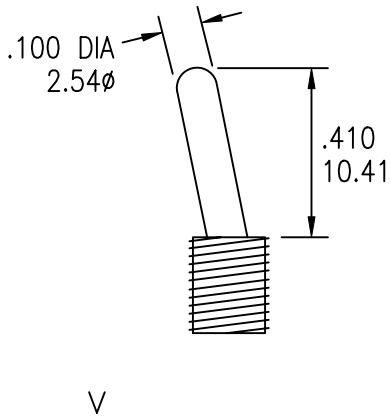
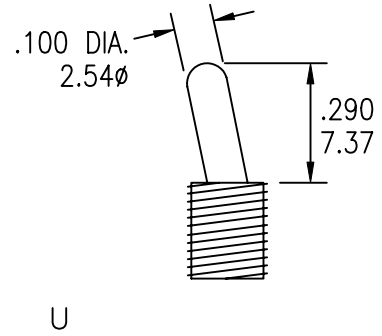
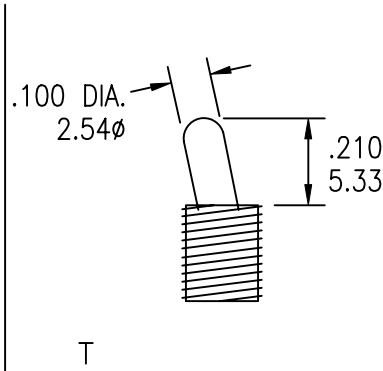
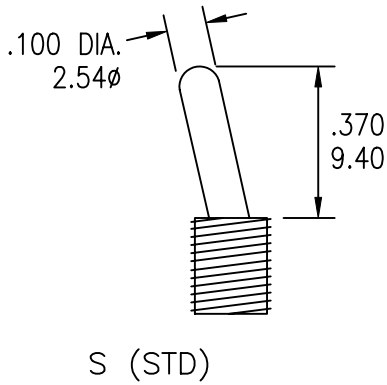
TITLE: TOGGLE SWITCH			PART NO: SRST-TS7X-XXXXX		
DATE: 03/13/01	DRAWN: RB	CHKD:	SCALE: N/A	SHEET: 2 OF 5	

UNLESS OTHERWISE SPECIFIED, ALL DIMENSIONS ARE IN INCHES [MM].

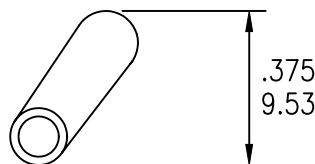
TO 1 DECIMAL PLACE ±.2  
 TO 2 DECIMAL PLACES ±.10  
 AS ANGLES ±

ISSUE	DATE
A	03/13/01

ACTUATOR OPTIONS



NOTE: OPTIONAL TOGGLE CAP AVAILABLE.



UNLESS OTHERWISE SPECIFIED, ALL DIMENSIONS ARE IN INCHES [MM].

TO 1 DECIMAL PLACE ±.2  
 TO 2 DECIMAL PLACES ±.10  
 AS ANGLES ±

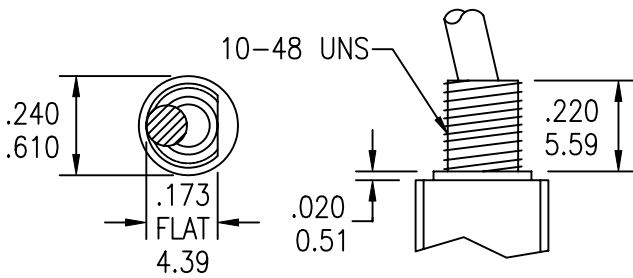
ISSUE

DATE

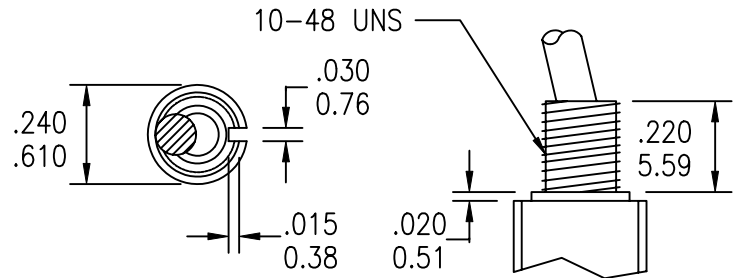
A

03/13/01

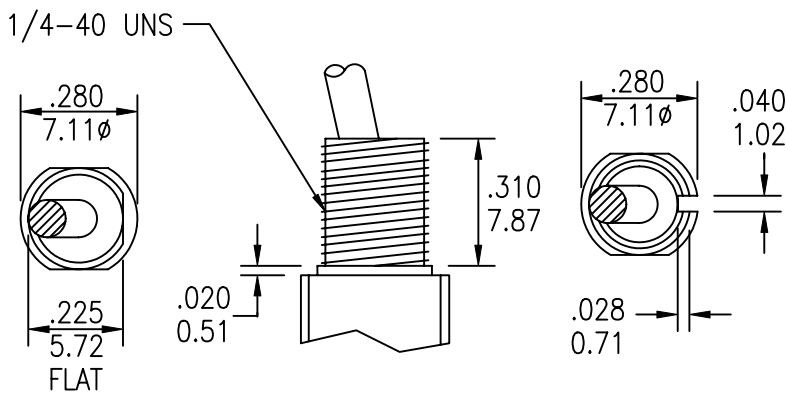
BUSHING OPTIONS



E (STD THD)  
 E1 (STD NON-THD)

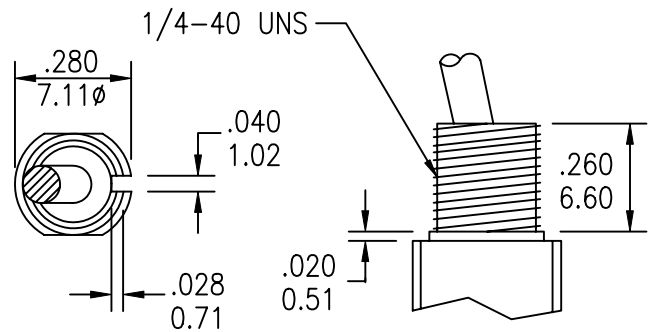


F (THD)  
 F1 (NON-THD)



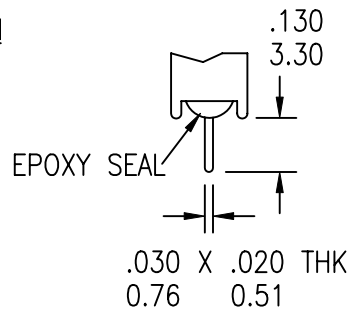
G (THD)  
 G1 (NON-THD)

H (THD)  
 H1 (NON-THD)

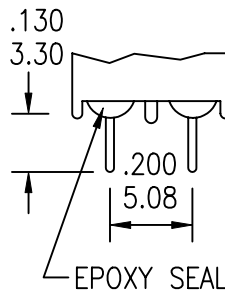


J (THD)  
 J1 (NON-THD)

TERMINATION



SPDT



DPDT

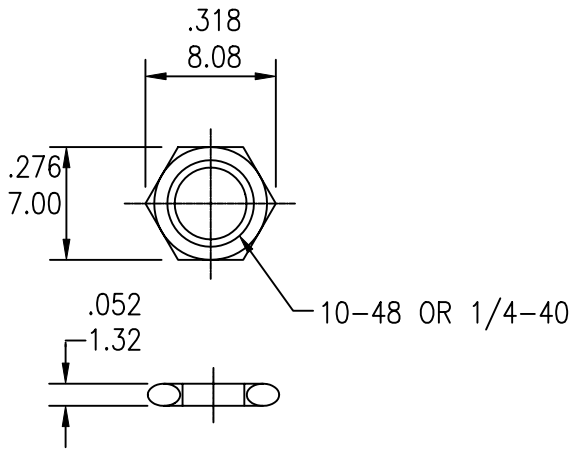
C (PC MOUNT)

UNLESS OTHERWISE SPECIFIED, ALL DIMENSIONS ARE IN INCHES [MM].

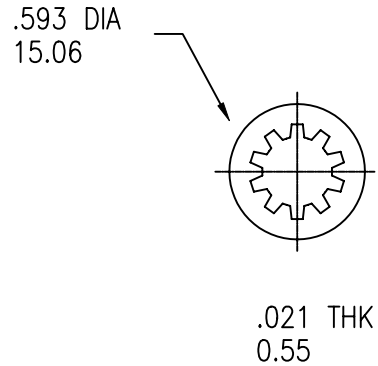
TO 1 DECIMAL PLACE ±.2  
 TO 2 DECIMAL PLACES ±.10  
 AS ANGLES ±

ISSUE	DATE
A	03/13/01

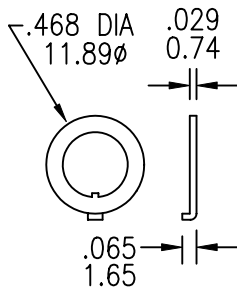
STANDARD NUT



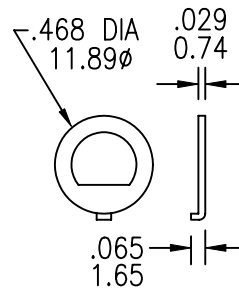
STANDARD LOCK WASHER



LOCKING RING

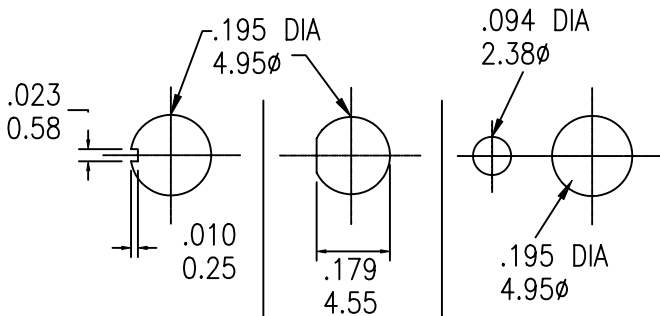


STD FOR F, F1, H, H1, J, AND J1 OPTIONS.



STD FOR E, E1, G, AND G1 OPTIONS.

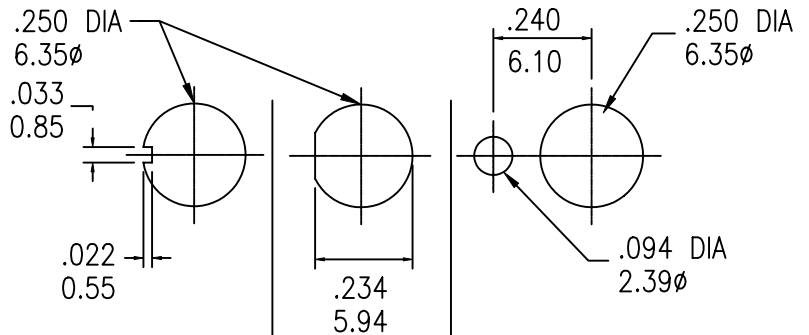
PANEL MOUNTING



FOR F AND F1 OPTIONS

FOR E AND E1 OPTIONS

FOR USE WITH LOCKING RING



FOR H, H1, J, AND J1 OPTIONS

FOR G AND G1 OPTIONS

FOR USE WITH LOCKING RING