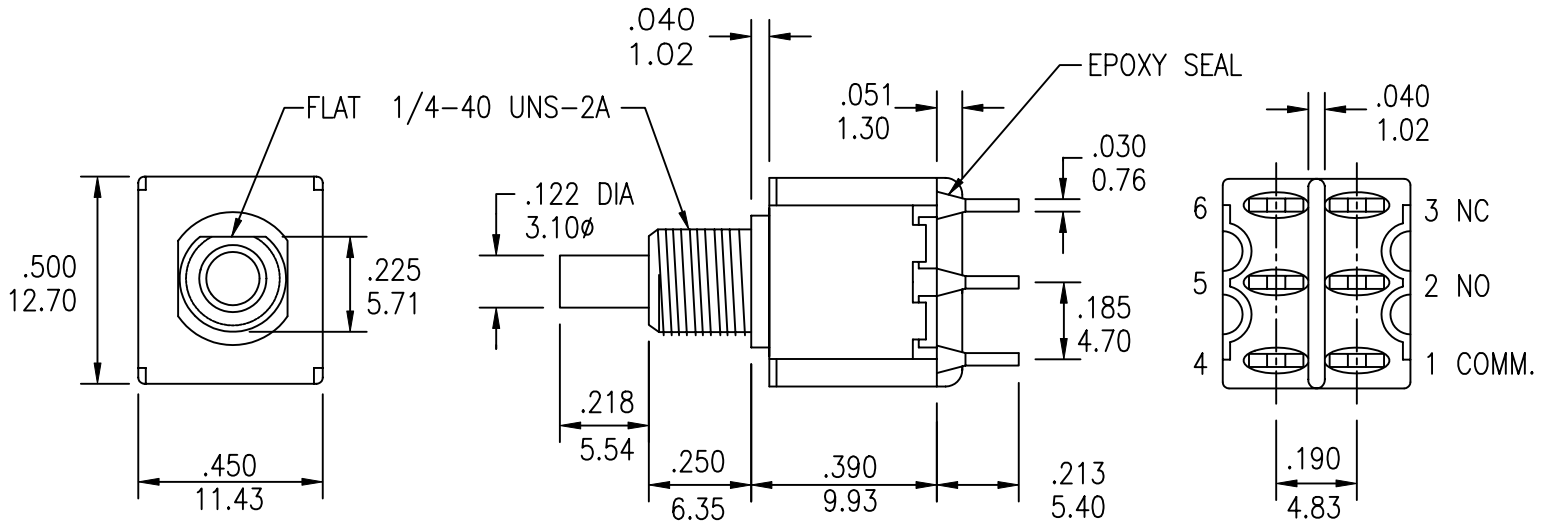




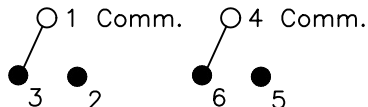
UNLESS OTHERWISE SPECIFIED, ALL DIMENSIONS ARE IN INCHES [MM].

TO 1 DECIMAL PLACE ±.2  
 TO 2 DECIMAL PLACES ±.10  
 AS ANGLES ±

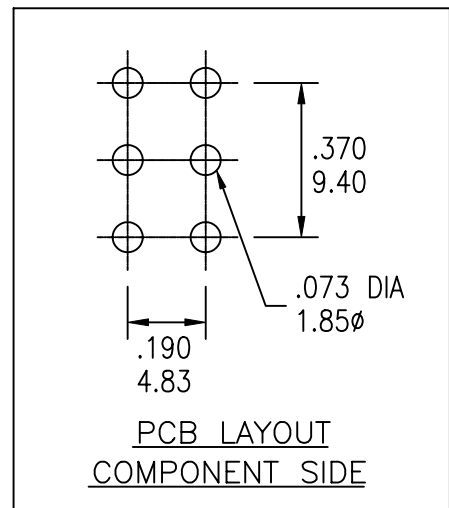
ISSUE	DATE
A	03/23/01
B	09/12/08
C	03/30/09



SRSA-8702-TBXE SHOWN

MODEL NO.	SWITCHING POSITION	
		
8702	ON	MOM
CONN. TERMS	1-3 4-6	1-2 4-5
SCHEMATIC		

NON-SHORTING TYPE



TITLE: PUSHBUTTON SWITCH

PART NO: SRSA-8702-XXXXXX

DATE: 03/05/01

DRAWN: RB

CHKD:

SCALE: 2/1

SHEET: 1 OF 7

UNLESS OTHERWISE SPECIFIED, ALL DIMENSIONS ARE IN INCHES [MM].  
 TO 1 DECIMAL PLACE ±.2  
 TO 2 DECIMAL PLACES ±.10  
 AS ANGLES ±

ISSUE	DATE
A	03/23/01
B	09/12/08
C	03/30/09

SPECIFICATIONS

ELECTRICAL

CONTACT RATING:

SILVER: 3A @ 120 VAC OR 28 VDC, 1A @ 250 VAC  
 GOLD: 0.4 VA MAX. @ 20 V MAX. (AC OR DC)

CONTACT RESISTANCE: 20 MILLIOHMS MAX.

INSULATION RESISTANCE: 1,000 MEGOHMS MIN. AT 500 VDC

DIELECTRIC STRENGTH: 1,000 VRMS

MECHANICAL

LIFE: 50,000 CYCLES

ENVIRONMENTAL

OPERATING TEMPERATURE: -30°C TO +85°C

MATERIAL

CASE: DAP, UL94V-0  
 HOUSING: STAINLESS STEEL  
 ACTUATOR: GLASS FILLED NYLON  
 BUSHING: BRASS, NICKEL PLATED  
 CONTACT/TERMINALS: COPPER ALLOY, SILVER OR GOLD PLATED

REGULATORY

UL AND CANADA RECOGNIZED COMPONENT. UL/CUL FILE NO. E173084.

PART NUMBER BUILDER:

SERIES	MODEL NO.	ACTUATOR CAP / BUSHING	CAP	FRAME CAP COLOR	TERMINATION	CONTACT PLATING	SEAL	VERTICAL SUPPORT BRACKET
SRSA	- [ ] [ ] [ ] [ ]	- [ ]	[ ]	[ ] [ ]	[ ]	[ ]	[ ]	[ ]
	8702		BLANK C1 C2 C3	BLANK 1 - BLUE 2 - RED 3 - BLACK 4 - BROWN 5 - GREEN 6 - WHITE 7 - GRAY 8 - ORANGE 9 - YELLOW 0 - VIOLET	 B (SOLDER LUG) C (PC MOUNT) A4 (RIGHT ANGLE) (U STD) A5 (RIGHT ANGLE VERTICAL) (U STD) D (QUICK CONNECT) D1 (WIRE WRAP - .750) D2 (WIRE WRAP - .964) D3 (WIRE WRAP - .426) D4 (WIRE WRAP - .650)	Q (SILVER) R (GOLD)	BLANK E (EPOXY)	BLANK S20 S30 S40 S50
	BLANK (KEYWAY, STD-THD) U (KEYWAY, NON-THD) T (FLAT, STD-THD) V (FLAT, NON-THD) F21A F22A F23A							



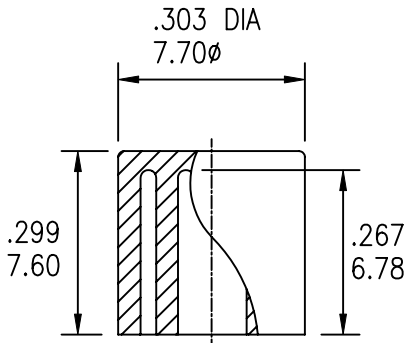
TITLE: PUSHBUTTON SWITCH		PART NO: SRSA-8702-XXXXXX	
DATE: 03/05/01	DRAWN: RB	CHKD:	SCALE: N/A
		SHEET: 2 OF 7	

UNLESS OTHERWISE SPECIFIED, ALL DIMENSIONS ARE IN INCHES [MM].

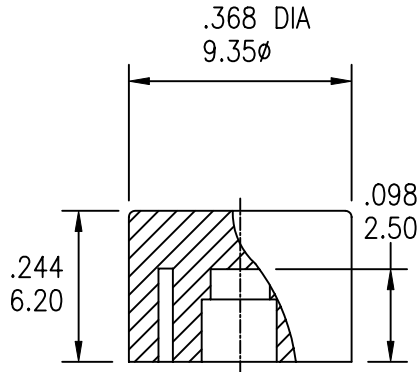
TO 1 DECIMAL PLACE ±.2  
 TO 2 DECIMAL PLACES ±.10  
 AS ANGLES ±

ISSUE	DATE
A	03/23/01
B	09/12/08
C	03/30/09

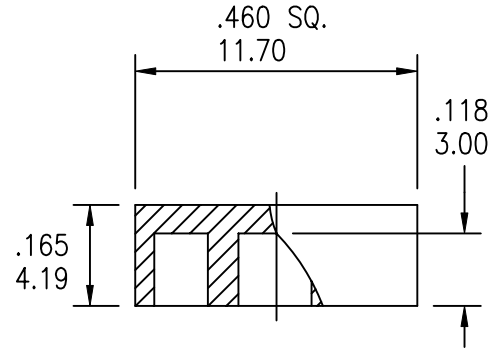
ACTUATOR OPTIONS



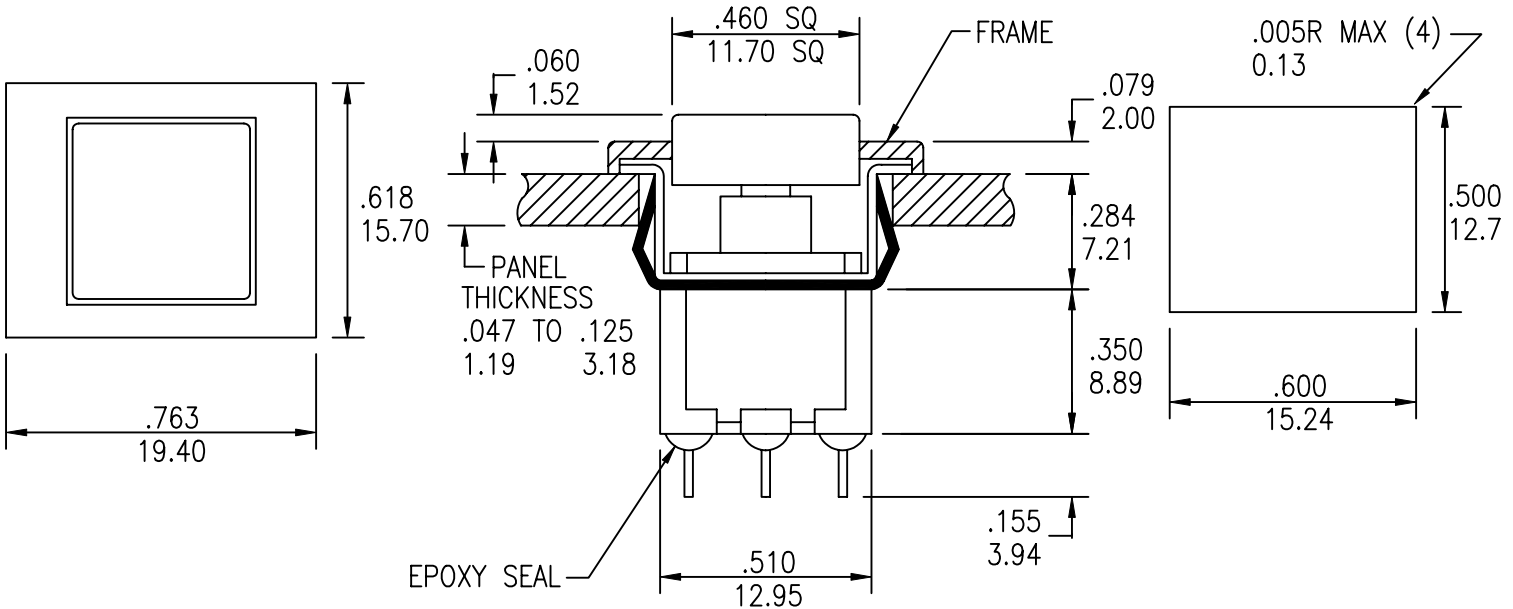
C1



C2



C3



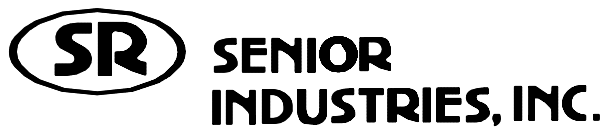
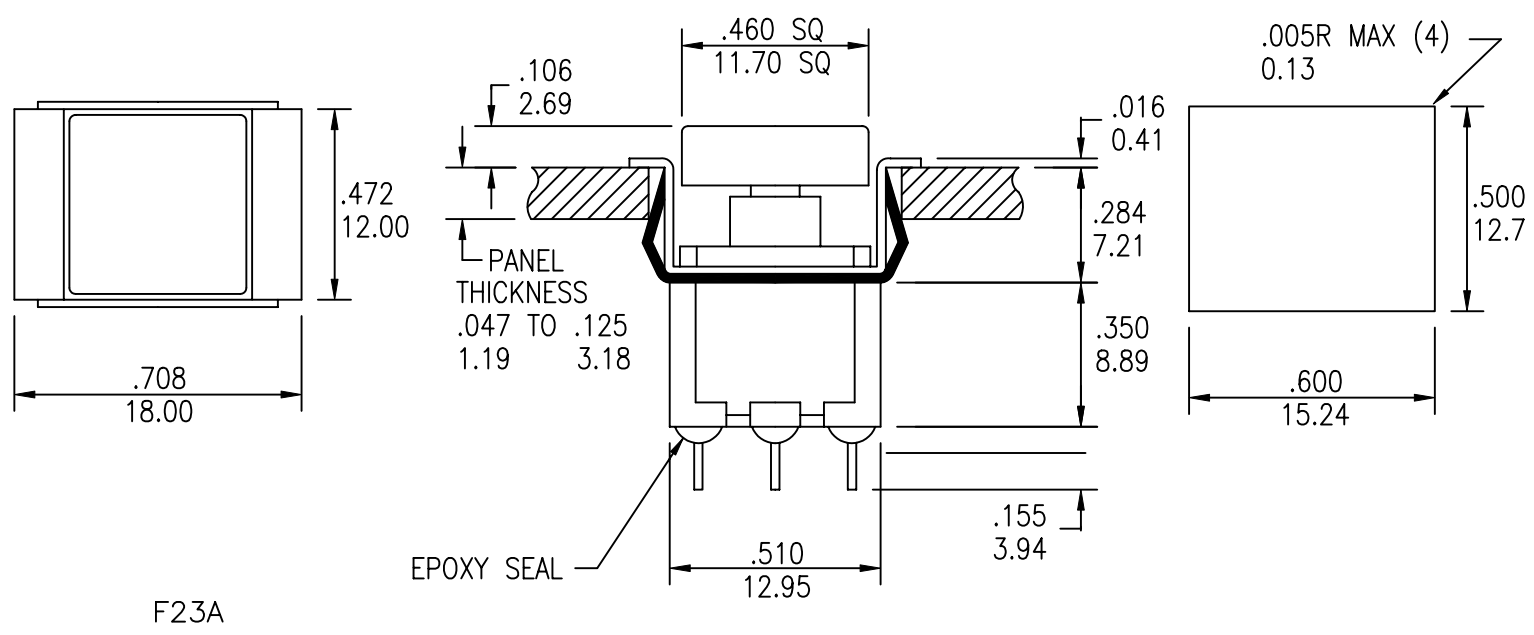
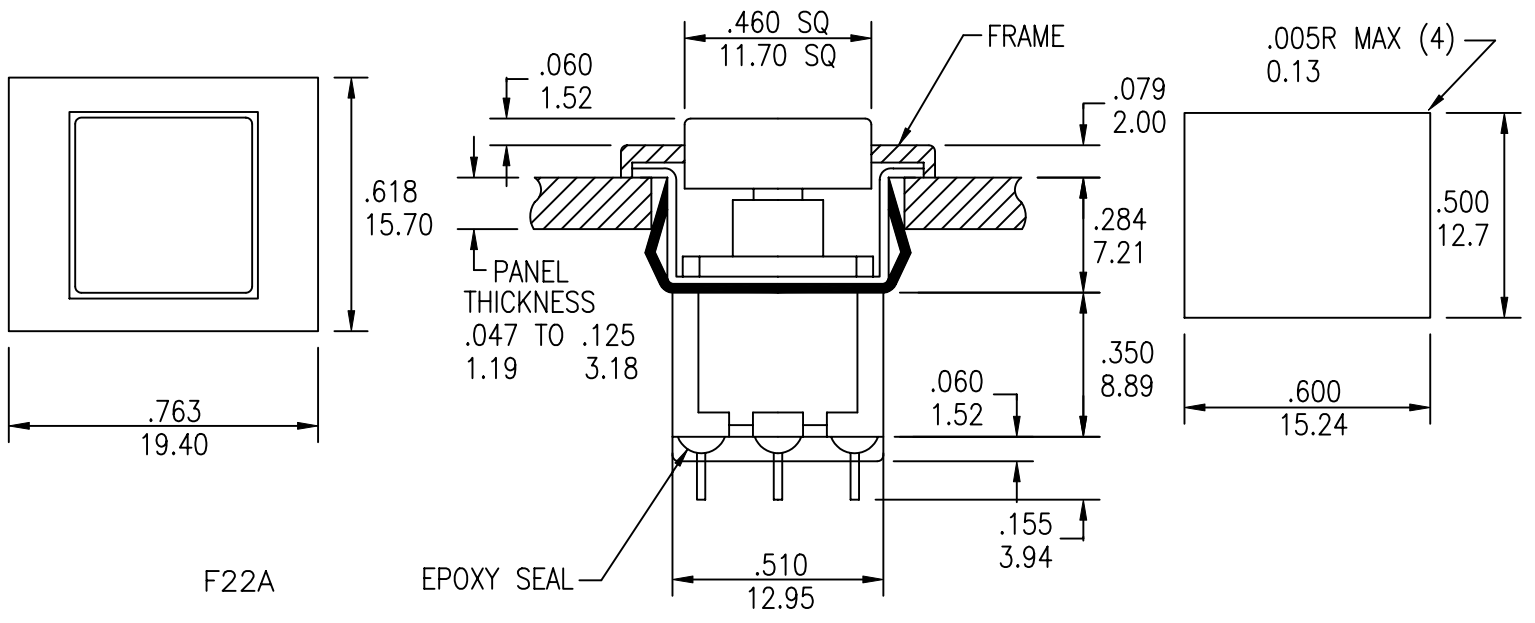
F21A

UNLESS OTHERWISE SPECIFIED, ALL DIMENSIONS ARE IN INCHES [MM].

TO 1 DECIMAL PLACE	±.2
TO 2 DECIMAL PLACES	±.10
AS ANGLES	±

ISSUE	DATE
A	03/23/01
B	09/12/08
C	03/30/09

ACTUATOR OPTIONS



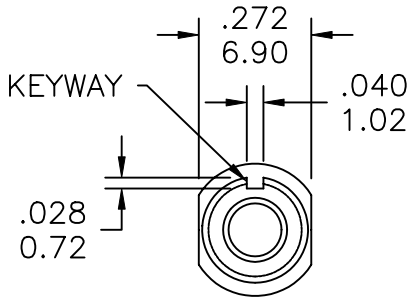
TITLE: PUSHBUTTON SWITCH		PART NO: SRSA-8702-XXXXXX	
DATE: 03/05/01	DRAWN: RB	CHKD:	SCALE: N/A
		SHEET: 4 OF 7	

UNLESS OTHERWISE SPECIFIED, ALL DIMENSIONS ARE IN INCHES [MM].

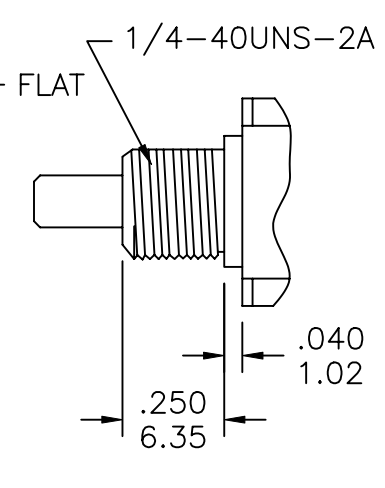
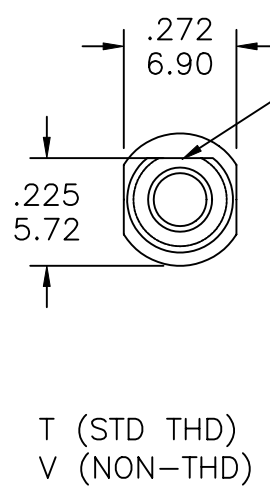
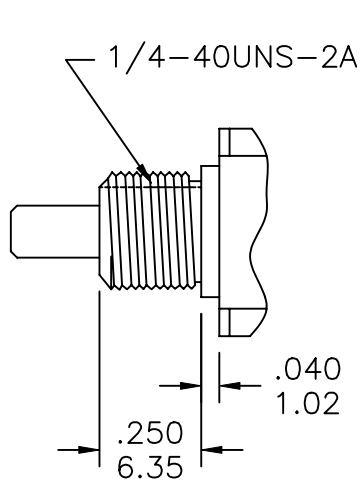
TO 1 DECIMAL PLACE ±.2  
 TO 2 DECIMAL PLACES ±.10  
 AS ANGLES ±

ISSUE	DATE
A	03/23/01
B	09/12/08
C	03/30/09

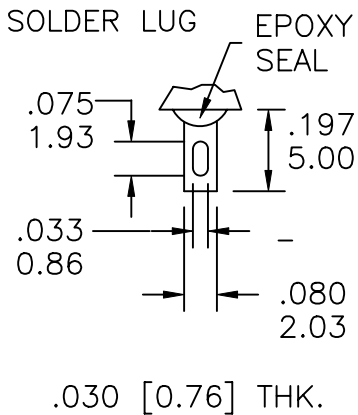
BUSHING OPTIONS



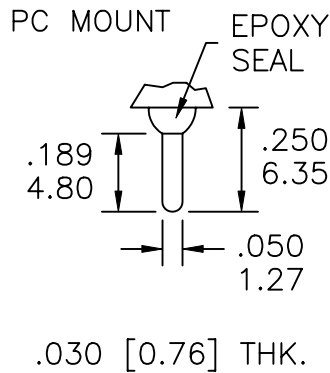
BLANK (STD-THD)  
 U (NON-THD)



TERMINATION OPTIONS

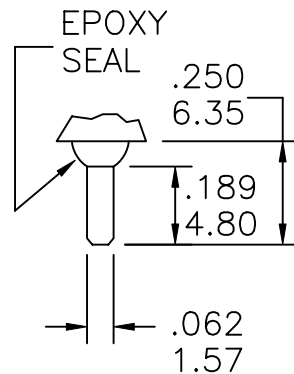


B



C

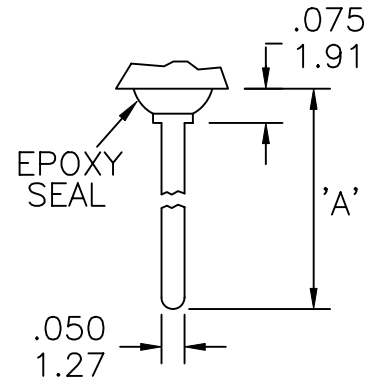
QUICK CONNECT



THK .030 [0.76]

D

WIRE WRAP



THK .030 [0.76]

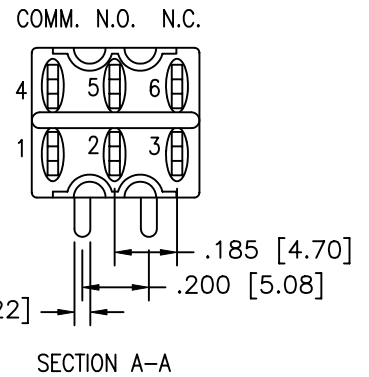
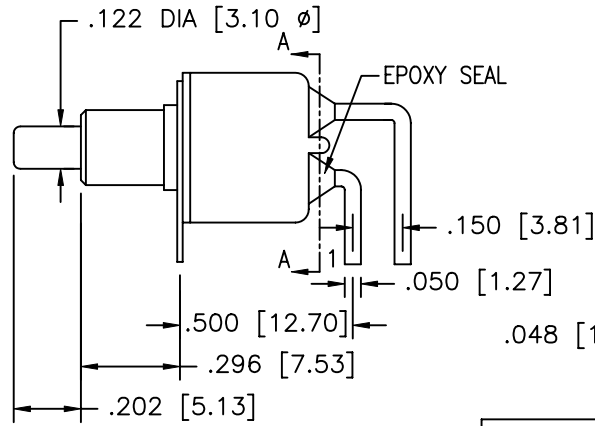
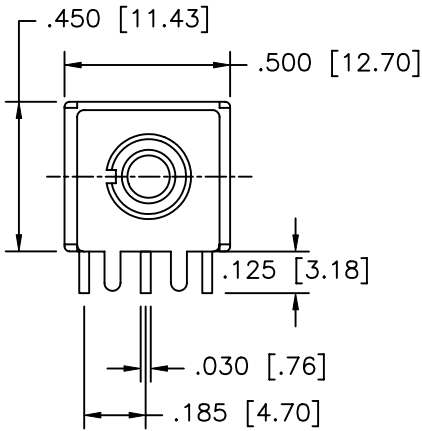
	'A'
D1	.750(19.05)
D2	.964(24.48)
D3	.426(10.80)
D4	.650(16.50)

UNLESS OTHERWISE SPECIFIED, ALL DIMENSIONS ARE IN INCHES [MM].

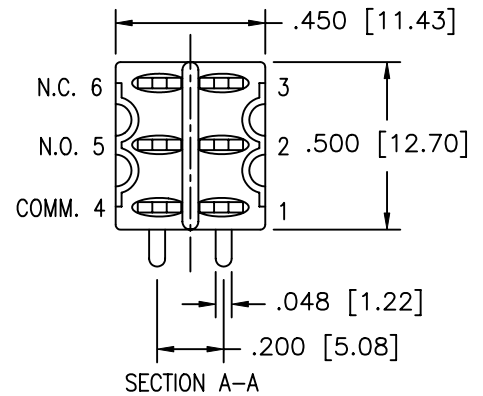
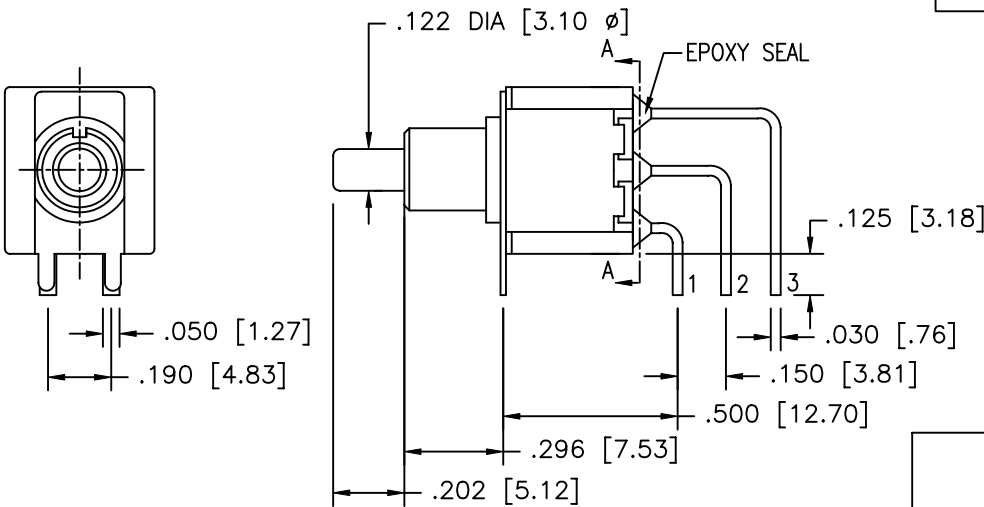
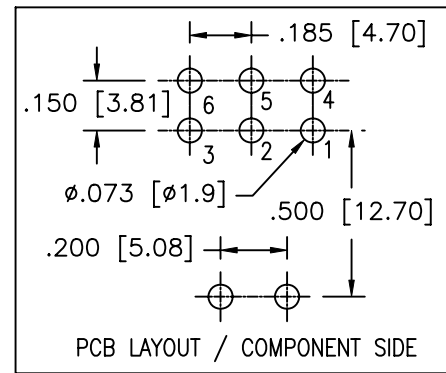
TO 1 DECIMAL PLACE ±.2  
 TO 2 DECIMAL PLACES ±.10  
 AS ANGLES ±

ISSUE	DATE
A	03/23/01
B	09/12/08
C	03/30/09

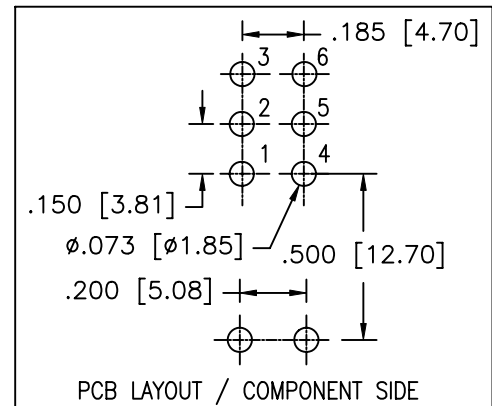
TERMINATION OPTIONS



A4 - RIGHT ANGLE, PC THRU-HOLE  
 SRSA-8702-UA4XE (A4 STD)



A5 - VERTICAL RIGHT ANGLE, PC THRU-HOLE  
 SRSA-8702-UA5XE (A5 STD)

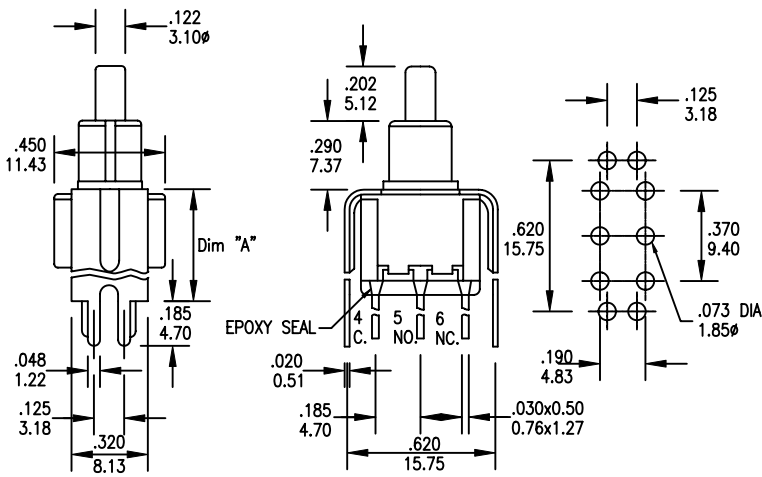


UNLESS OTHERWISE SPECIFIED, ALL DIMENSIONS ARE IN INCHES [MM].

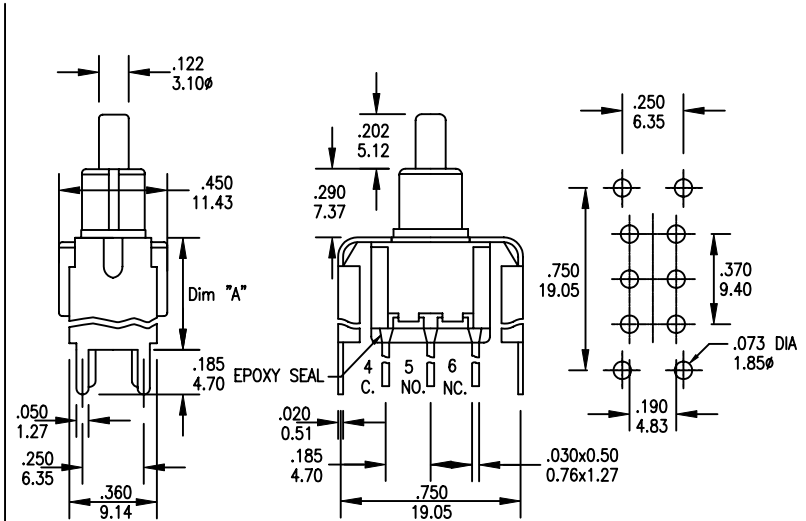
TO 1 DECIMAL PLACE ±.2  
 TO 2 DECIMAL PLACES ±.10  
 AS ANGLES ±

ISSUE	DATE
A	03/23/01
B	09/12/08
C	03/30/09

VERTICAL SUPPORT BRACKET



	Dim "A"
S20	.460 [11.68]
S30	.630 [16.00]



	Dim "A"
S40	.460 [11.68]
S50	.630 [16.00]