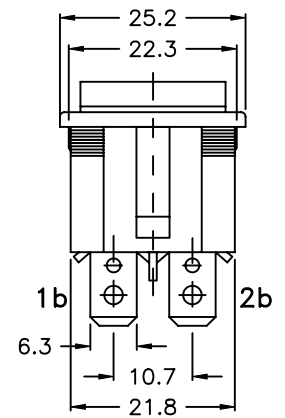
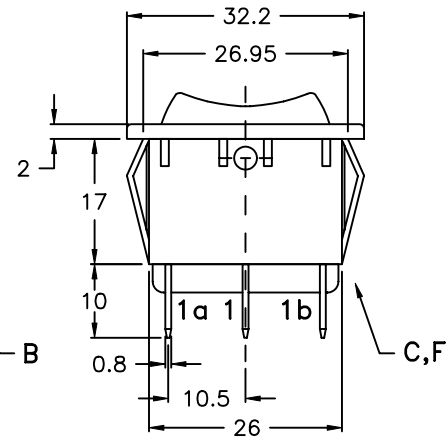
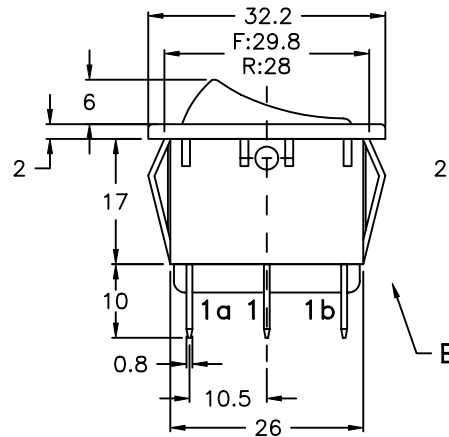
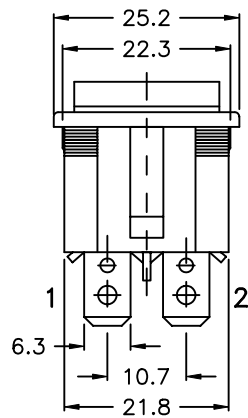
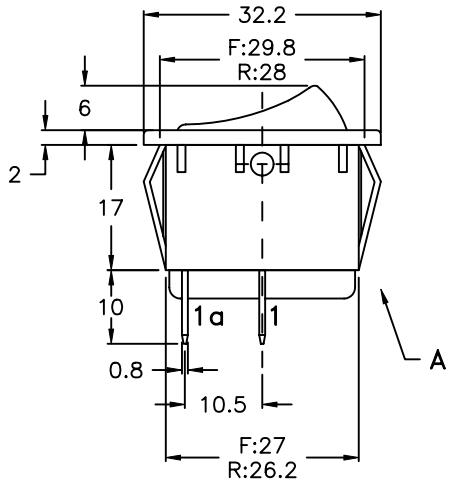
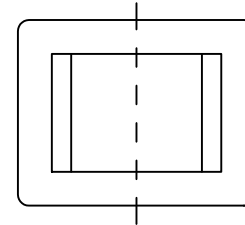
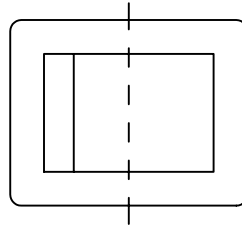
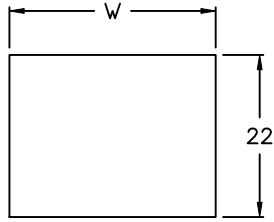
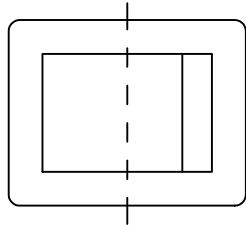


COMPONENT SPECIFICATION

USE OR REPRODUCTION OF THIS DRAWING FOR THE PURPOSE OF MANUFACTURING THIS ARTICLE OR ANY ARTICLES SHOWN FOR ANY PURPOSE IS STRICTLY PROHIBITED WITHOUT WRITTEN PERMISSION FROM SENIOR INDUSTRIES, INC.



MODEL NO.	SWITCHING TYPE	SCHEMATIC:
R905	DPST ON-OFF (ILLUMINATED)	
R905A	DPST ON-OFF	

R	W	PANEL THICK	F	W	PANEL THICK
	28.0	0.75-1.25		30.0	0.75-1.25
	28.2	1.25-2.0		30.2	1.25-2.0
	28.5	2.0-3.0		30.5	2.0-3.0
	(0)			(1)	

SEPARATING WALL

DPST
DPDT

MODEL NO.	SWITCHING TYPE	SCHEMATIC:
R905B	DPDT ON-ON	
R905C	DPDT ON-OFF-ON	
R905F	DPDT (ON)-ON	



SENIOR INDUSTRIES, INC.

DESIGNED:			SYM.	DATE:	DESCRIPTION OF REVISIONS:	DRAWN:	APPD:	TOLERANCE:	PART NO:	SRPR-R905X-XX						
DRAWN:	GAT	09/27/05	▲	09.27.05	NEW	GAT	JF				TO 1 DECIMAL PLACE: ±.4	TITLE:	POWER ROCKER SWITCH			
CHECKED:	GAT	11/02/05	▲	.	.									TO 2 DECIMAL PLACES: ±.25	SHEET:	1 OF 2
APPROVED:	JF	11/02/05	▲	.	.											
3RD ANGLE		UNIT:	mm	SCALE:	1:1	REV.	A	AS ANGLES:	±1/2°							

1

2

3

4

5

COMPONENT SPECIFICATION

USE OR REPRODUCTION OF THIS DRAWING FOR THE PURPOSE OF MANUFACTURING THIS ARTICLE OR ANY ARTICLES SHOWN FOR ANY PURPOSE IS STRICTLY PROHIBITED WITHOUT WRITTEN PERMISSION FROM SENIOR INDUSTRIES, INC.

SPECIFICATIONS

ELECTRICAL:

CONTACT RATING: 10A 125VAC/250VAC
16A 250VAC
CONTACT RESISTANCE: 30 MILLIOHMS MAX.
INSULATION RESISTANCE: 100 MEGOHMS MIN. @ 500 VDC
DIELECTRIC STRENGTH: 2000 VAC FOR 1 MINUTE

MECHANICAL:

OPERATING LIFE: 10,000 CYCLES
OPERATING FORCE: 800g ±300g

ENVIRONMENTAL:

OPERATING TEMPERATURE: -25°C TO +85°C
SOLDERING: 280°C FOR 3 SEC.




MATERIAL:

HOUSING AND ACTUATOR: NYLON 66, UL94V-2
CONTACT: COPPER, SILVER PLATED
TERMINALS: BRASS, SILVER PLATED

REGULATORY:


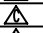
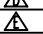
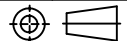
UL AND CANADA RECOGNIZED COMPONENT. UL/CUL FILE NO. E173084.

PART NUMBER BUILDER:

SERIES	MODEL NO.	ACTUATOR COLOR	HOUSING COLOR
SRPR -		- 	- 
	R905	1 - BLUE	1 - BLUE
	R905A	2 - RED	2 - RED
	R905B	3 - BLACK (STD)	3 - BLACK (STD)
	R905C	4 - BROWN	4 - BROWN
	R905F	5 - GREEN	5 - GREEN
		6 - WHITE	6 - WHITE
		7 - GRAY	7 - GRAY
		8 - ORANGE	8 - ORANGE
		9 - YELLOW	9 - YELLOW
		0 - VIOLET	0 - VIOLET



SENIOR INDUSTRIES, INC.

DESIGNED:			SYM.	DATE:	DESCRIPTION OF REVISIONS:	DRAWN:	APPD:	TOLERANCE:	PART NO:	SRPR-R905X-XX
DRAWN:	GAT	09/27/05		09.27.05	NEW	GAT	JF	TO 1 DECIMAL PLACE: ±	TITLE:	POWER ROCKER SWITCH
CHECKED:	GAT	11/02/05		.	.			TO 2 DECIMAL PLACES: ±	SHEET:	2 OF 2
APPROVED:	JF	11/02/05		.	.			AS ANGLES: ± °		
3RD ANGLE		UNIT:	mm	SCALE:		REV.	A			