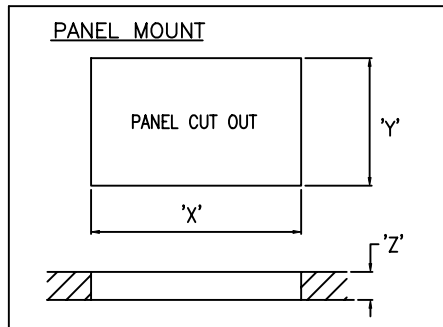


COMPONENT SPECIFICATION

USE OR REPRODUCTION OF THIS DRAWING FOR THE PURPOSE OF MANUFACTURING THIS ARTICLE OR ANY ARTICLES SHOWN FOR ANY PURPOSE IS STRICTLY PROHIBITED WITHOUT WRITTEN PERMISSION FROM SENIOR INDUSTRIES, INC.

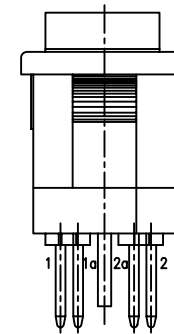
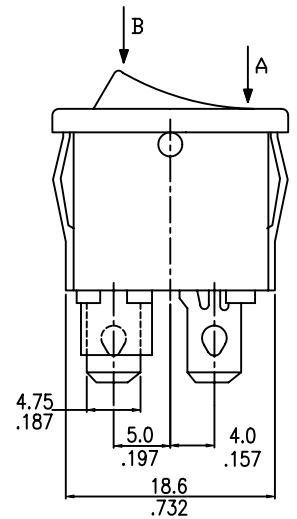
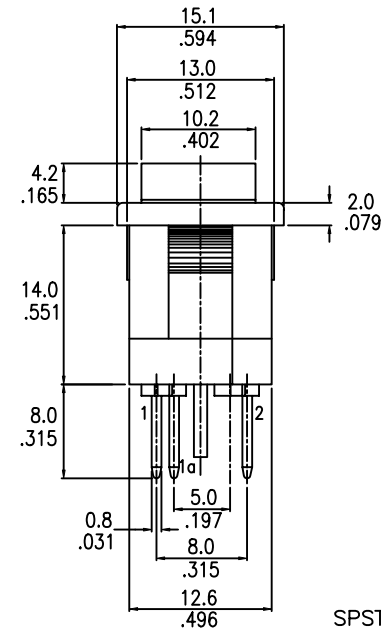
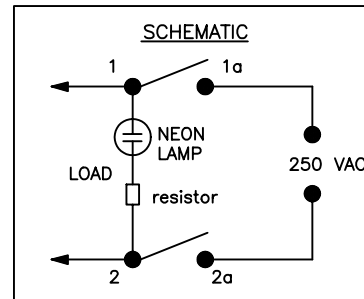
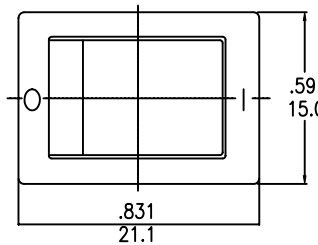
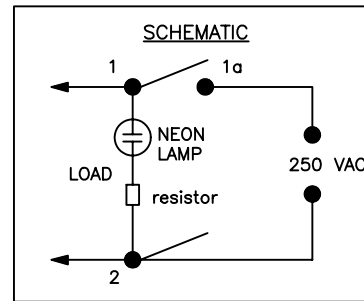
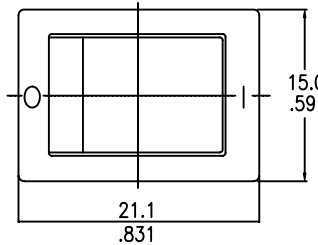
NOTE: NEON BULB (COLOR: ILLUMINATION)  
 SPECIFICATIONS:  
 LAMP VOLTAGE (V): 250 VAC MAX.  
 STARTUP VOLTAGE (Vs): 95 V MAX.  
 CURRENT (I): 0.9 mA MAX.  
 SERIES RESISTANCE (R): 270 KΩ MAX.

POLE FUNCTION	OPTIONS OF FUNCTION		
	A: ON	-	B
SPST	1-1a	-	OFF
DPST	1-1a 2-2a	-	OFF

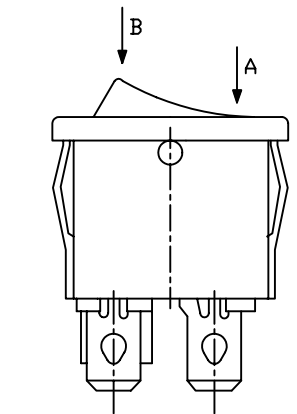


DIM 'X'	DIM 'Y'	PANEL THICKNESS 'Z'
19.2~19.3 [.756~.760]	12.8~12.9 [.504~.508]	.7~1.25 [.028~.049]
19.3~19.4 [.760~.764]	12.8~12.9 [.504~.508]	1.25~2.0 [.049~.079]
19.5~19.6 [.768~.772]	12.8~12.9 [.504~.508]	2.0~3.0 [.079~.118]

MODEL NO.	SWITCHING TYPE
R1944A	SPST ILLUMINATED ON-OFF
R1944B	DPST ON-OFF
R1944C	DPST ILLUMINATED ON-OFF



DPST



**SENIOR INDUSTRIES, INC.**

DESIGNED:			SYM.	DATE:	DESCRIPTION OF REVISIONS:	DRAWN:	APPD:
DRAWN:	RB	03/05/01	▲	03.19.01	New	RB	JF
CHECKED:	GAT	11/02/05	▲	10.08.04	Added a fourth terminal	GAT	TF
APPROVED:	JF	11/02/05	▲	09.29.05	Gen dwg updated, Schematic, Spec corr	GAT	JF
			▲	.	.		

TOLERANCE:	PART NO:
TO 1 DECIMAL PLACE: ±.4	SRPR-R1944X-XX
TO 2 DECIMAL PLACES: ±.25	TITLE: POWER ROCKER SWITCH
AS ANGLES: ±1/2°	SHEET: 1 OF 2

3RD ANGLE		UNIT: mm[IN]	SCALE: 2:1	REV. C
-----------	--	--------------	------------	--------

1

2

3

4

5

COMPONENT SPECIFICATION

USE OR REPRODUCTION OF THIS DRAWING FOR THE PURPOSE OF MANUFACTURING THIS ARTICLE OR ANY ARTICLES SHOWN FOR ANY PURPOSE IS STRICTLY PROHIBITED WITHOUT WRITTEN PERMISSION FROM SENIOR INDUSTRIES, INC.

SPECIFICATIONS

ELECTRICAL

CONTACT RATING: 9A @ 125VAC, 6A @ 250VAC  
CONTACT RESISTANCE: 20 MILLIOHMS MAX.  
INSULATION RESISTANCE: 1,000 MEGOHMS MIN. AT 500 VDC  
DIELECTRIC STRENGTH: 1,500 VRMS FOR 1 MINUTE

MECHANICAL

LIFE: 10,000 CYCLES  
OPERATING FORCE: 900 ±300g

ENVIRONMENTAL

OPERATING TEMPERATURE: -30°C TO +85°C  
SOLDERABILITY: 350°C, 3 SEC.

MATERIAL

HOUSING: NYLON 66, UL94V-2  
ACTUATOR: POLYCARBONATE  
CONTACT: COPPER ALLOY, SILVER PLATED  
TERMINALS: BRASS, SILVER PLATED  
CONTACT SPRING: MUSIC WIRE

REGULATORY

UL AND CANADA RECOGNIZED COMPONENT. UL/CUL FILE NO. E173084.

PART NUMBER BUILDER:

SERIES	MODEL NO.	ACTUATOR COLOR	HOUSING COLOR
SRPR -	<input type="text"/>	<input type="text"/>	<input type="text"/>
	R1944A	1 - BLUE	1 - BLUE
	R1944B	2 - RED (STD)	2 - RED
	R1944C	3 - BLACK	3 - BLACK (STD)
		4 - BROWN	4 - BROWN
		5 - GREEN	5 - GREEN
		6 - WHITE	6 - WHITE
		7 - GRAY	7 - GRAY
		8 - ORANGE	8 - ORANGE
		9 - YELLOW	9 - YELLOW
		0 - VIOLET	0 - VIOLET



**SENIOR INDUSTRIES, INC.**

DESIGNED:			SYM.	DATE:	DESCRIPTION OF REVISIONS:	DRAWN:	APPD:	TOLERANCE:	PART NO:	SRPR-R1944X-XX
DRAWN:	RB	03/05/01		03.19.01	New	RB	JF	TO 1 DECIMAL PLACE: ±	TITLE:	POWER ROCKER SWITCH
CHECKED:	GAT	11/02/05		10.08.04	Added a fourth terminal	GAT	TF			
APPROVED:	JF	11/02/05		09.29.05	Gen dwg updated, Schematic, Spec corr	GAT	JF	AS ANGLES: ± °	SHEET:	2 OF 2
3RD ANGLE		UNIT:	mm[IN]	SCALE:	REV.	C				