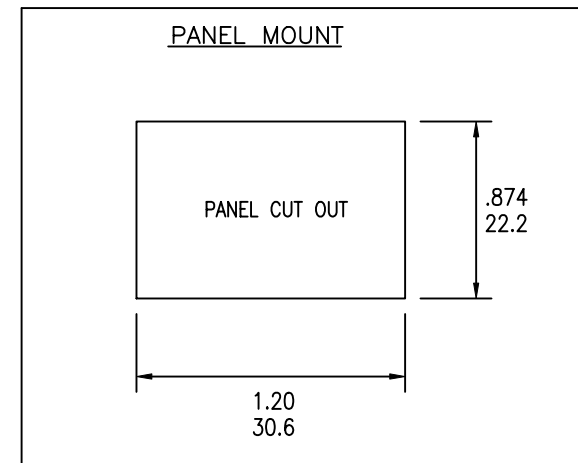
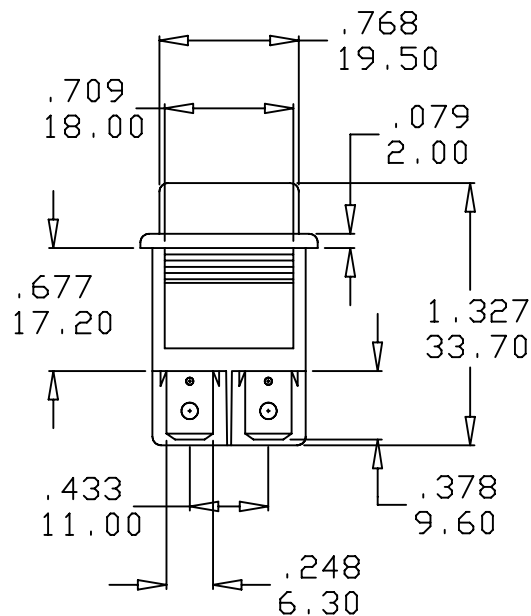
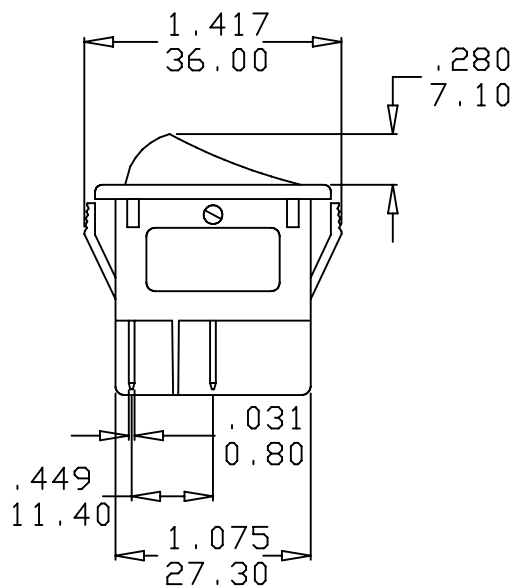
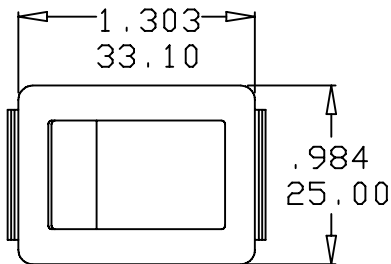


COMPONENT SPECIFICATION

USE OR REPRODUCTION OF THIS DRAWING FOR THE PURPOSE OF MANUFACTURING THIS ARTICLE OR ANY ARTICLES SHOWN FOR ANY PURPOSE IS STRICTLY PROHIBITED WITHOUT WRITTEN PERMISSION FROM SENIOR INDUSTRIES, INC.



CIRCUIT	SWITCHING TYPE
DPST	ON - OFF



DESIGNED:			SYM.	DATE:	DESCRIPTION OF REVISIONS:	DRAWN:	APPD:	TOLERANCE:	PART NO:	SRPR-923-XX
DRAWN:	RB	10/10/01	△	10.10.01	NEW	RB	JF			
CHECKED:	GAT	10/22/04	△	10.29.04	New Ind.Ch 15A to 20A & 10A to 16A on Contact Rating	GAT	TF	TO 2 DECIMAL PLACES: ±.10	SHEET:	1 OF 2
APPROVED:	TF	10/29/04	△							
3RD ANGLE		UNIT:	IN(mm)	SCALE:	2:1	REV:	B			

1

2

3

4

5

COMPONENT SPECIFICATION

USE OR REPRODUCTION OF THIS DRAWING FOR THE PURPOSE OF MANUFACTURING THIS ARTICLE OR ANY ARTICLES SHOWN FOR ANY PURPOSE IS STRICTLY PROHIBITED WITHOUT WRITTEN PERMISSION FROM SENIOR INDUSTRIES, INC.

SPECIFICATIONS

ELECTRICAL

CONTACT RATING: 20A @ 125VAC, 16A @ 250VAC
CONTACT RESISTANCE: 30 MILLIOHMS MAX.
INSULATION RESISTANCE: 1,000 MEGOHMS MIN. AT 500 VDC
DIELECTRIC STRENGTH: 1,000 VRMS

MECHANICAL

LIFE: 10,000 CYCLES

ENVIRONMENTAL

OPERATING TEMPERATURE: -30°C TO +85°C

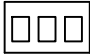


MATERIAL

HOUSING: NYLON 6/6, UL 94V-0
ACTUATOR: POLYCARBONATE
CONTACT/TERMINALS: COPPER ALLOY, SILVER PLATED

REGULATORY:

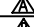
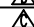
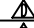
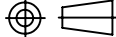
UL AND CANADA RECOGNIZED COMPONENT. UL/CUL FILE NO. E173084.

PART NUMBER BUILDER:

SERIES	MODEL NO.	ACTUATOR COLOR	HOUSING COLOR
SRPR -		- 	
	923	1 - BLUE 2 - RED 3 - BLACK 4 - BROWN 5 - GREEN 6 - WHITE 7 - GRAY 8 - ORANGE 9 - YELLOW 0 - VIOLET	1 - BLUE 2 - RED 3 - BLACK 4 - BROWN 5 - GREEN 6 - WHITE 7 - GRAY 8 - ORANGE 9 - YELLOW 0 - VIOLET



SENIOR INDUSTRIES, INC.

DESIGNED:			SYM.	DATE:	DESCRIPTION OF REVISIONS:	DRAWN:	APPD:	TOLERANCE:	PART NO:	SRPR-923-XX
DRAWN:	RB	10/10/01		10.10.01	NEW	RB	JF			
CHECKED:	GAT	10/22/04		10.29.04	New Ind.Ch 15A to 20A & 10A to 16A on Contact Rating	GAT	TF	TO 1 DECIMAL PLACE: ±.2	TITLE:	POWER ROCKER SWITCH
APPROVED:	TF	10/29/04		.	.			TO 2 DECIMAL PLACES: ±.10		
3RD ANGLE		UNIT:	IN(mm)	SCALE:	2:1	REV:	B	AS ANGLES: ±	SHEET:	2 OF 2