

COMPONENT SPECIFICATION

USE OR REPRODUCTION OF THIS DRAWING FOR THE PURPOSE OF MANUFACTURING THIS ARTICLE OR ANY ARTICLES SHOWN FOR ANY PURPOSE IS STRICTLY PROHIBITED WITHOUT WRITTEN PERMISSION FROM SENIOR INDUSTRIES, INC.

SPECIFICATIONS

ELECTRICAL

CIRCUIT: SPST
 CONTACT RATING: 1A @ 250 VAC, 3A @ 125 VAC
 CONTACT RESISTANCE: 20 MILLIOHMS MAX.
 INSULATION RESISTANCE: 100 MEGOHMS MIN @ 500 VDC
 DIELECTRIC STRENGTH: 1,500 VRMS

MECHANICAL

OPERATING LIFE: 50,000 CYCLES

ENVIRONMENTAL

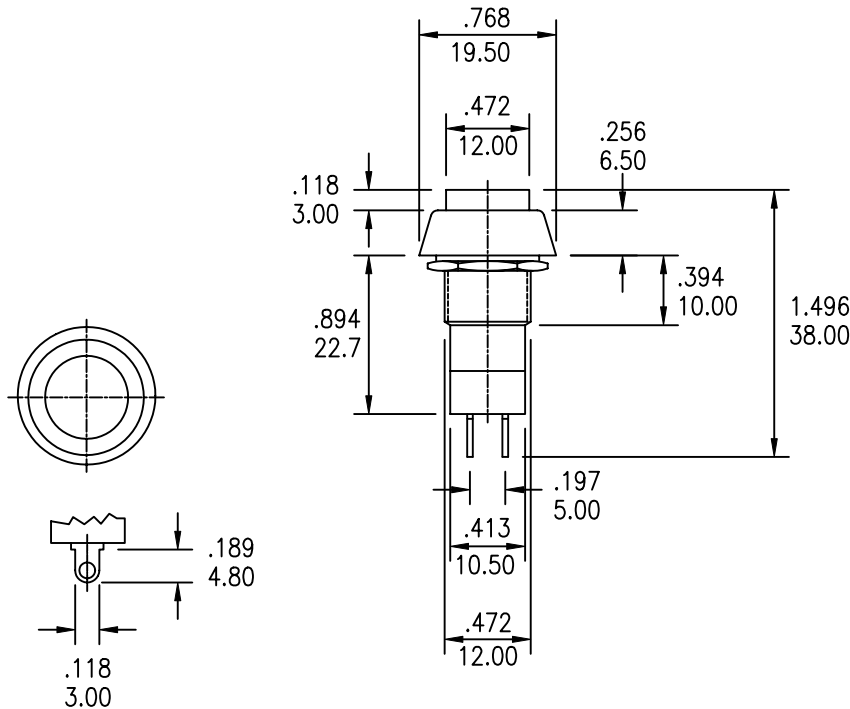
OPERATING TEMPERATURE: -30°C TO +85°C



MATERIAL

CASE: PMC
 ACTUATOR: GLASS FILLED NYLON
 BUSHING: ABS
 CONTACTS/TERMINALS: COPPER ALLOY, SILVER PLATED

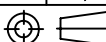
PART NUMBER BUILDER:

SERIES	MODEL NO.	CAP COLOR
SRP -	<input type="text"/> <input type="text"/> <input type="text"/> <input type="text"/> <input type="text"/> <input type="text"/>	<input type="text"/>
	R18-25A	1 - BLUE
	R18-25B	2 - RED (STD)
	R18-25C	3 - BLACK
		4 - BROWN
		5 - GREEN
		6 - WHITE
		7 - GRAY
		8 - ORANGE
		9 - YELLOW
		0 - VIOLET



MODEL NO.	SWITCHING POSITION		(LOCK)
			
R18-25A	OFF	ON	
R18-25B	OFF	MOM	
R18-25C	ON	MOM	



DESIGNED:			SYM.	DATE:	DESCRIPTION OF REVISIONS:	DRAWN:	APPD:	TOLERANCE:	PART NO:	SRP-R18-25X-X
DRAWN:	RB	03/05/01	▲	03.05.01	New	RB	JF	TO 1 DECIMAL PLACE: ±.2 TO 2 DECIMAL PLACES: ±.10	TITLE:	PUSHBUTTON SWITCH
CHECKED:	GAT	01/30/07	▲	10.28.04	New indx, ch dim .207 to .413 & Au pl in Ag pl on term.	GAT	JF			
APPROVED:	JF	01/30/07	▲	01.30.07	New indicator; Corr'd Bushing and case material	GAT	JF	AS ANGLES: ±1/2"	SHEET:	1 OF 1
			▲	01.17.11	Removed UL94V-0 from case material spec	MAW	JF			
3RD ANGLE		UNIT:	IN/mm	SCALE:	2:1	REV:	D			