

COMPONENT SPECIFICATION

USE OR REPRODUCTION OF THIS DRAWING FOR THE PURPOSE OF MANUFACTURING THIS ARTICLE OR ANY ARTICLES SHOWN FOR ANY PURPOSE IS STRICTLY PROHIBITED WITHOUT WRITTEN PERMISSION FROM SENIOR INDUSTRIES, INC.

SPECIFICATIONS

ELECTRICAL

CIRCUIT: SPST
 CONTACT RATING: 1A @ 250 VAC, 3A @ 125 VAC
 CONTACT RESISTANCE: 20 MILLIOHMS MAX.
 INSULATION RESISTANCE: 100 MEGOHMS MIN @ 500 VDC
 DIELECTRIC STRENGTH: 1,500 VRMS

MECHANICAL

OPERATING LIFE: 50,000 CYCLES

ENVIRONMENTAL

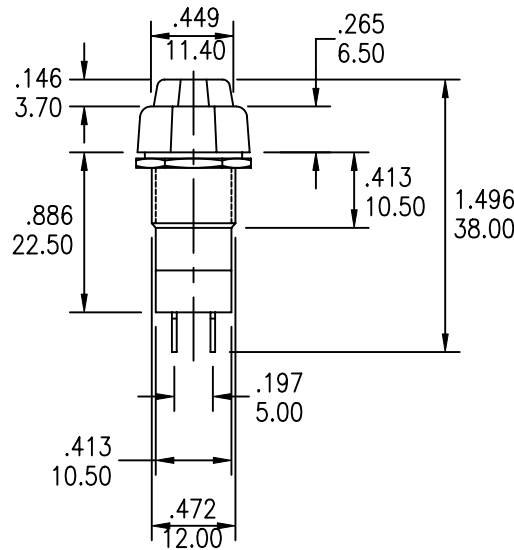
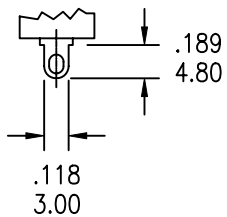
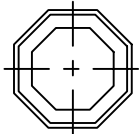
OPERATING TEMPERATURE: -30°C TO +85°C



MATERIAL

CASE: PMC
 ACTUATOR: GLASS FILLED NYLON
 BUSHING: ABS
 CONTACTS/TERMINALS: COPPER ALLOY, SILVER PLATED

PART NUMBER BUILDER:

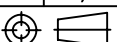
SERIES	MODEL NO.	CAP COLOR
SRP -	<input type="text"/> <input type="text"/> <input type="text"/> <input type="text"/> <input type="text"/>	<input type="text"/>
	R18-24A	1 - BLUE
	R18-24B	2 - RED (STD)
		3 - BLACK
		4 - BROWN
		5 - GREEN
		6 - WHITE
		7 - GRAY
		8 - ORANGE
		9 - YELLOW
		0 - VIOLET



MODEL NO.	SWITCHING POSITION	
		
R18-24A	OFF	ON
R18-24B	OFF	MOM



SENIOR INDUSTRIES, INC.

DESIGNED:			SYM.	DATE:	DESCRIPTION OF REVISIONS:	DRAWN:	APPD:	TOLERANCE:	PART NO:	SRP-R18-24X-X
DRAWN:	RB	03/05/01	▲	03.23.01	New	RB	JF	TO 1 DECIMAL PLACE: ±.2 TO 2 DECIMAL PLACES: ±.10	TITLE:	PUSHBUTTON SWITCH
CHECKED:	GAT	01/30/07	▲	01.30.07	New indicator; Corr'd Bushing and case material	GAT	JF			
APPROVED:	JF	01/30/07	▲	.	Removed UL94V-0 from case material	MAW	JF	AS ANGLES:	SHEET:	1 OF 1
3RD ANGLE			UNIT:	IN/mm	SCALE:	2:1	REV:	C		