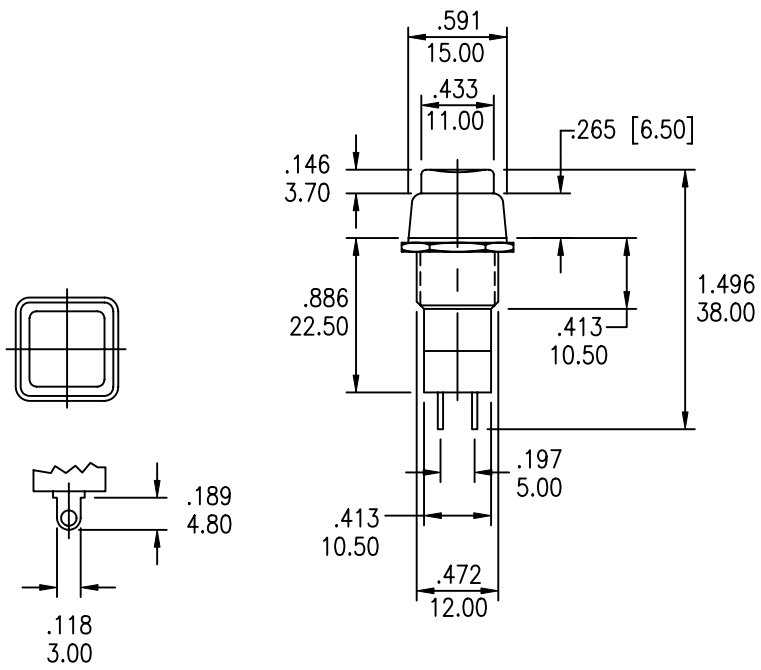


1 | 2 | 3 | 4 | 5

COMPONENT SPECIFICATION | USE OR REPRODUCTION OF THIS DRAWING FOR THE PURPOSE OF MANUFACTURING THIS ARTICLE OR ANY ARTICLES SHOWN FOR ANY PURPOSE IS STRICTLY PROHIBITED WITHOUT WRITTEN PERMISSION FROM SENIOR INDUSTRIES, INC.



SPECIFICATIONS

ELECTRICAL

CONTACT RATING: 1A @ 125 VAC  
 CONTACT RESISTANCE: 20 MILLIOHMS MAX.  
 INSULATION RESISTANCE: 100 MEGOHMS MIN @ 500 VDC  
 DIELECTRIC STRENGTH: 1,500 VRMS

MECHANICAL

OPERATING LIFE: 30,000 CYCLES

ENVIRONMENTAL



OPERATING TEMPERATURE: -30°C TO +85°C

MATERIAL

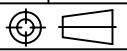
CASE: PMC  
 ACTUATOR: GLASS FILLED NYLON  
 BUSHING: ABS  
 CONTACTS/TERMINALS: COPPER ALLOY, SILVER PLATED

PART NUMBER BUILDER:

SERIES	MODEL NO.	CAP COLOR
SRP -	□□□□□	- □
	R18-23A	1 - BLUE
	R18-23B	2 - RED (STD)
	R18-23C	3 - BLACK
		4 - BROWN
		5 - GREEN
		6 - WHITE
		7 - GRAY
		8 - ORANGE
		9 - YELLOW
		0 - VIOLET

MODEL NO.	SWITCHING POSITION	
		
R18-23A	OFF	ON
R18-23B	OFF	MOM
R18-23C	ON	MOM



DESIGNED:	DRAWN:	CHECKED:	APPROVED:	SYM.	DATE:	DESCRIPTION OF REVISIONS:	DRAWN:	APPD:	TOLERANCE:	PART NO:	TITLE:	SHEET:
	RB	GAT	JF	▲	03.23.01	New	RB	JF	TO 2 DECIMAL PLACE: ±.02 TO 3 DECIMAL PLACES: ±.005	SRP-R18-23X-X	PUSHBUTTON SWITCH	1 OF 1
				▲	06.10.03	Corr body height from 3.25 to .265[6.50]	RB	TF				
				▲	10.18.05	Contact/term pl.corr fr.Au to Ag, Op Life fr 50Kto30K,Opt C add.	GAT	JF				
				▲	01.30.07	New indicator, corr bushing and case material	GAT	JF				
				▲	01.18.11	Removed UL94V-0 from case material	MAW	JF				
<b>3RD ANGLE</b>		UNIT:	IN/mm	SCALE:	2:1	REV:	E	AS ANGLES:	±1/2'			