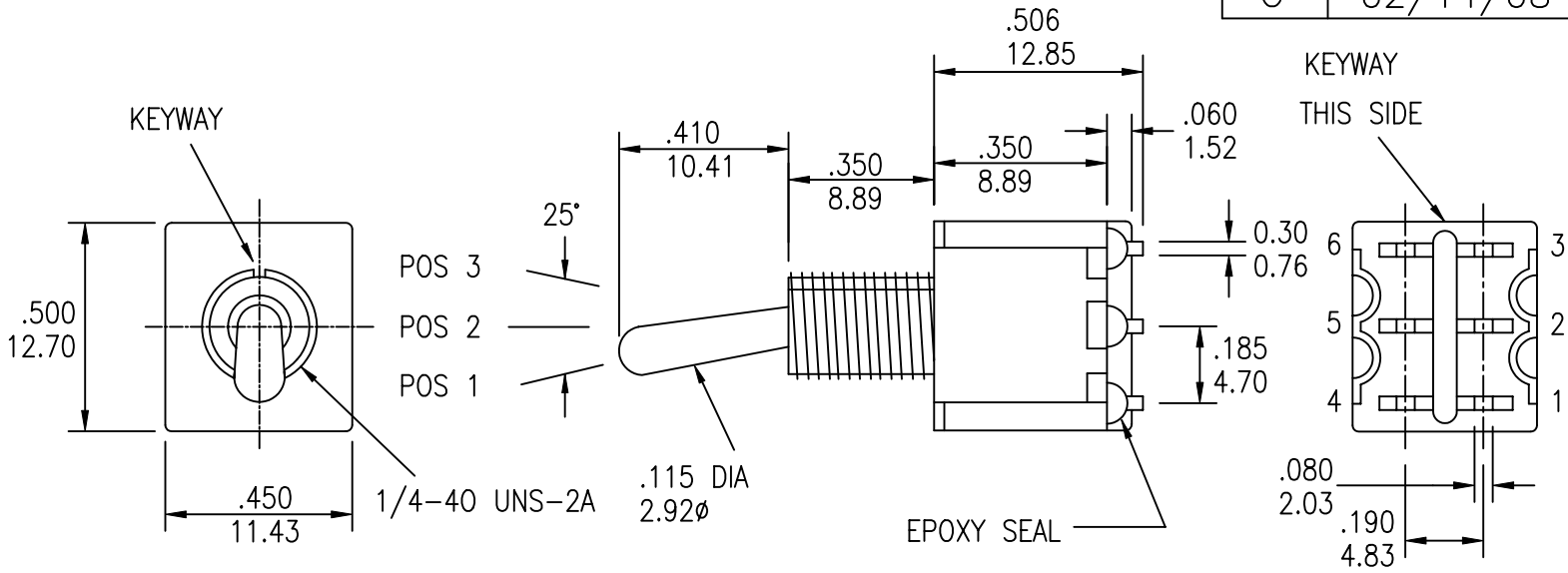


UNLESS OTHERWISE SPECIFIED, ALL DIMENSIONS ARE IN INCHES [MM].

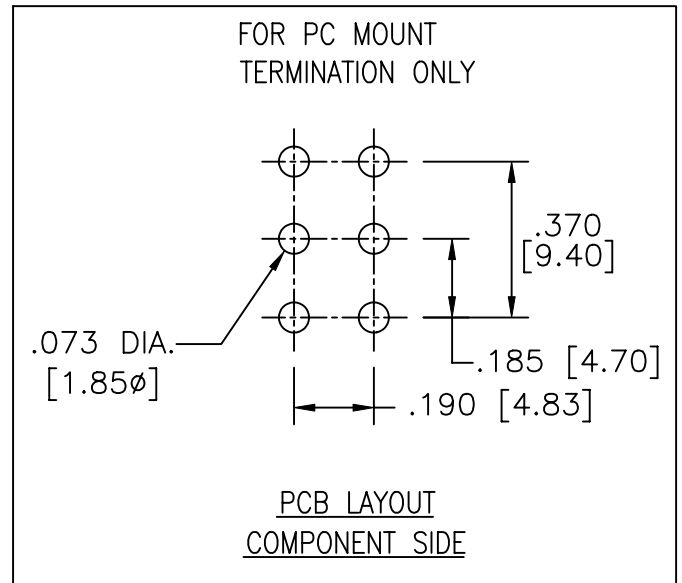
TO 1 DECIMAL PLACE ±.2
 TO 2 DECIMAL PLACES ±.10
 AS ANGLES ±

ISSUE	DATE
A	03/05/01
B	09/29/04
C	02/14/08



MODEL NO.	SWITCHING POSITION		
8011	ON	NONE	ON
8011A	ON	NONE	MOM
8012	ON	OFF	ON
8012A	MOM	OFF	MOM
8012B	ON	OFF	MOM
8012C	ON	ON	ON
CONN. TERMS	2-3 5-6	OPEN	2-1 5-4
SCHMATIC			

NON-SHORTING TYPE



UNLESS OTHERWISE SPECIFIED, ALL DIMENSIONS ARE IN INCHES [MM].

TO 1 DECIMAL PLACE ±.2
 TO 2 DECIMAL PLACES ±.10
 AS ANGLES ±

ISSUE	DATE
A	03/05/01
B	09/29/04
C	02/14/08

SPECIFICATIONS

ELECTRICAL

CONTACT RATING:

SILVER: 5A @ 120 VAC OR 28 VDC, 2A @ 250 VAC
 GOLD: 0.4 VA MAX. @ 20 V MAX. (AC OR DC)

CONTACT RESISTANCE: 10 MILLIOHMS MAX.

INSULATION RESISTANCE: 1,000 MEGOHMS MIN. AT 500 VDC

DIELECTRIC STRENGTH: 1,000 VRMS

MECHANICAL

LIFE: 40,000 CYCLES

ENVIRONMENTAL

OPERATING TEMPERATURE: -30°C TO +85°C

MATERIAL

CASE: DAP, UL94V-0

HOUSING: STAINLESS STEEL

ACTUATOR: BRASS, CHROME PLATED

BUSHING: BRASS, NICKEL PLATED

SUPPORT: BRASS, TIN PLATED

CONTACT/TERMINALS: COPPER ALLOY, SILVER OR GOLD PLATED

PART NUMBER BUILDER:

SERIES	MODEL NO.	ACTUATOR	BUSHING	TERMINATION	CONTACT PLATING	SEAL	VERTICAL SUPPORT BRACKET
SRMT -	<input type="text"/>	- <input type="text"/>	<input type="text"/>	<input type="text"/>	<input type="text"/>	<input type="text"/>	<input type="text"/>
	8011	S (STD)	BLANK (Z/Z1 ONLY)		Q (SILVER)	BLANK	BLANK
	8011A	T	E (STD - THD)		R (GOLD)	E (EPOXY)	S20
	8012	X (LONG)	M (STD - NON-THD)	B (SOLDER LUG) C (PC MOUNT) D (QUICK CONNECT) D1 (WIRE WRAP - .750) D2 (WIRE WRAP - .964) D3 (WIRE WRAP - .425) D4 (WIRE WRAP - 1.062)			S60
	8012A	W (LONG)	F (THD)				
	8012B	V (LONG)	N (NON-THD)				
	8012C	U (FLATTED)	G (HIGH TORQUE)				
		Z (LARGE TOGGLE)	H (HIGH TORQUE)				
		Z1 (LARGE)	J (LONG)				
		Y (PLASTIC)	K (METRIC)				
			L (SPLASH-PROOF)				



TITLE: SRMT 8011/8012 TOGGLE SWITCHES

PART NO: SEE CHART

DATE: 03/05/01

DRAWN: RB

CHKD:

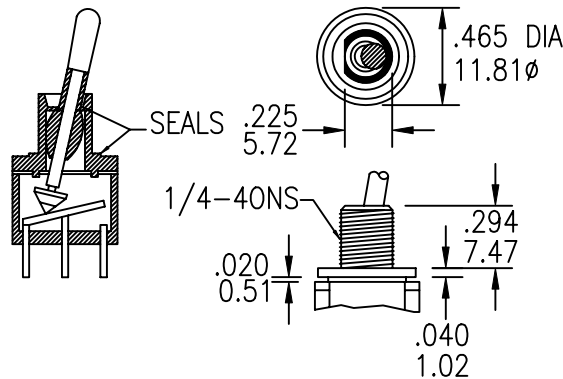
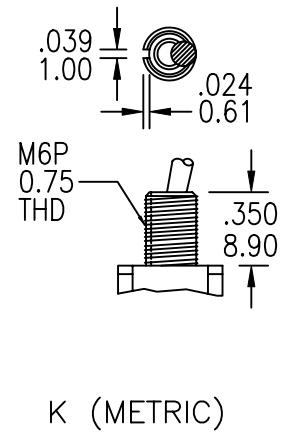
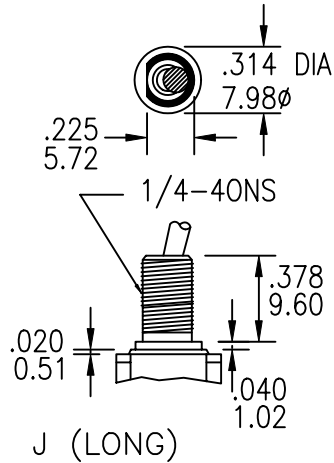
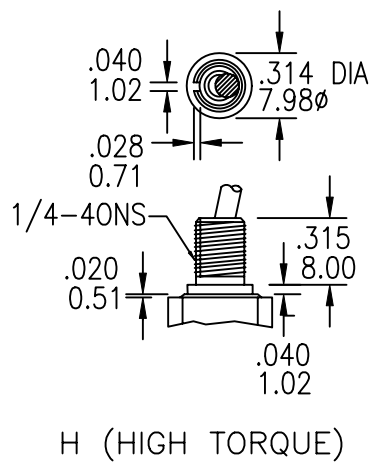
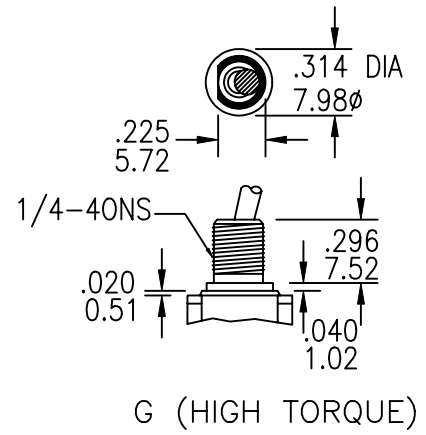
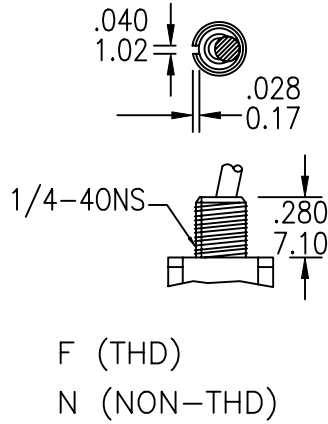
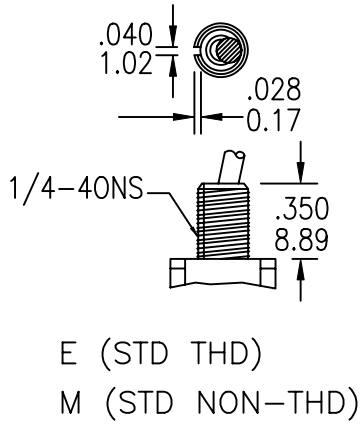
SCALE: N/A

SHEET: 2 OF 6

USE OR REPRODUCTION OF THIS DRAWING FOR THE PURPOSE OF MANUFACTURING THIS ARTICLE OR ANY ARTICLES SHOWN FOR ANY PURPOSE IS STRICTLY PROHIBITED WITHOUT WRITTEN PERMISSION FROM SENIOR INDUSTRIES, INC.

CUSTOMER SPECIFICATION DRAWING

BUSHING OPTIONS

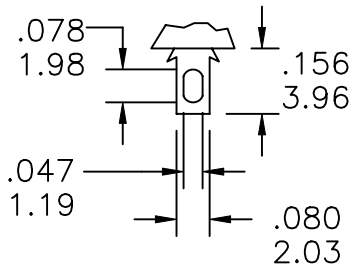


USE OR REPRODUCTION OF THIS DRAWING FOR THE PURPOSE OF MANUFACTURING THIS ARTICLE OR ANY ARTICLES SHOWN FOR ANY PURPOSE IS STRICTLY PROHIBITED WITHOUT WRITTEN PERMISSION FROM SENIOR INDUSTRIES, INC.

CUSTOMER SPECIFICATION DRAWING

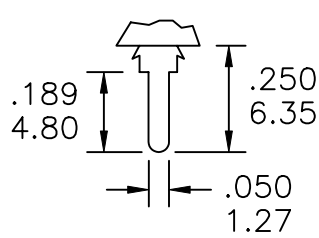
TERMINATION OPTIONS

SOLDER LUG



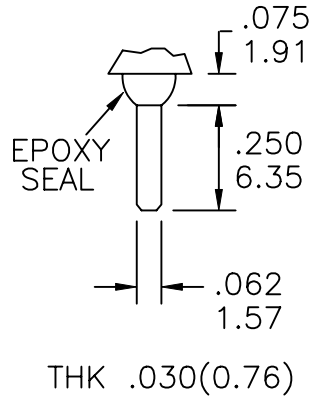
B

PC MOUNT



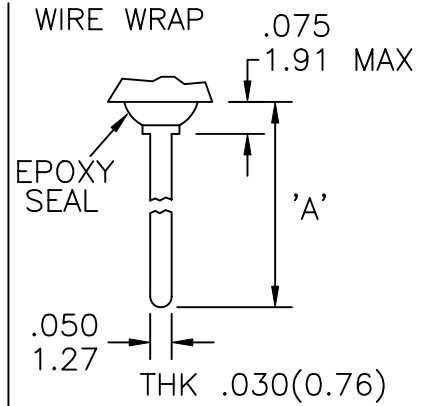
C

QUICK CONNECT



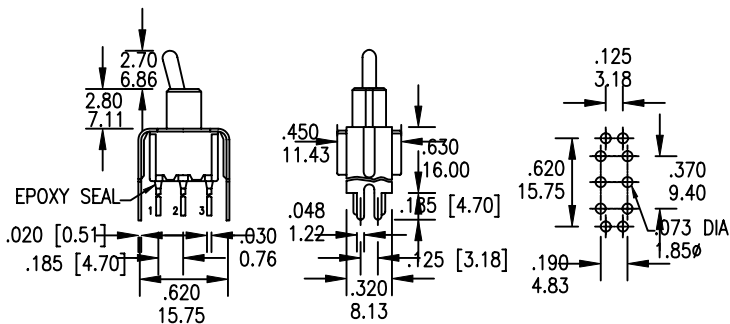
D

WIRE WRAP

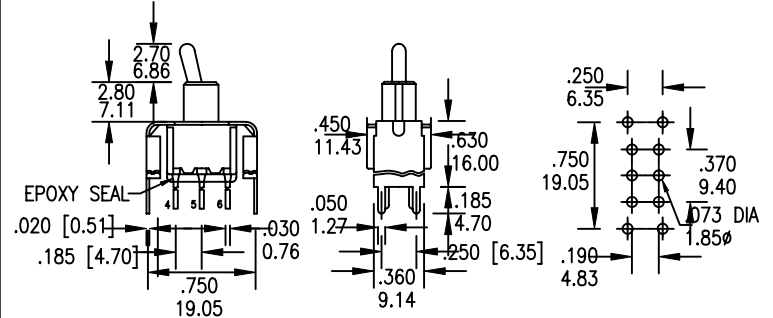


	'A'
D1	.750(19.05)
D2	.964(24.48)
D3	.425(10.80)
D4	1.062(26.97)

VERTICAL SUPPORT BRACKET OPTIONS



S30

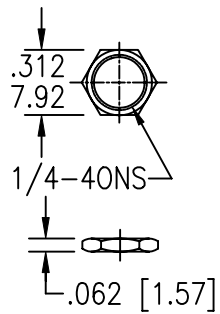


S50

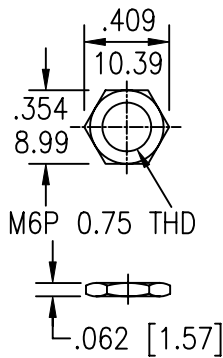
USE OR REPRODUCTION OF THIS DRAWING FOR THE PURPOSE OF MANUFACTURING THIS ARTICLE OR ANY ARTICLES SHOWN FOR ANY PURPOSE IS STRICTLY PROHIBITED WITHOUT WRITTEN PERMISSION FROM SENIOR INDUSTRIES, INC.

CUSTOMER SPECIFICATION DRAWING

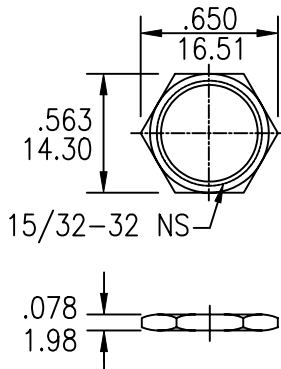
STANDARD NUTS



STD FOR E, F, G, H, AND L OPTIONS

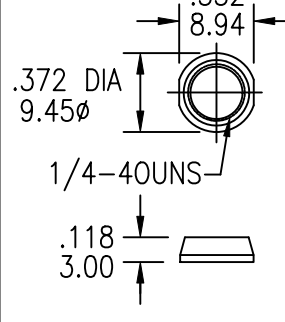


STD FOR K OPTION

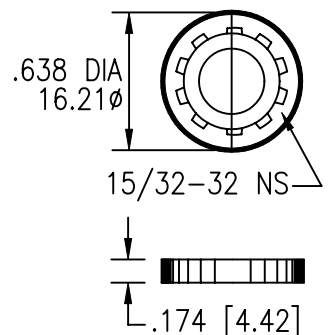


STD FOR Z AND Z1 OPTIONS

OPTIONAL NUTS

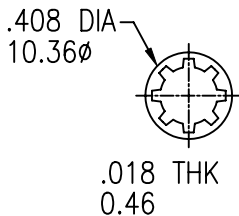


DRESS NUT

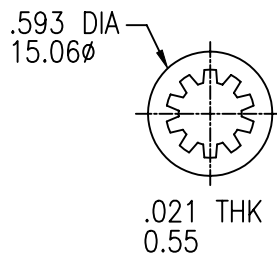


KNURLED

LOCK WASHER

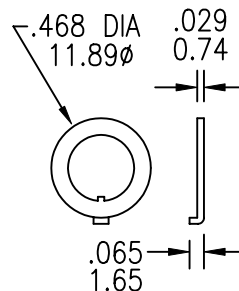


STD

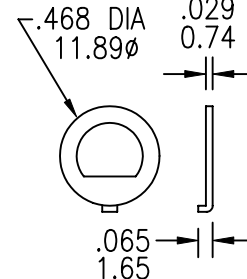


STD FOR Z AND Z1 OPTIONS

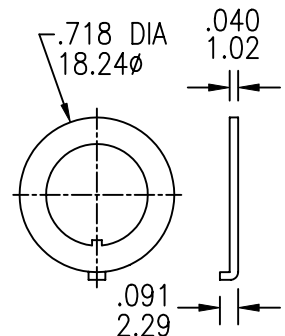
LOCKING RING



STD

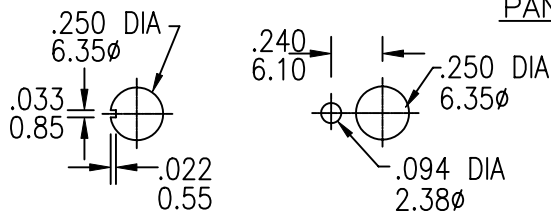


STD FOR G AND J OPTIONS.

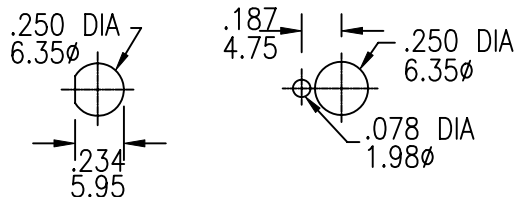


STD FOR Z AND Z1 OPTIONS.

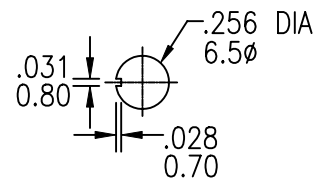
PANEL MOUNTING



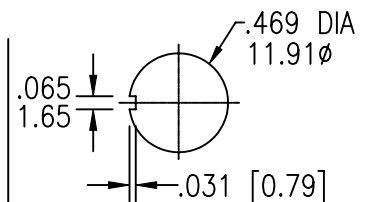
FOR BUSHING E, M, F, N, AND H OPTIONS



FOR BUSHING G, J, AND L OPTIONS



FOR BUSHING K OPTION



FOR ACTUATOR Z AND Z1 OPTIONS