

1

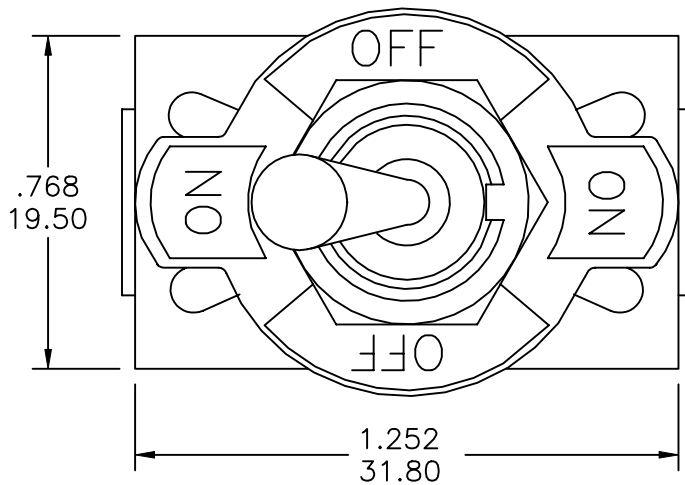
2

3

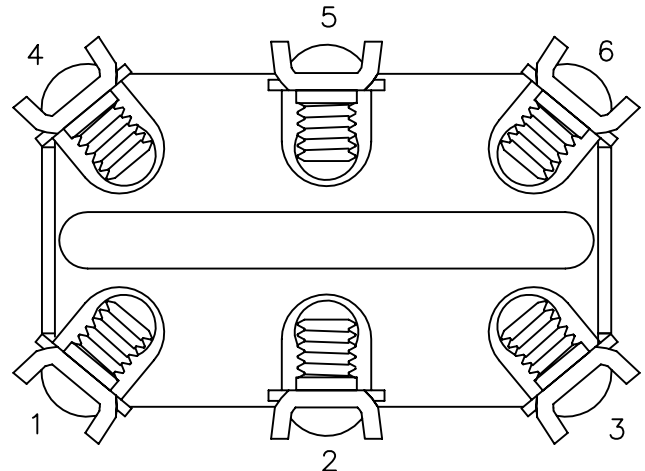
4

COMPONENT
SPECIFICATIONUSE OR REPRODUCTION OF THIS DRAWING FOR THE PURPOSE OF MANUFACTURING THIS
ARTICLE OR ANY ARTICLES SHOWN FOR ANY PURPOSE IS STRICTLY PROHIBITED WITHOUT
WRITTEN PERMISSION FROM SENIOR INDUSTRIES, INC.

A



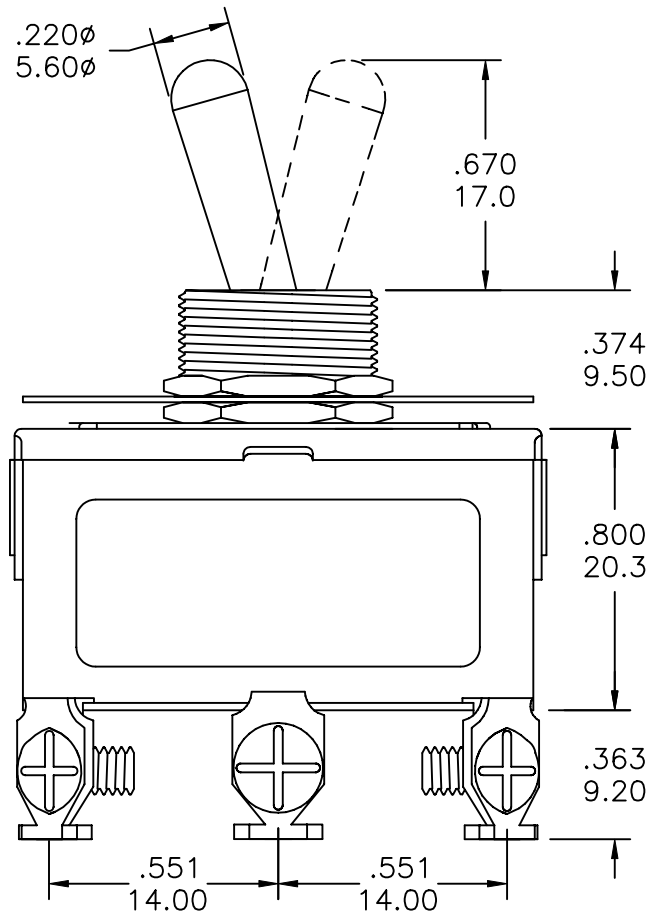
B



C

MODEL NO.	SWITCHING POSITION		
7722	ON	NONE	ON
7723	MOM	NONE	ON
7724	ON	OFF	ON
7725	MOM	OFF	ON
7726	MOM	OFF	MOM
CONN. TERMS	2-3 5-6	OPEN	2-1 5-4
SCHEMATIC			

D

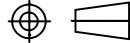


NOTE: RUBBER BOOT AVAILABLE, SR PART NUMBER: SRLT-RB.

DESIGNED:			SYM.	DATE	DESCRIPTION OF REVISIONS	DRAWN	APPD.
DRAWN:	RT	10/10/01		10.10.01	NEW	RB	TF
CHECKED:	GAT	10/27/05		10.20.05	New Index, Note added, gen dwg/spec updated	GAT	JF
APPROVED:	JF	10/27/05		.			
				.			

E

3RD ANGLE



UNIT:

mm

SCALE:

2:1

REV.

B

SENIOR
INDUSTRIES, INC.

TOLERANCE:

TO 1 DECIMAL PLACE: ±.2

TO 2 DECIMAL PLACES: ±.10

AS ANGLES: ±1/2°

SHEET:

PART NO:

SEE CHART

TITLE:

SRLT-7722 - 7726
TOGGLE SWITCHES

1 OF 4

1

2

3

4

COMPONENT
SPECIFICATIONUSE OR REPRODUCTION OF THIS DRAWING FOR THE PURPOSE OF MANUFACTURING THIS
ARTICLE OR ANY ARTICLES SHOWN FOR ANY PURPOSE IS STRICTLY PROHIBITED WITHOUT
WRITTEN PERMISSION FROM SENIOR INDUSTRIES, INC.SPECIFICATIONSELECTRICAL

CONTACT RATING: 15A @ 250 VAC, 20A @ 125 VAC
 CONTACT RESISTANCE: 20 MILLIOHMS MAX.
 INSULATION RESISTANCE: 200 MEGOHMS MIN. AT 500 VDC
 DIELECTRIC STRENGTH: 1,500 VRMS

MECHANICAL

OPERATING LIFE: 40,000 CYCLES

ENVIRONMENTAL

OPERATING TEMPERATURE: -30°C TO +85°C






MATERIAL

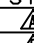
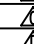
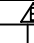

ACTUATOR: BRASS, CHROME PLATED
 BUSHING: BRASS, NICKEL PLATED
 SUPPORT: BRASS, TIN PLATED
 CONTACT: SILVER ALLOY
 TERMINALS: H1/H2 - BRASS, NICKEL PLATED
 H3 - BRASS, TIN PLATED
 H4/H5 - BARE BRASS

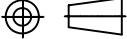
REGULATORY:

UL AND CANADA RECOGNIZED COMPONENT. UL/CUL FILE NO. E173084.

PART NUMBER BUILDER:

SERIES	MODEL NO.	CASE	ACTUATOR	BUSHING	TERMINATION
SRLT -		- 			
	7722	M (METAL)	T1	B1	H1 (SCREW/SHORT)
	7723	P (PLASTIC)	T2	B2	H2 (SCREW/LONG)
	7724		T3	B3	H3 (SOLDER)
	7725		T4	B4	H4 (FLAT)
	7726				H5

DESIGNED:			SYM.	DATE	DESCRIPTION OF REVISIONS	DRAWN	APPD.
DRAWN:	RT	10/10/01		10.10.01	NEW	RB	TF
CHECKED:	GAT	10/27/05		10.20.05	New Index, Note added, gen dwg/spec updated	GAT	JF
APPROVED:	JF	10/27/05					
							

3RD ANGLE		UNIT: mm	SCALE:	REV.	B
-----------	---	----------	--------	------	---

**SENIOR
INDUSTRIES, INC.**

TOLERANCE:

TO 1 DECIMAL PLACE: ±

TO 2 DECIMAL PLACES: ±

AS ANGLES: ±

SHEET:

PART NO:

SEE CHART

TITLE:

SRLT-7722 - 7726
TOGGLE SWITCHES

2 OF 4

1

2

3

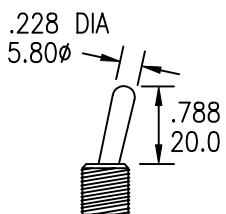
4

COMPONENT SPECIFICATION

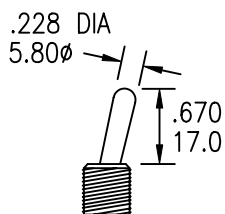
USE OR REPRODUCTION OF THIS DRAWING FOR THE PURPOSE OF MANUFACTURING THIS ARTICLE OR ANY ARTICLES SHOWN FOR ANY PURPOSE IS STRICTLY PROHIBITED WITHOUT WRITTEN PERMISSION FROM SENIOR INDUSTRIES, INC.

A

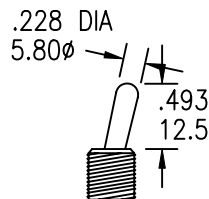
ACTUATOR OPTIONS



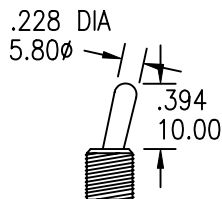
T1



T2



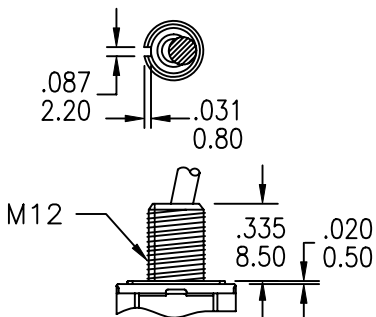
T3



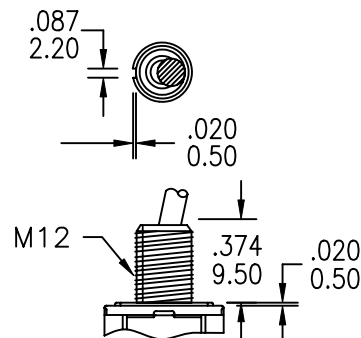
T4

B

BUSHING OPTIONS



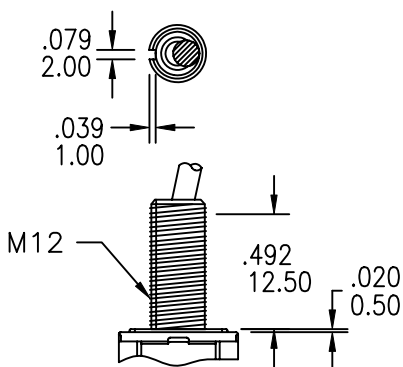
B1



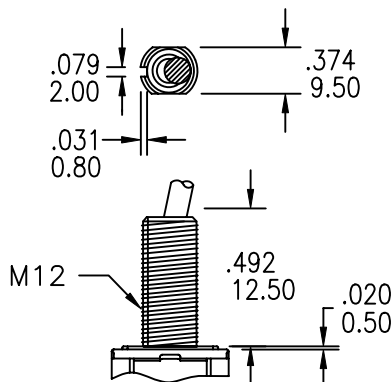
B2

C

D



B3



B4

E

DESIGNED:			SYM.	DATE	DESCRIPTION OF REVISIONS	DRAWN	APPD.
DRAWN:	RT	10/10/01	▲	10.10.01	NEW	RB	TF
CHECKED:	GAT	10/27/05	▲	10.20.05	New Index, Note added, gen dwg/spec updated	GAT	JF
APPROVED:	JF	10/27/05	▲	.			

3RD ANGLE		UNIT:	mm	SCALE:		REV.	B
-----------	--	-------	----	--------	--	------	---



SENIOR INDUSTRIES, INC.

TOLERANCE:	PART NO:
TO 1 DECIMAL PLACE: ±.2	SEE CHART
TO 2 DECIMAL PLACES: ±.10	TITLE: SRLT-7722 - 7726
AS ANGLES: ±1/2°	TOGGLE SWITCHES
SHEET:	3 OF 4

1

2

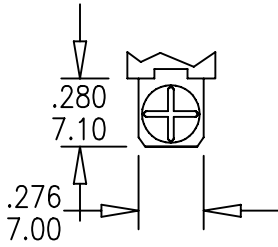
3

4

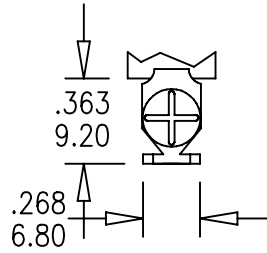
COMPONENT SPECIFICATION

USE OR REPRODUCTION OF THIS DRAWING FOR THE PURPOSE OF MANUFACTURING THIS ARTICLE OR ANY ARTICLES SHOWN FOR ANY PURPOSE IS STRICTLY PROHIBITED WITHOUT WRITTEN PERMISSION FROM SENIOR INDUSTRIES, INC.

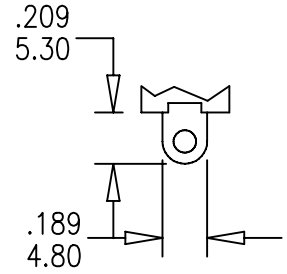
TERMINATION OPTIONS



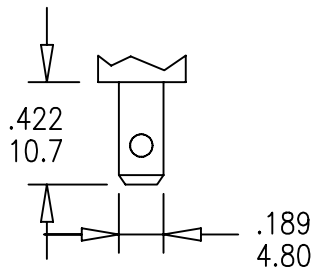
H1 (SCREW/SHORT)



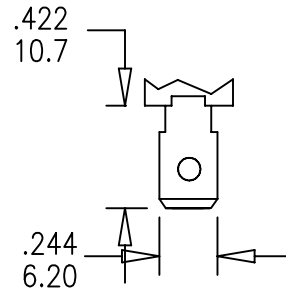
H2 (SCREW/LONG)



H3 (SOLDER)



H4 (FLAT/STRAIGHT)



H5 (FLAT/ANGLED)

DESIGNED:			SYM.	DATE	DESCRIPTION OF REVISIONS	DRAWN	APPD.
DRAWN:	RT	10/10/01	▲	10.10.01	NEW	RB	TF
CHECKED:	GAT	10/27/05	▲	10.20.05	New Index, Note added, gen dwg/spec updated	GAT	JF
APPROVED:	JF	10/27/05	▲	.			
			▲	.			

3RD ANGLE		UNIT:	mm	SCALE:		REV.	B
-----------	--	-------	----	--------	--	------	---



TOLERANCE:	PART NO:
TO 1 DECIMAL PLACE: ±.2	SEE CHART
TO 2 DECIMAL PLACES: ±.10	TITLE: SRLT-7722 - 7726
AS ANGLES: ±1/2°	TOGGLE SWITCHES
SHEET:	4 OF 4