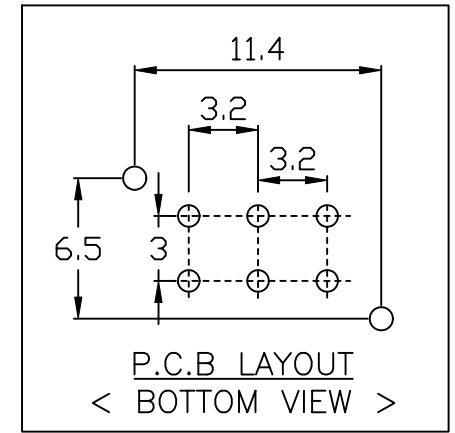
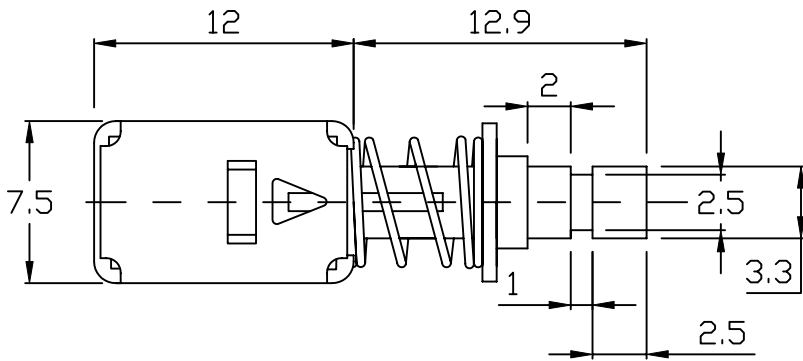
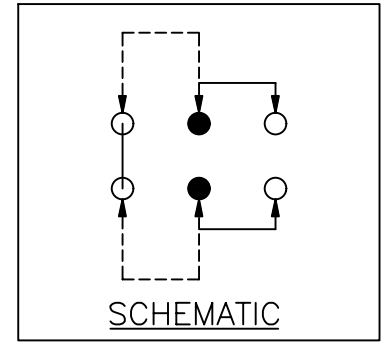
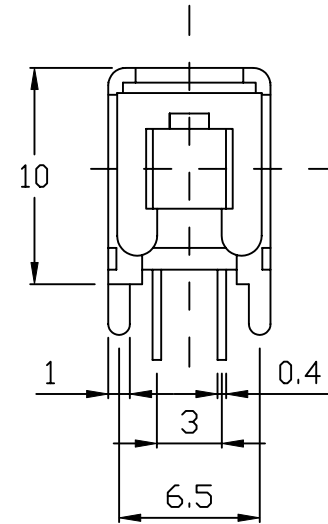
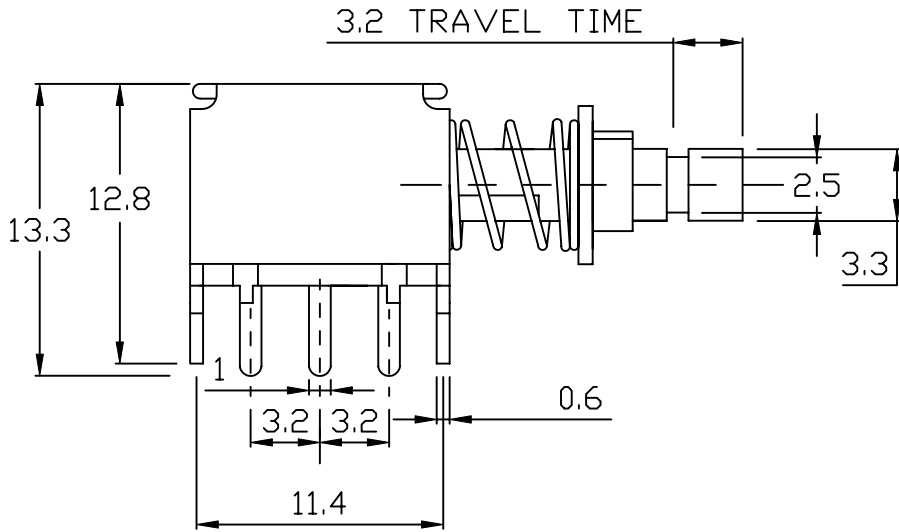


1	2	3	4	5
COMPONENT SPECIFICATION	USE OR REPRODUCTION OF THIS DRAWING FOR THE PURPOSE OF MANUFACTURING THIS ARTICLE OR ANY ARTICLES SHOWN FOR ANY PURPOSE IS STRICTLY PROHIBITED WITHOUT WRITTEN PERMISSION FROM SENIOR INDUSTRIES, INC.			

A



B



NOTE: DRAWING DEPICTS PART #SPB32-2-2-X-X
CP-X-X CAP STYLES APPLIES.

C



DESIGNED:			SYM.	DATE:	DESCRIPTION OF REVISIONS:	DRAWN:	APPD:	TOLERANCE:	PART NO:	SPB32-X-X-X-X				
DRAWN:	RB	03/15/04	▲	03.15.04	NEW	RB	JF				TO 1 DECIMAL PLACE: ±.3	TITLE:	PUSHBUTTON SWITCH	
CHECKED:	JF	03/15/04	▲	12.03.04	New Index, Ch Title fr Mod. Jack 2 P.B. Switch	GAT	JF							TO 2 DECIMAL PLACES: ±.13
APPROVED:	JF	03/15/04	▲	07.01.05	Rem'd 6,8&10 pole opts; 'latching' & STD added	GAT	JF							
3RD ANGLE		UNIT:	mm	SCALE:	1:1	REV.	C	AS ANGLES:	±1/2°	SHEET:	1 OF 2			

1

2

3

4

5

COMPONENT SPECIFICATION

USE OR REPRODUCTION OF THIS DRAWING FOR THE PURPOSE OF MANUFACTURING THIS ARTICLE OR ANY ARTICLES SHOWN FOR ANY PURPOSE IS STRICTLY PROHIBITED WITHOUT WRITTEN PERMISSION FROM SENIOR INDUSTRIES, INC.

SPECIFICATIONS:

ELECTRICAL:

CONTACT RATING: 1A @ 50VDC
CONTACT RESISTANCE: 30 MILLIOHMS MAX.
INSULATION RESISTANCE: 100 MEGOHMS MIN. @ 500 VDC
DIELECTRIC STRENGTH: 1,000 VRMS

MECHANICAL:

OPERATING LIFE: 100,000 CYCLES
OPERATING FORCE: 250 gf ±100gf

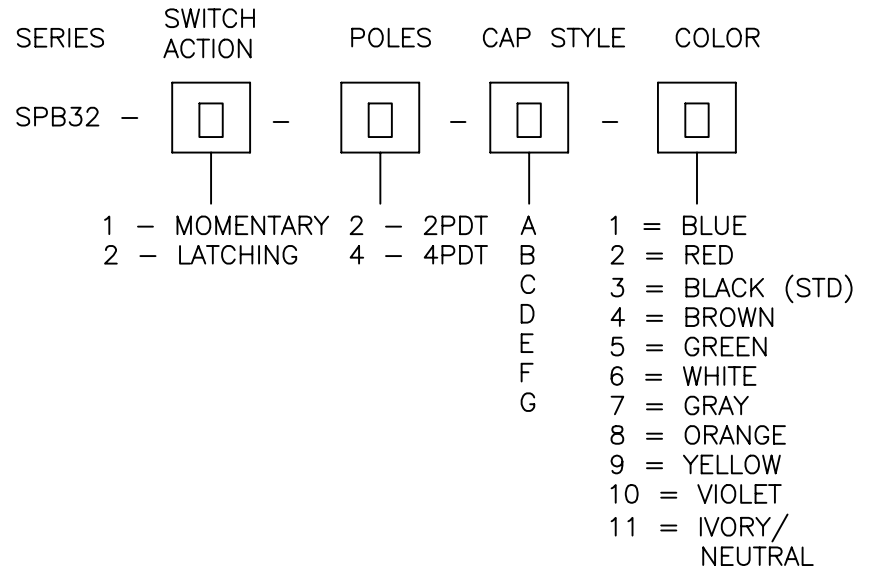
ENVIRONMENTAL:

OPERATING TEMPERATURE: -20°C TO +70°C

MATERIAL:

CASE: PBT, UL 94V-0
ACTUATOR: DURAN, UL 94HB
TERMINAL BOARD: POLYESTER, UL 94V-0
CONTACT/TERMINALS: BRASS, SILVER PLATED

PART NUMBER BUILDER:



SENIOR INDUSTRIES, INC.

Table with columns for DESIGNER, DRAWN, CHECKED, APPROVED, SYM., DATE, DESCRIPTION OF REVISIONS, DRAWN, APPD, TOLERANCE, PART NO, TITLE, SHEET, and 3RD ANGLE. Includes revision history and drawing details.