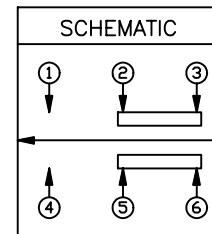
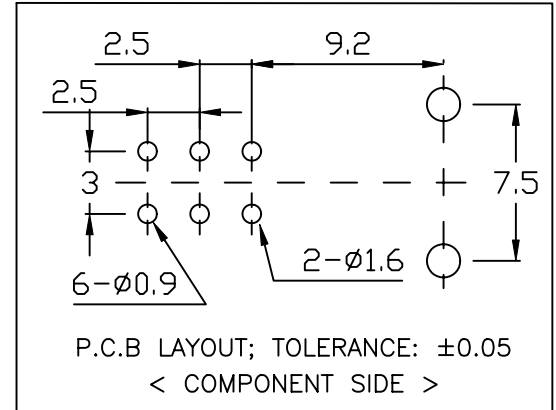
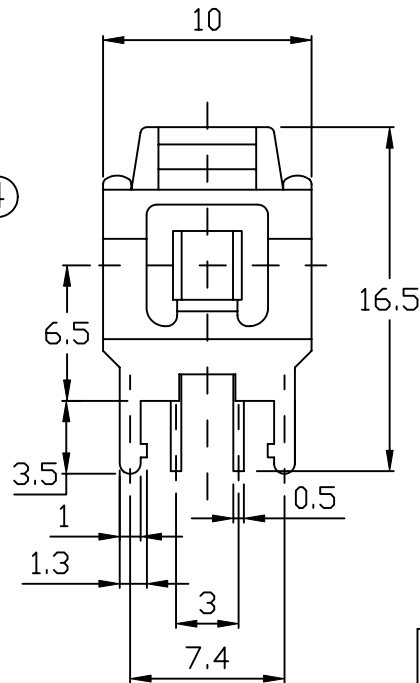
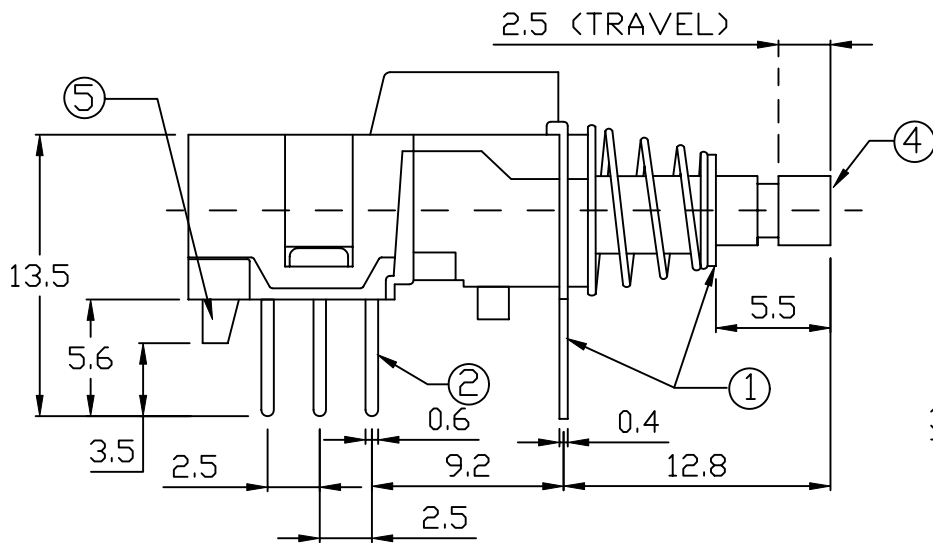
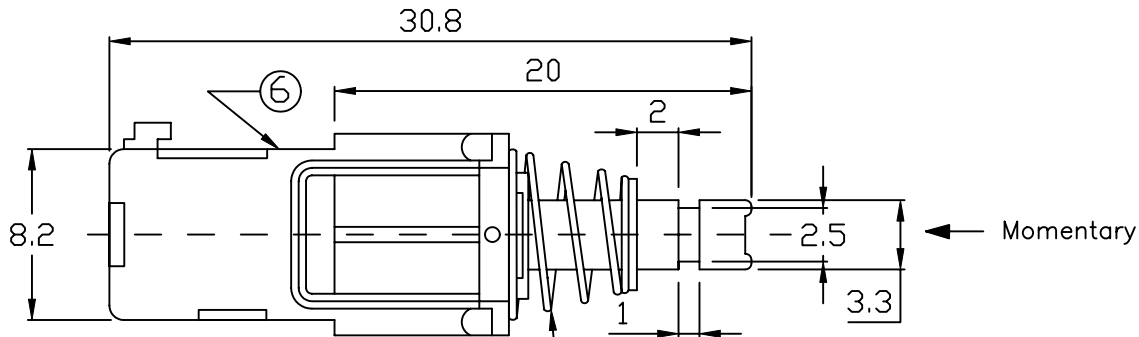


COMPONENT SPECIFICATION

USE OR REPRODUCTION OF THIS DRAWING FOR THE PURPOSE OF MANUFACTURING THIS ARTICLE OR ANY ARTICLES SHOWN FOR ANY PURPOSE IS STRICTLY PROHIBITED WITHOUT WRITTEN PERMISSION FROM SENIOR INDUSTRIES, INC.



(NON-SHORTING TYPE)

NO.	PART NAME	MATERIAL
1	METAL PLATE	SPCC
2	TERMINAL	BRASS STRIP (C2680)
3	SPRING	STAINLESS STEEL
4	ACTUATOR	POM
5	BASE	PC
6	HOUSING	ABS
	MOVING CONTACT	PBS

NOTE: CP-X-X CAP STYLES APPLIES.



DESIGNED:	SYMBOL:	DATE:	DESCRIPTION OF REVISIONS:	DRAWN:	APPD:
GAT	▲	04.19.05	NEW	GAT	
CHECKED:	▲	.	.		
APPROVED:	▲	.	.		

TOLERANCE:	PART NO:
TO 1 DECIMAL PLACE: ±.3	SPB25A-1-X-X
TO 2 DECIMAL PLACES: ±.13	TITLE: PUSHBUTTON SWITCH

3RD ANGLE	UNIT: mm	SCALE: 1:1	REV: A	AS ANGLES: ±1/2°	SHEET: 1 OF 2
-----------	----------	------------	--------	------------------	---------------

1

2

3

4

5

COMPONENT SPECIFICATION

USE OR REPRODUCTION OF THIS DRAWING FOR THE PURPOSE OF MANUFACTURING THIS ARTICLE OR ANY ARTICLES SHOWN FOR ANY PURPOSE IS STRICTLY PROHIBITED WITHOUT WRITTEN PERMISSION FROM SENIOR INDUSTRIES, INC.

SPECIFICATIONS

ELECTRICAL

CONTACT RATING: 0.3A @ 30V DC  
CONTACT RESISTANCE: 30 MILLIOHMS MAX.  
INSULATION RESISTANCE: 100 MEGOHMS MIN. @ 500 VDC  
DIELECTRIC STRENGTH: 500V AC FOR 1 MINUTE

MECHANICAL

OPERATING LIFE: 10,000 CYCLES  
OPERATING FORCE: 300 gf ±150gf

ENVIRONMENTAL

OPERATING TEMPERATURE: -10°C TO +60°C  
HUMIDITY RANGE: 45% RH TO 85% RH

PART NUMBER BUILDER:

SERIES CAP STYLE CAP COLOR

SPB25A

- 1 -



-



A  
B  
C  
D  
E  
F  
G

- 1. = BLUE
- 2. = RED
- 3. = BLACK (STD)
- 4. = BROWN
- 5. = GREEN
- 6. = WHITE
- 7. = GRAY
- 8. = ORANGE
- 9. = YELLOW
- 10. = VIOLET
- 11. = IVORY/NEUTRAL



**SENIOR INDUSTRIES, INC.**

DESIGNED:	DRAWN:	CHECKED:	APPROVED:	SYM.	DATE:	DESCRIPTION OF REVISIONS:	DRAWN:	APPD:
	RB			▲	04.19.05	NEW	GAT	
				▲	. .			
				▲	. .			
				▲	. .			

TOLERANCE:	PART NO:	SPB25A-1-X-X
TO 1 DECIMAL PLACE: ±	TITLE:	PUSHBUTTON SWITCH
TO 2 DECIMAL PLACES: ±	SHEET:	2 OF 2
AS ANGLES: ± °		

3RD ANGLE UNIT: mm SCALE: REV. A