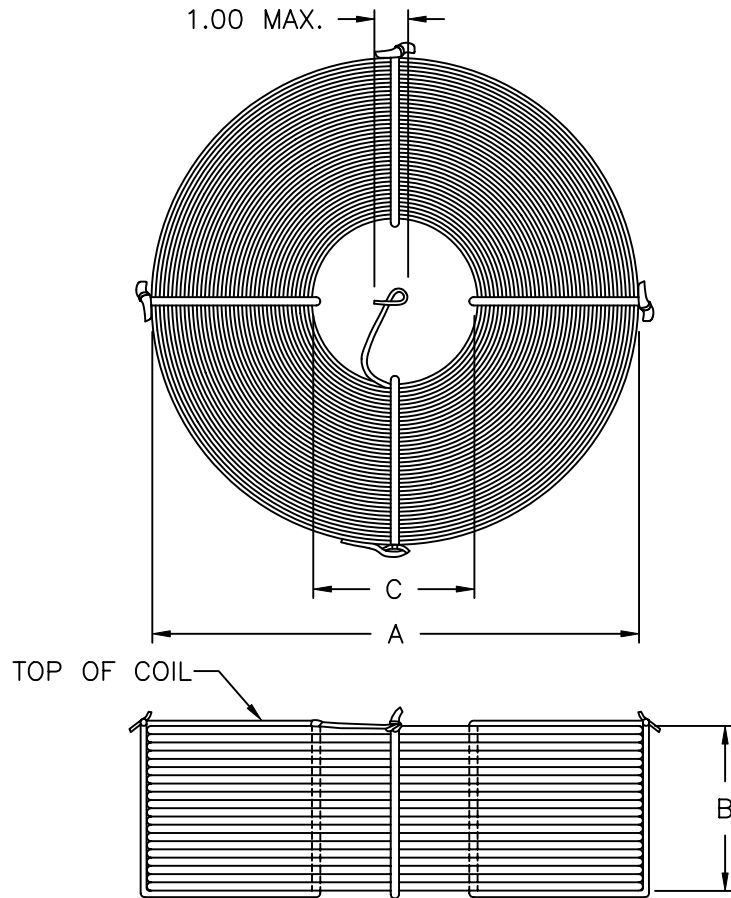


UNLESS OTHERWISE SPECIFIED, ALL DIMENSIONS ARE IN INCHES.

TO 2 DECIMAL PLACE ±  
 TO 3 DECIMAL PLACES ±  
 AS ANGLES ±

ISSUE	DATE
A	12/15/09
B	03/24/10



**NOTES:**

1. THE WIRE IN EACH COIL SHALL BE IN ONE CONTINUOUS LENGTH, FREE FROM FACTORY JOINTS.
2. CONVOLUTIONS SHALL BE UNIFORMLY TRAVERSED SO AS TO YIELD A COMPACTLY FORMED COIL WITH THE WINDING OF APPROXIMATELY RECTANGULAR SECTION.
3. THE FINISHED WIRE SHALL BE GIVEN A THIN UNIFORM COATING OF WAX.

PART #	WIRE SIZE	COIL LENGTH	MATERIAL	A	B	C
SI-9603	.045	1200'	430 SS	5-3/8" MAX.	1-13/16" MAX.	1-5/8" MIN.
SI-9607	.045	1200'	316 SS	5-3/8" MAX.	1-13/16" MAX.	1-5/8" MIN.
SI-9609	.045	1200'	302 SS	5-3/8" MAX.	1-13/16" MAX.	1-5/8" MIN.
SI-9610	.038	1600'	302 SS	5-3/8" MAX.	1-13/16" MAX.	1-5/8" MIN.



TITLE: LASHING WIRE				PART NO: SI-96XX	
DATE: 07/08/03	DRAWN: RB	CHKD: GAT	SCALE: 1/2	SHEET: 1 OF 1	