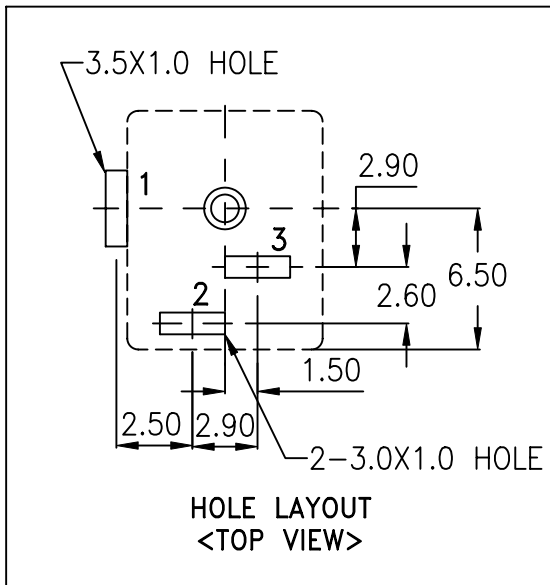
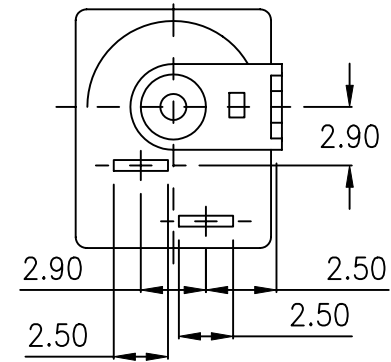
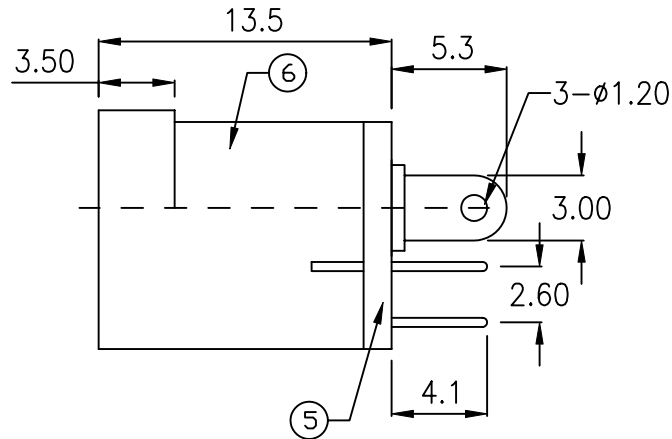
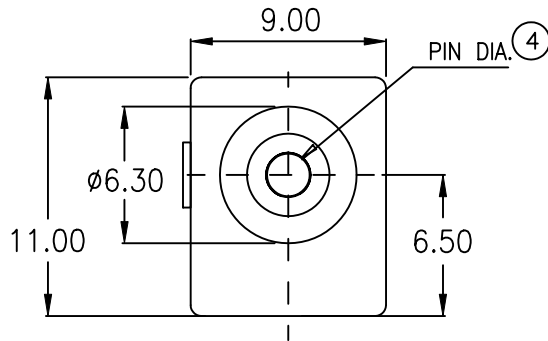


COMPONENT SPECIFICATION

USE OR REPRODUCTION OF THIS DRAWING FOR THE PURPOSE OF MANUFACTURING THIS ARTICLE OR ANY ARTICLES SHOWN FOR ANY PURPOSE IS STRICTLY PROHIBITED WITHOUT WRITTEN PERMISSION FROM SENIOR INDUSTRIES, INC.



SPECIFICATIONS:

ELECTRICAL:

CONTACT RATING: 2A @ 16VDC
 CONTACT RESISTANCE: 30 MILLIOHMS MAX.
 INSULATION RESISTANCE: 50 MEGOHMS MIN. @ 100VDC
 DIELECTRIC STRENGTH: 250 VAC FOR 1 MINUTE

MECHANICAL

LIFE CYCLE: 5,000 CYCLES

SCHEMATIC	'X' = PIN Ø	DIA.	TOLER.
	A	2.1	+0.0 -0.1
B	2.5	+0.0 -0.1	

6	HOUSING	1	PBT, BLACK COLOR
5	COVER	1	BAKELITE, BLACK COLOR
4	PIN (ø2.0/ø2.5mm)	1	BRASS - NICKEL PLATED
3	SLEEVE SHUNT	1	0.50mm BRASS - SILVER PLATED
2	SLEEVE SPRING	1	0.25mm PBS - SILVER PLATED
1	PIN TERMINAL	1	0.35mm BRASS - SILVER PLATED
ITEM	NAME	Q'TY	MATERIAL/FINISH

RoHS COMPLIANT



DESIGNED:	DATE:	SYMBOL:	DATE:	DESCRIPTION OF REVISIONS:	DRAWN:	APPD:
	01/12/05	▲	04.29.05	NEW	GAT	JF
DRAWN:	GAT	▲	08.31.06	Corrected terminal distances	GAT	JF
CHECKED:	GAT	▲	.	.		
APPROVED:	JF	▲	.	.		

TOLERANCE:	PART NO:	SI-680-X
TO 1 DECIMAL PLACE: ±.2	TITLE:	ø2.0/ø2.5mm DC POWER JACK
TO 2 DECIMAL PLACES: ±.10	SHEET:	1 OF 1

3RD ANGLE	UNIT:	mm	SCALE:	1:1	REV:	B
-----------	-------	----	--------	-----	------	---