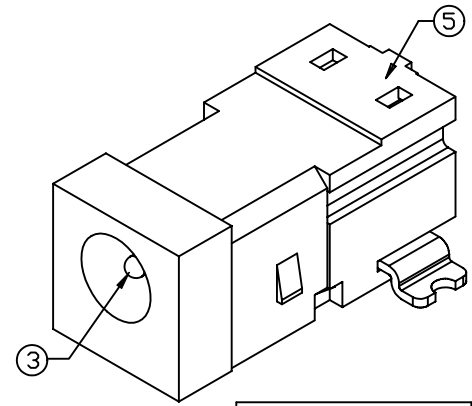
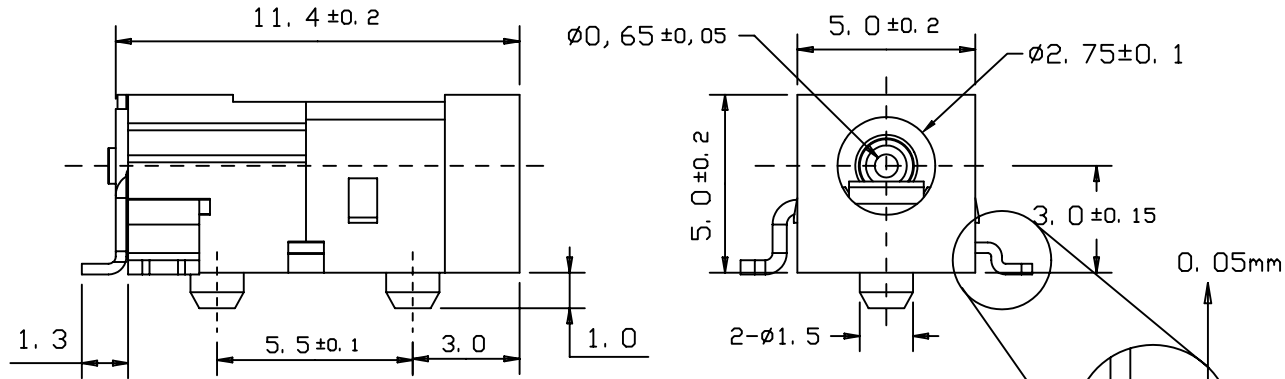


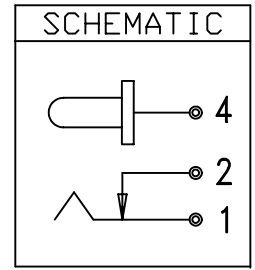
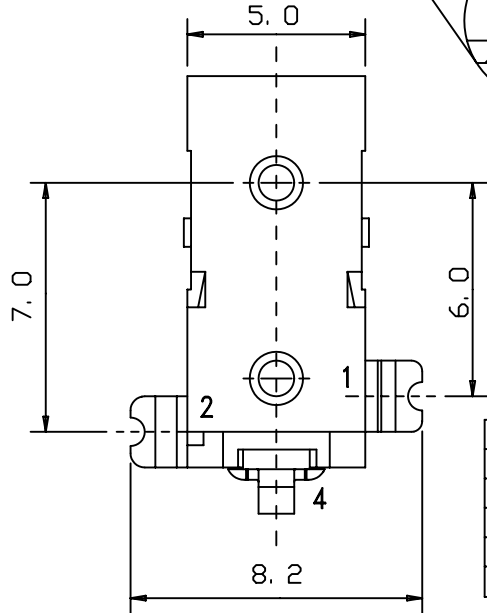
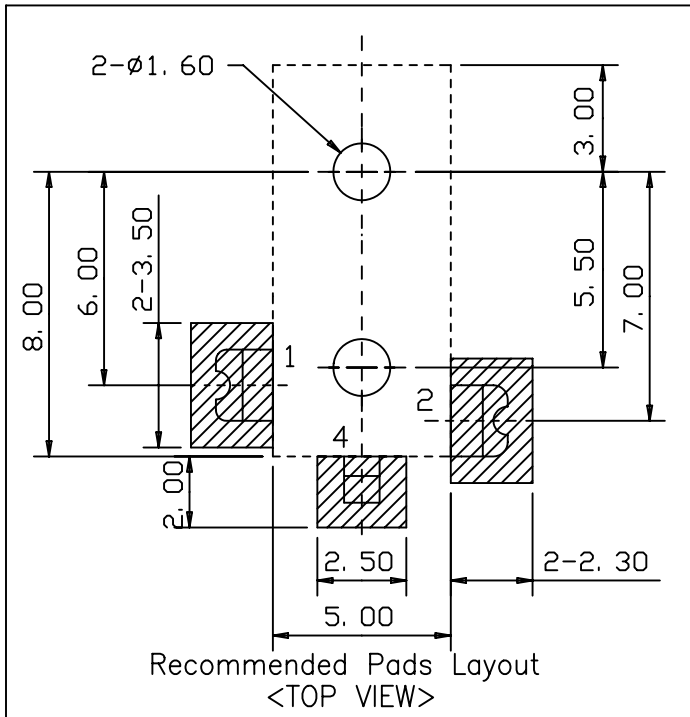
COMPONENT SPECIFICATION

USE OR REPRODUCTION OF THIS DRAWING FOR THE PURPOSE OF MANUFACTURING THIS ARTICLE OR ANY ARTICLES SHOWN FOR ANY PURPOSE IS STRICTLY PROHIBITED WITHOUT WRITTEN PERMISSION FROM SENIOR INDUSTRIES, INC.

A



B



PART NO.	'X' IN PART NO. = PACKAGING:
SI-670	TAPE & REEL (1000 PCS/REEL)
SI-670-1	BULK

ITEM	DESCRIPTIONS	Q' TY	MATERIAL/FINISH
⑤	HOUSING	1	LCP, BLACK, UL94V-0
④	PIN TERMINAL	1	BRASS - SILVER PLATED
③	PIN (φ0.65mm)	1	BRASS - SILVER PLATED
②	SLEEVE SHUNT	1	BRASS 0.40mm THICK - SILVER PLATED
①	SLEEVE SPRING	1	PBS, 0.30mm THICK - SILVER PLATED

C



DESIGNED:	DRAWN:	CHECKED:	APPROVED:	SYM.	DATE:	DESCRIPTION OF REVISIONS:	DRAWN:	APPD:	TOLERANCE:	PART NO:	TITLE:		
	GAT	GAT	JF	▲	04.14.05	NEW	GAT	JF	TO 1 DECIMAL PLACE: ±.3 TO 2 DECIMAL PLACES: ±.2	SI-670-X	φ0.65mm SMD DC POWER JACK		
				▲	08.25.05	Corr packaging for SI-670-1 from Tray to Bulk.	GAT	JF					
				UNIT:	mm	SCALE:	1:1	REV:	B	AS ANGLES:	±1/2°	SHEET:	1 OF 2

1

2

3

4

5

COMPONENT SPECIFICATION

USE OR REPRODUCTION OF THIS DRAWING FOR THE PURPOSE OF MANUFACTURING THIS ARTICLE OR ANY ARTICLES SHOWN FOR ANY PURPOSE IS STRICTLY PROHIBITED WITHOUT WRITTEN PERMISSION FROM SENIOR INDUSTRIES, INC.

SPECIFICATIONS

ELECTRICAL

RATED VOLTAGE: 3A @ 4.20 VDC
 CONTACT RESISTANCE: 50 MILLIOHMS MAX.
 INSULATION RESISTANCE: 100 MEGOHMS MIN. @ 250 VDC
 DIELECTRIC STRENGTH: 250 VAC FOR 1 MINUTE

MECHANICAL

LIFE: 5,000 CYCLES
 INSERTION FORCE: 0.3 Kg TO 2.0 Kg
 WITHDRAWAL FORCE: 0.3 Kg TO 2.0 Kg

ENVIRONMENTAL

OPERATING TEMPERATURE: -25°C TO +85°C

PACKAGING:

TAPE WIDTH: 24mm
 TAPE PITCH: 16mm
 REEL SIZE: 380mm



SENIOR INDUSTRIES, INC.

DESIGNED:			SYM.	DATE:	DESCRIPTION OF REVISIONS:	DRAWN:	APPD:	TOLERANCE:	PART NO:	SI-670-X
DRAWN:	GAT	04/14/05	▲	04.14.05	NEW	GAT	JF			
CHECKED:	GAT	08/25/05	▲	08.25.05	Corr packaging for SI-670-1 from Tray to Bulk.	GAT	JF	TO 1 DECIMAL PLACE: ±	TITLE:	ø0.65mm SMD DC POWER JACK
APPROVED:	JF	08/25/05	▲					TO 2 DECIMAL PLACES: ±		
3RD ANGLE		UNIT:	mm	SCALE:		REV:	B	AS ANGLES: ±	SHEET:	2 OF 2