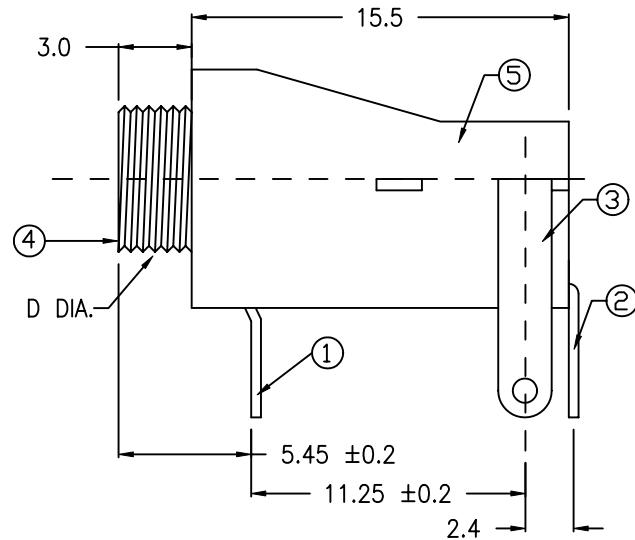
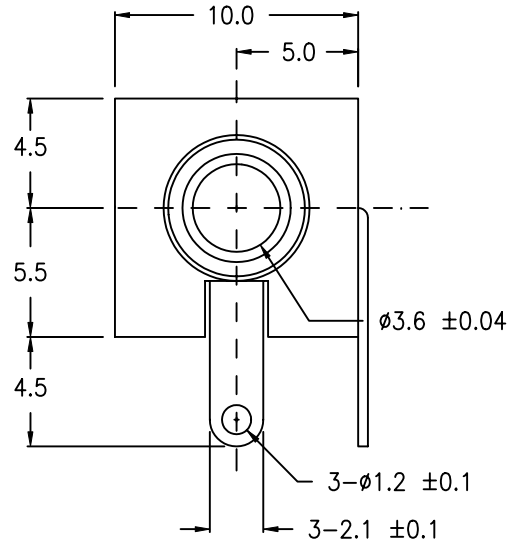


COMPONENT SPECIFICATION

USE OR REPRODUCTION OF THIS DRAWING FOR THE PURPOSE OF MANUFACTURING THIS ARTICLE OR ANY ARTICLES SHOWN FOR ANY PURPOSE IS STRICTLY PROHIBITED WITHOUT WRITTEN PERMISSION FROM SENIOR INDUSTRIES, INC.



SPECIFICATIONS:

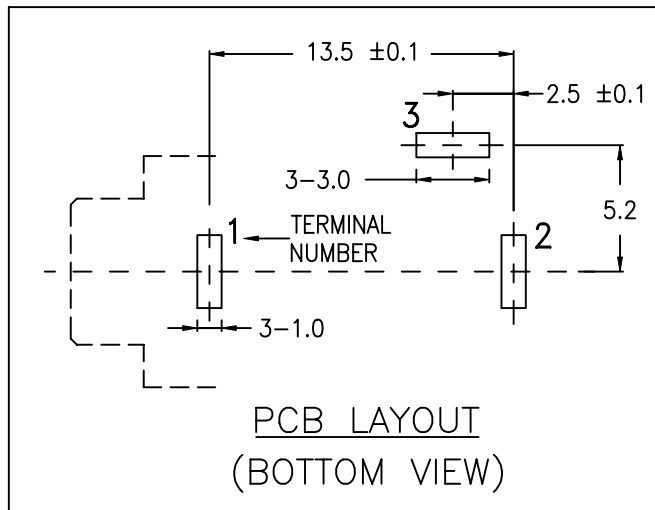
ELECTRICAL:

CONTACT RATING: 1A @ 12VDC
 CONTACT RESISTANCE: 30 MILLIOHMS MAX.
 INSULATION RESISTANCE: 50 MEGOHMS MIN. @ 250VDC
 DIELECTRIC STRENGTH: 250 VAC FOR 1 MINUTE

MECHANICAL

LIFE CYCLE: 5,000 CYCLES
 INSERTION FORCE: 0.4 Kg TO 1.5 Kg
 WITHDRAWAL FORCE: 0.4 Kg TO 1.5 Kg

D DIA.	THREADED
	M6X0.5
SCHEMATIC	



⑤	HOUSING	1	PP0, UL94V-1, BLACK
④	BUSHING	1	BRASS - NICKEL PLATED
③	TIP SHUNT	1	BRASS 0.4mm THICK - TIN PLATED
②	TIP SPRING	1	Ti-Cu Alloy 0.2mm THICK - TIN PLATED
①	SLEEVE	1	BRASS 0.3mm THICK - TIN PLATED
ITEM	NAME	Q'TY	MATERIAL/FINISH



SENIOR INDUSTRIES, INC.

DESIGNED:			SYM.	DATE:	DESCRIPTION OF REVISIONS:	DRAWN:	APPD:
DRAWN:	GAT	04/06/05	▲	04.06.05	NEW	GAT	
CHECKED:			▲	.	.		
APPROVED:			▲	.	.		
3RD ANGLE		UNIT:	mm	SCALE:	1:1	REV:	A

TOLERANCE:	PART NO:	SI-593
TO 1 DECIMAL PLACE: ±.2	TITLE:	RIGHT ANGLE φ3.5mm AUDIO JACK-MONO
TO 2 DECIMAL PLACES: ±.10	SHEET:	1 OF 1
AS ANGLES: ±1/2'		