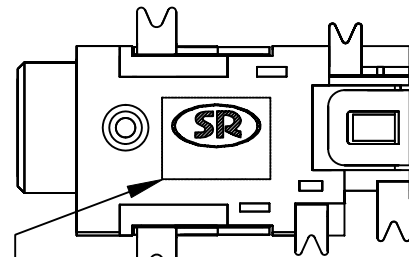
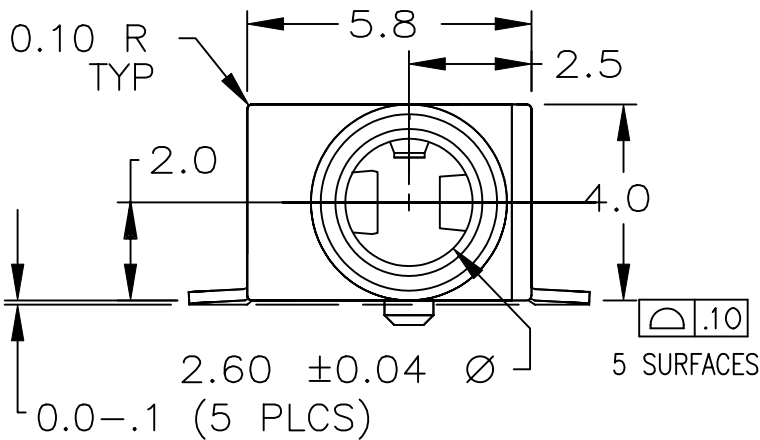
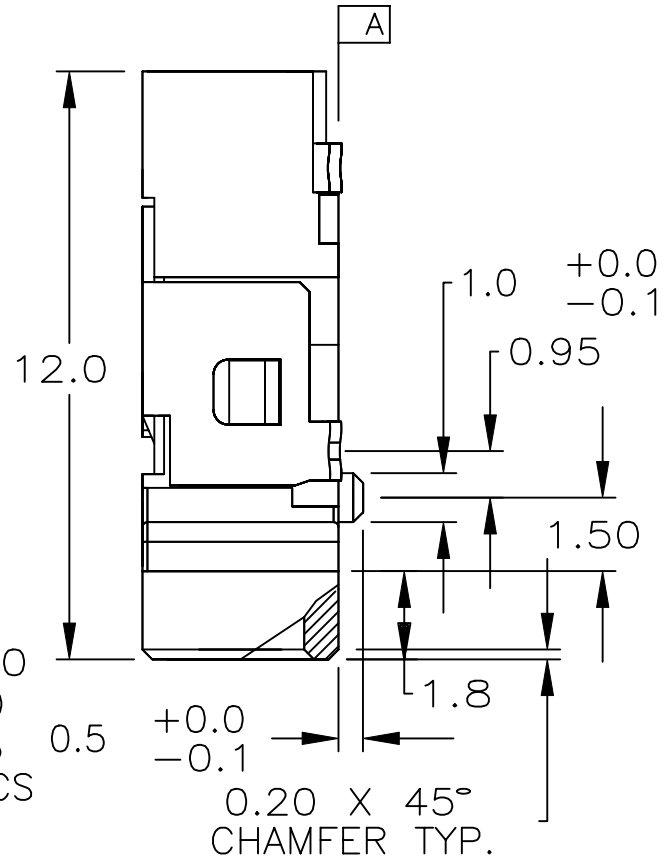
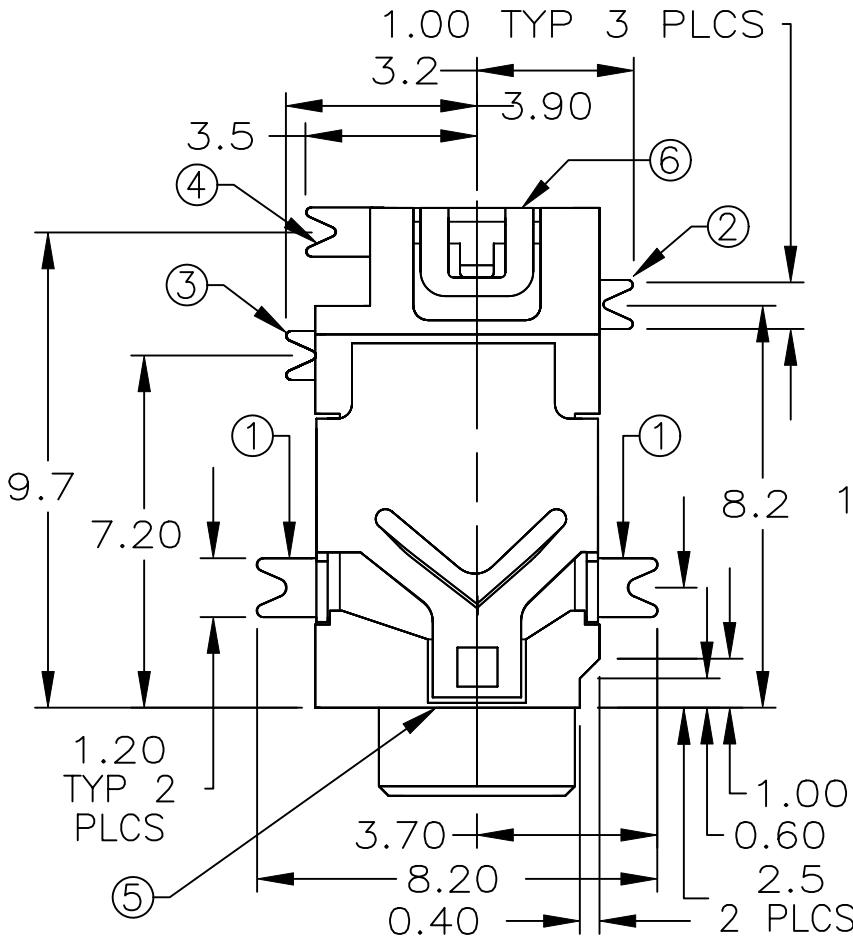


UNLESS OTHERWISE SPECIFIED, ALL DIMENSIONS ARE IN METRIC.

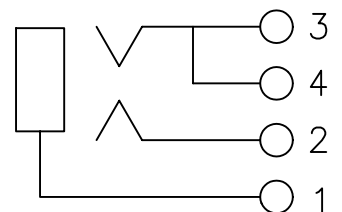
TO 1 DECIMAL PLACE ±.3
 TO 2 DECIMAL PLACES ±.10
 AS ANGLES ±

ISSUE	DATE
A	11/17/99
B	05/01/00



(SCALE: 4/1)
 SR LOGO AND CAVITY NUMBER IN THIS AREA RECESSED BY .15 MIN.

6	COVER	1	.2MM BRASS. Ni. PLATED
5	HOUSING	1	POLYIMIDE FR 52, UL94V-0 RATED, BLACK
4	RING SHUNT	1	.25MM BRASS, GOLD OVER Ni. PLATED
3	RING SPRING	1	.20MM PHOS. BRONZE, GOLD OVER Ni. PLATED
2	TIP SPRING	1	.25MM PHOS. BRONZE, GOLD OVER Ni. PLATED
1	SLEEVE TERMINAL	1	.23MM PHOS. BRONZE, GOLD OVER Ni. PLATED
ITEM	DESCRIPTION	QTY	MATERIAL/FINISH



SCHEMATIC



TITLE: AUDIO JACK		PART NO: SI-580	
DATE: 11/17/99	DRAWN: HV	CHKD:	SCALE: 6/1
		SHEET: 1 OF 2	

UNLESS OTHERWISE SPECIFIED, ALL DIMENSIONS ARE IN METRIC.

TO 1 DECIMAL PLACE ±
TO 2 DECIMAL PLACES ±
AS ANGLES ±

ISSUE	DATE
A	11/17/99
B	05/01/00

SPECIFICATIONS

ELECTRICAL

CONTACT RATING: 1A AT 12 VDC
 CONTACT RESISTANCE: 30 MILLIOHMS MAX.
 INSULATION RESISTANCE: 100 MEGOHMS MIN. AT 500 VDC
 DIELECTRIC STRENGTH: 500 VRMS FOR 1 MINUTE

MECHANICAL

INSERTION FORCE: 300-3,000 GRAMS
 WITHDRAWAL FORCE: 300-3,000 GRAMS
 OPERATING LIFE: 6,000 CYCLES
 CONTACT RETENTION FORCE: 80 GRAMS
 CONTACT PLATING: 3 - 10 MIN. MICROINCHES GOLD OVER
 50 MIN. MICROINCHES NICKEL
 SOLDERABILITY: 95% WETTING MIN. AFTER 5 SECONDS DIP IN
 230° SOLDER

ENVIRONMENTAL

STORAGE TEMPERATURE RANGE: -40° C TO +100° C
 OPERATING TEMPERATURE RANGE: -40° C TO +85° C
 PART SHALL WITHSTAND REFLOW SOLDER TEMPERATURE OF 240° C
 FOR 10 SECONDS

TAPE REEL PACKAGING:

WIDTH: 24MM
 PITCH: 12MM
 ORIENTATION: JACK OPENING FACING SIDE WITH SPROCKET HOLES
 REEL DIAMETER: 382MM

QUALIFICATION REQUIREMENTS

TEMPERATURE SHOCK: -40° C TO +85° C, 32 CYCLES, 30
 MINUTES DWELL, 20 SEC. MAX. TRANSITION
 STATIC HUMIDITY: 70° C, 90 TO 95% RH FOR 240 HOURS
 VIBRATION:
 RANDOM: 6 G'S, 10-2000 Hz, 0.04G²/Hz, 15 MINUTES
 PER PLANE, MAX. OF 1 MICROSECOND DISCONTINUITY
 SINUSOIDAL: 15 G'S, 10-60 Hz, 30 MINUTES PER PLANE,
 MAX. OF 1 MICROSECOND DISCONTINUITY
 MECHANICAL SHOCK: 3000 G'S, 1/2 SINE PULSE, .3 MILLI-
 SECONDS, 3 SHOCKS PER PLANE (18 SHOCKS TOTAL), MAX.
 OF 1 MICROSECOND DISCONTINUITY



TITLE: AUDIO JACK		PART NO: SI-580	
DATE: 11/17/99	DRAWN: HV	CHKD:	SCALE: SHEET: 2 OF 2