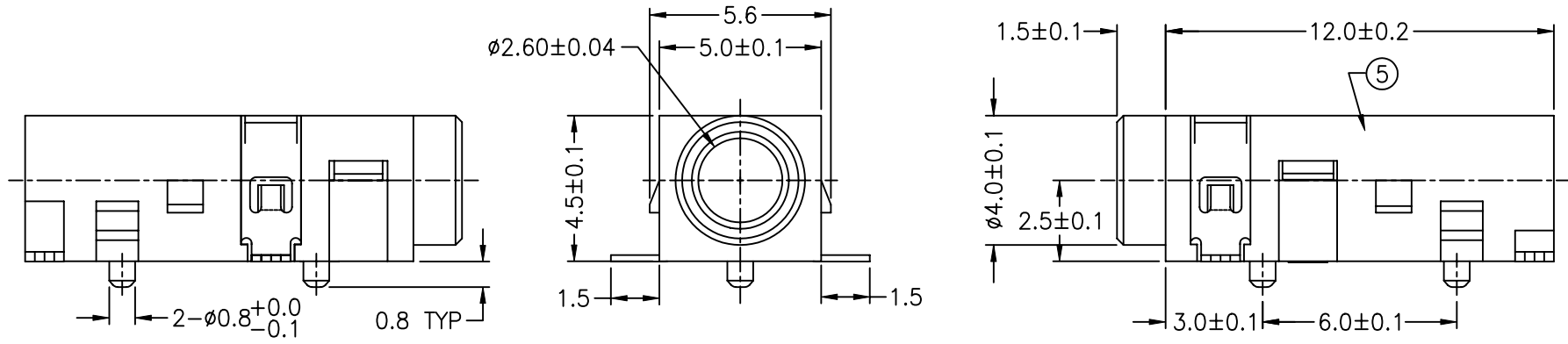


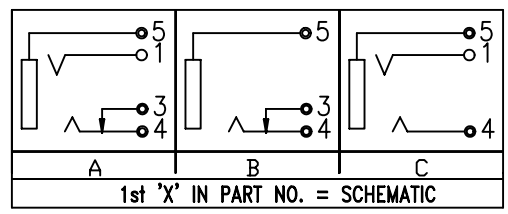
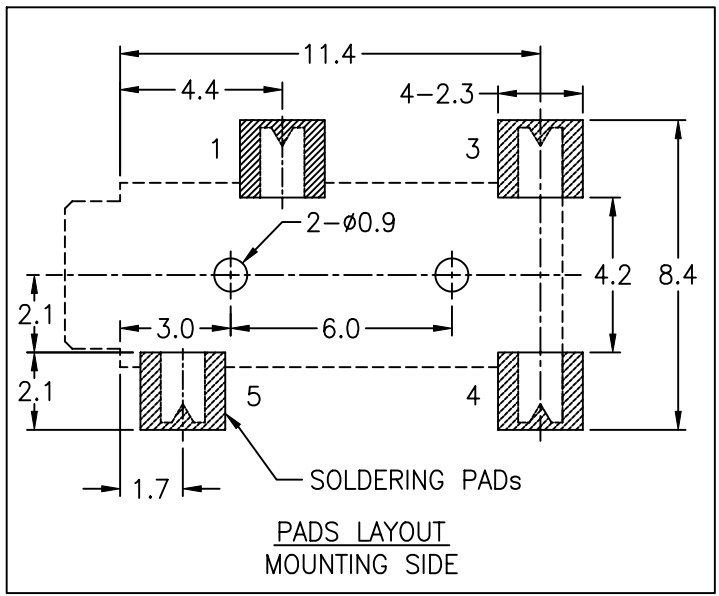
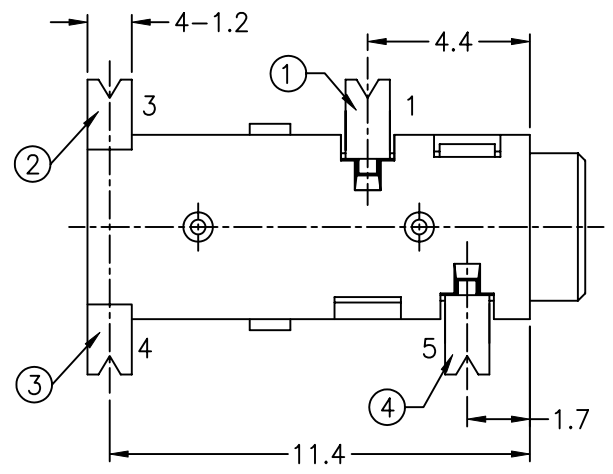
COMPONENT SPECIFICATION

USE OR REPRODUCTION OF THIS DRAWING FOR THE PURPOSE OF MANUFACTURING THIS ARTICLE OR ANY ARTICLES SHOWN FOR ANY PURPOSE IS STRICTLY PROHIBITED WITHOUT WRITTEN PERMISSION FROM SENIOR INDUSTRIES, INC.

A



B



PART NO. :	2nd 'X' IN PART NO. = PACKAGING:
SI-579-X -X	Tape Reel (1000 PCS/REEL)
SI-579-X-1-X	Bulk

ITEM	NAME	Q'TY	MATERIAL/FINISH
5	HOUSING	1	LCP, UL94V-0, BLACK
4	SLEEVE	1	PBS - SILVER OR GOLD PLATED
3	TIP SPRING	1	Cu ALLOY - SILVER OR GOLD PLATED
2	TIP SHUNT	1	BRASS - SILVER OR GOLD PLATED
1	RING SPRING	1	PBS - SILVER OR GOLD PLATED

C



DESIGNED:			SYM.	DATE:	DESCRIPTION OF REVISIONS:	DRAWN:	APPD:	TOLERANCE:	PART NO:	SI-579-X-X-X
DRAWN:	GAT	04/25/05	▲	03.20.00	NEW	RB	JF	TO 1 DECIMAL PLACE: ±.3 TO 2 DECIMAL PLACES: ±.12	TITLE:	ø2.5mm SMT AUDIO JACK-Mono
CHECKED:	GAT	09/22/05	▲	04.25.05	Dwg updated. Added 'X's in Part No. Schematics.	GAT	JF		SHEET:	1 OF 2
APPROVED:	JF	09/22/05	▲	09.22.05	Corr '-1' option from 'Tray' pack. to 'Bulk' pack.	GAT	JF	AS ANGLES:	±1/2'	
3RD ANGLE		UNIT:	mm	SCALE:	1:1	REV:	C			

1

2

3

4

5

COMPONENT SPECIFICATION

USE OR REPRODUCTION OF THIS DRAWING FOR THE PURPOSE OF MANUFACTURING THIS ARTICLE OR ANY ARTICLES SHOWN FOR ANY PURPOSE IS STRICTLY PROHIBITED WITHOUT WRITTEN PERMISSION FROM SENIOR INDUSTRIES, INC.

SPECIFICATIONS

ELECTRICAL

CONTACT RATING: 0.3A @ 16V DC
CONTACT RESISTANCE:
PLUG TO CONTACTS: 50 MILLIOHMS MAX.
CONTACT TO SHUNT: 30 MILLIOHMS MAX.
INSULATION RESISTANCE: 100 MEGOHMS MIN. @ 250 VDC
DIELECTRIC STRENGTH: 250V AC FOR 1 MINUTE

MECHANICAL

LIFE: 5,000 CYCLES
INSERTION FORCE: 0.4 Kg TO 3.0 Kg
WITHDRAWAL FORCE: 0.4 Kg TO 3.0 Kg

ENVIRONMENTAL

STORAGE TEMPERATURE: -40°C TO +100°C
OPERATING TEMPERATURE: -25°C TO +85°C

PACKAGING:

TAPE WIDTH: 24mm
TAPE PITCH: 11mm
REEL SIZE: 380mm

NOTE:

3rd 'X' IN PART NUMBER DENOTES PLATING: BLANK - SILVER
G - GOLD



Table with columns for DESIGNED, DRAWN, CHECKED, APPROVED, SYM, DATE, DESCRIPTION OF REVISIONS, DRAWN, APPD, TOLERANCE, PART NO, TITLE, SHEET, and 3RD ANGLE. Includes revision history and drawing details.