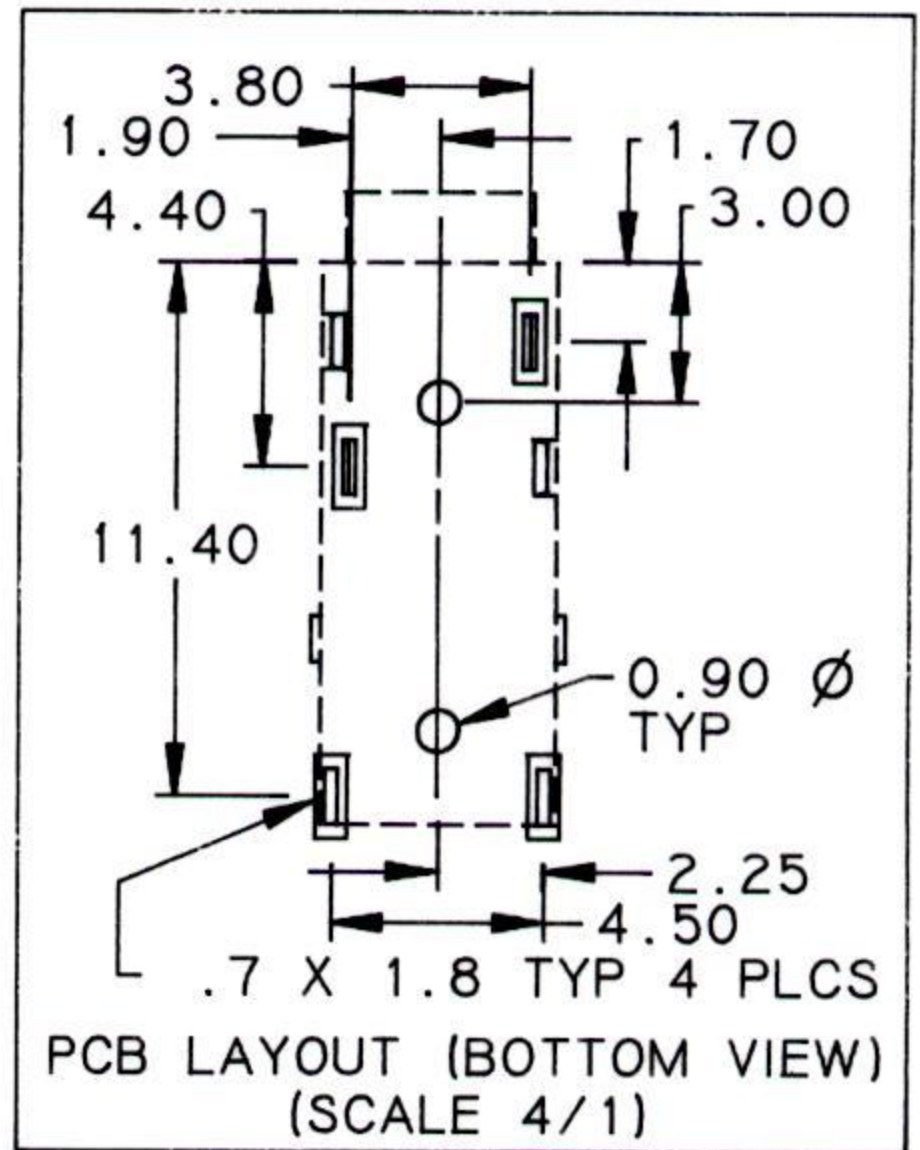
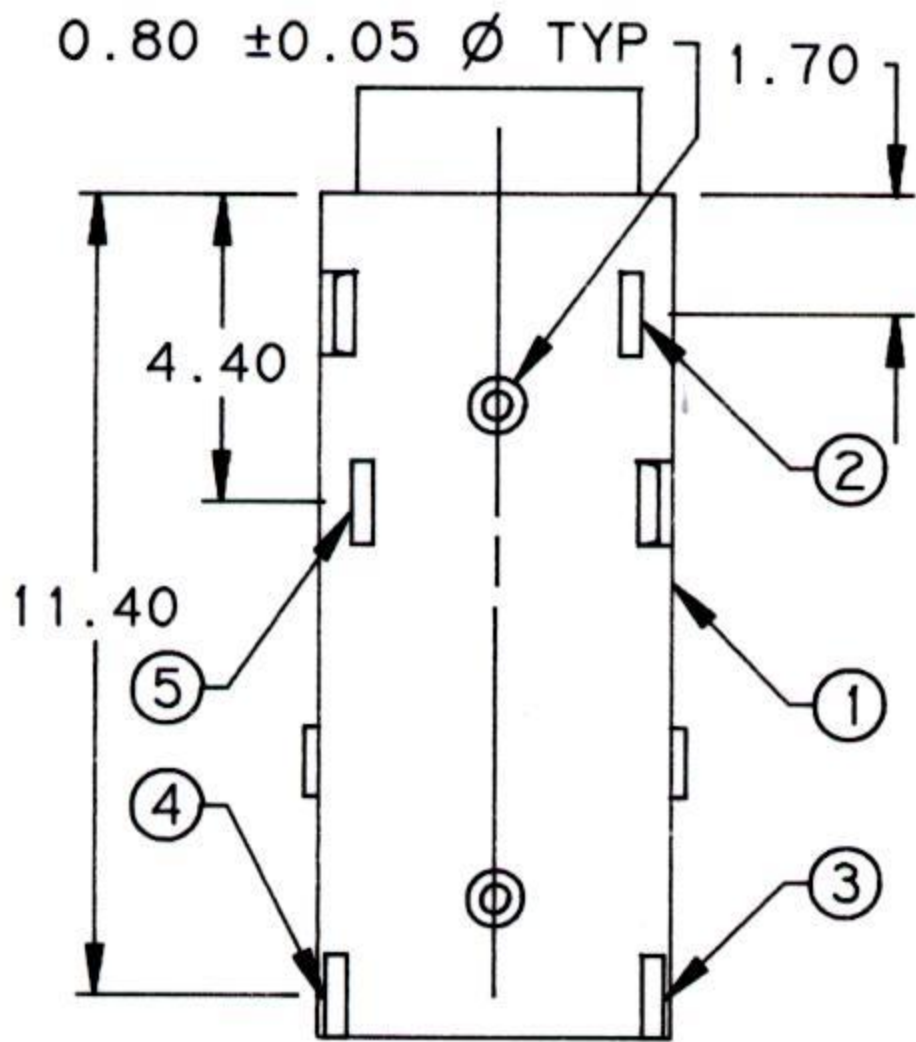
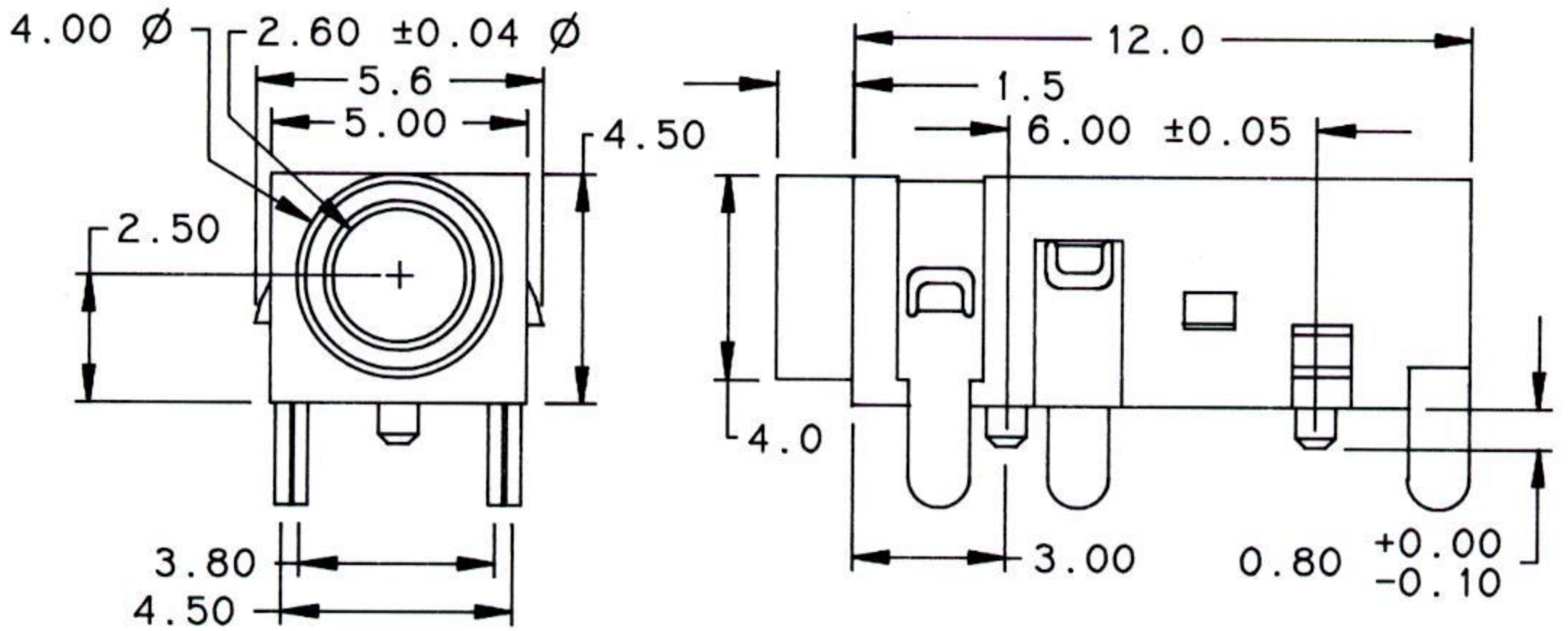


UNLESS OTHERWISE SPECIFIED, ALL DIMENSIONS ARE IN METRIC.

TO 1 DECIMAL PLACE ±.3
 TO 2 DECIMAL PLACES ±.12
 AS ANGLES ±

ISSUE	DATE
A	04/28/00



ITEM	DESCRIPTION	QTY	MATERIAL/FINISH
5	RING	1	PHOSPHOR BRONZE, SILVER OR GOLD PLATED
4	TIP SHUNT	1	BRASS, SILVER OR GOLD PLATED
3	TIP	1	PHOSPHOR BRONZE, SILVER OR GOLD PLATED
2	SLEEVE	1	PHOSPHOR BRONZE, SILVER OR GOLD PLATED
1	HOUSING	1	POLYAMIDE, UL94V-0, BLACK



TITLE: AUDIO JACK		PART NO: SI-579T-X	
DATE: 02/08/00	DRAWN: HV	CHKD: <i>[Signature]</i>	SCALE: 6/1
		SHEET: 1 OF 2	

UNLESS OTHERWISE SPECIFIED, ALL DIMENSIONS ARE IN METRIC.

TO 1 DECIMAL PLACE ±
TO 2 DECIMAL PLACES ±
AS ANGLES ±

ISSUE

DATE

A

03/01/00

SPECIFICATIONS

ELECTRICAL

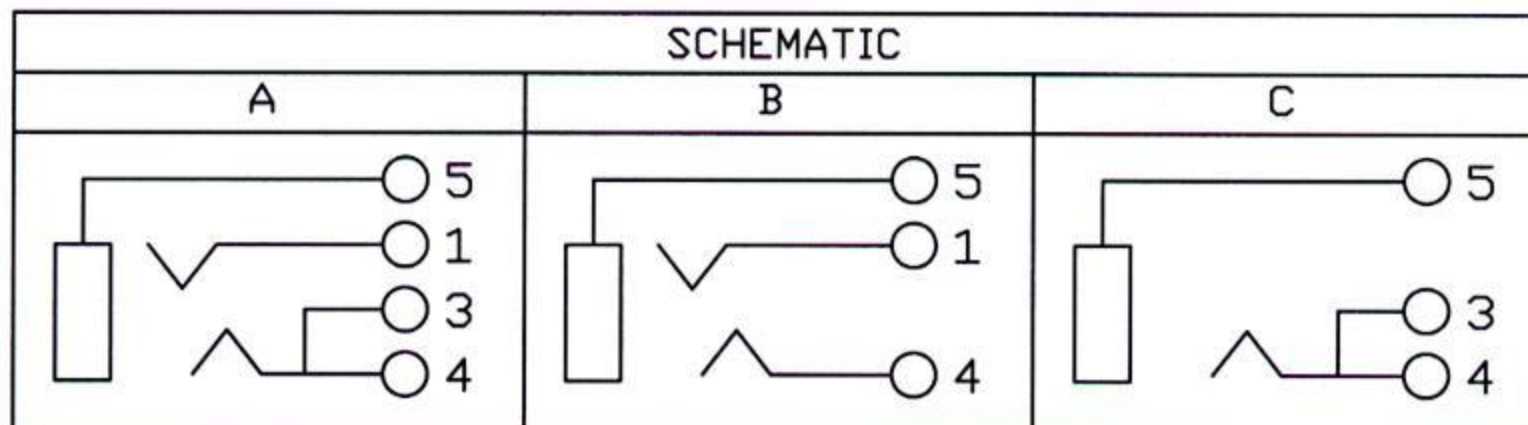
CONTACT RESISTANCE: 30 MILLIOHMS MAX.
INSULATION RESISTANCE: 100 MEGOHMS MIN. AT 500 VDC
DIELECTRIC STRENGTH: 500 VRMS FOR 1 MINUTE

MECHANICAL

INSERTION FORCE: 0.3 - 3.0 KG
WITHDRAWAL FORCE: 0.3 - 3.0 KG
OPERATING LIFE: 5,000 CYCLES

NOTE:

'X' IN PART NUMBER DENOTES PLATING - BLANK FOR SILVER OR
'G' FOR GOLD



**SENIOR
INDUSTRIES, INC.**

TITLE:

AUDIO JACK

PART NO:

SI-579T-X

DATE:

02/08/00

DRAWN:

HV

CHKD:

SCALE:

SHEET:

2 OF 2