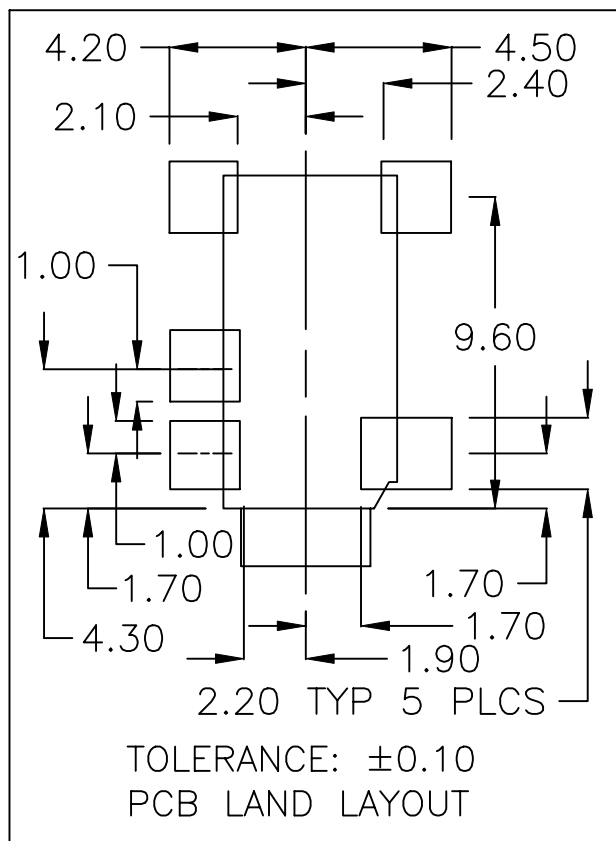
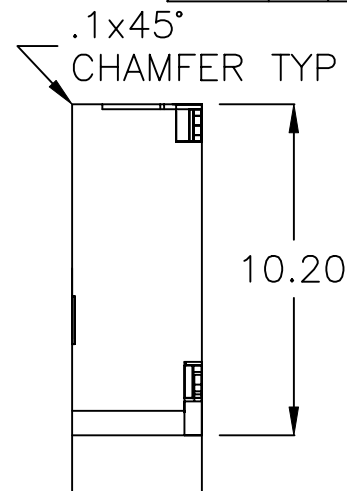
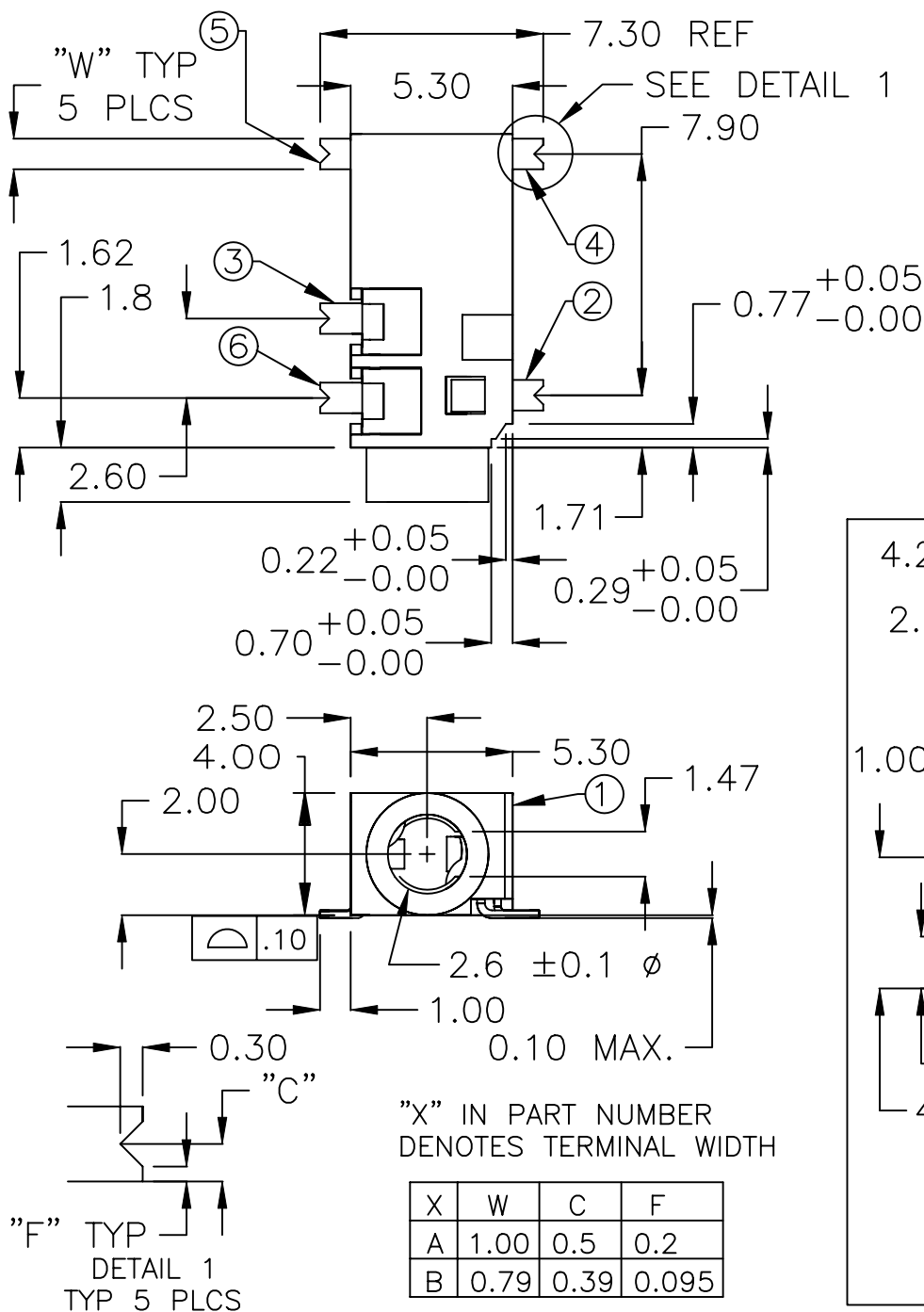


UNLESS OTHERWISE SPECIFIED, ALL DIMENSIONS ARE IN METRIC.

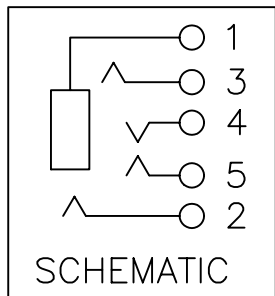
TO 1 DECIMAL PLACE ±.3  
 TO 2 DECIMAL PLACES ±.12  
 AS ANGLES ±1/2°

ISSUE	DATE
B	04/12/00
C	12/03/01



"X" IN PART NUMBER DENOTES TERMINAL WIDTH

X	W	C	F
A	1.00	0.5	0.2
B	0.79	0.39	0.095



ITEM	DESCRIPTION	QTY	MATERIAL/FINISH
6	SLEEVE SPRING (B)	1	0.2MM BeCu ALLOY, GOLD OVER Ni.
5	TIP SPRING (B)	1	0.2MM CuTi ALLOY, GOLD OVER Ni.
4	TIP SPRING (A)	1	0.2MM CuTi ALLOY, GOLD OVER Ni.
3	RING SPRING	1	0.2MM BeCu ALLOY, GOLD OVER Ni.
2	SLEEVE SPRING (A)	1	0.2MM BeCu ALLOY, GOLD OVER Ni.
1	HOUSING	1	POLYAMIDE FR52, BLACK



TITLE: AUDIO JACK		PART NO: SI-577-X	
DATE: 05/21/99	DRAWN: HV	CHKD:	SCALE: 4/1
			SHEET: 1 OF 2

UNLESS OTHERWISE SPECIFIED, ALL DIMENSIONS ARE IN METRIC.

TO 1 DECIMAL PLACE ±  
TO 2 DECIMAL PLACES ±  
AS ANGLES ±1/2°

ISSUE	DATE
B	04/12/00
C	12/03/01

SPECIFICATIONS

ELECTRICAL

CONTACT RATING: 1A AT 12 VDC  
 CONTACT RESISTANCE: 30 MILLIOHMS MAX.  
 INSULATION RESISTANCE: 100 MEGOHMS MIN. AT 500 VDC  
 DIELECTRIC STRENGTH: 500 VRMS FOR 1 MINUTE

MECHANICAL

INSERTION FORCE: 300-3,000 GRAMS  
 WITHDRAWAL FORCE: 300-3,000 GRAMS  
 OPERATING LIFE: 6,000 CYCLES  
 CONTACT RETENTION FORCE: 80 GRAMS  
 CONTACT PLATING: 3-10µIN GOLD OVER 50µIN NICKEL  
 SOLDERABILITY: 95% WETTING MIN. AFTER 5 SECONDS DIP IN 230°C SOLDER

ENVIRONMENTAL

STORAGE TEMPERATURE RANGE: -40°C TO +100°C  
 OPERATING TEMPERATURE RANGE: -40°C TO +85°C  
 PART SHALL WITHSTAND REFLOW SOLDER TEMPERATURE OF 240°C FOR 10 SECONDS

TAPE REEL PACKAGING:

WIDTH: 24MM  
 PITCH: 12MM  
 ORIENTATION: JACK OPENING FACING SIDE WITH SPROCKET HOLES  
 REEL DIAMETER: 382MM

QUALIFICATION REQUIREMENTS

TEMPERATURE SHOCK: -40°C TO +85°C, 32 CYCLES, 30 MINUTES DWELL, 20 SEC. MAX. TRANSITION  
 STATIC HUMIDITY: 70 °C, 90 TO 95% RH FOR 240 HOURS  
 VIBRATION:  
 RANDOM: 6 G'S, 10-2000 Hz, 0.04G<sup>2</sup>/Hz, 15 MINUTES PER PLANE, MAX. OF 1 MICROSECOND DISCONTINUITY  
 SINUSOIDAL: 15 G'S, 10-60 Hz, 30 MINUTES PER PLANE, MAX. OF 1 MICROSECOND DISCONTINUITY  
 MECHANICAL SHOCK: 3000 G'S, 1/2 SINE PULSE, .3 MILLI-SECONDS, 3 SHOCKS PER PLANE (18 SHOCKS TOTAL), MAX. OF 1 MICROSECOND DISCONTINUITY



TITLE: AUDIO JACK		PART NO: SI-577-X	
DATE: 05/21/99	DRAWN: HV	CHKD:	SCALE: SHEET: 2 OF 2