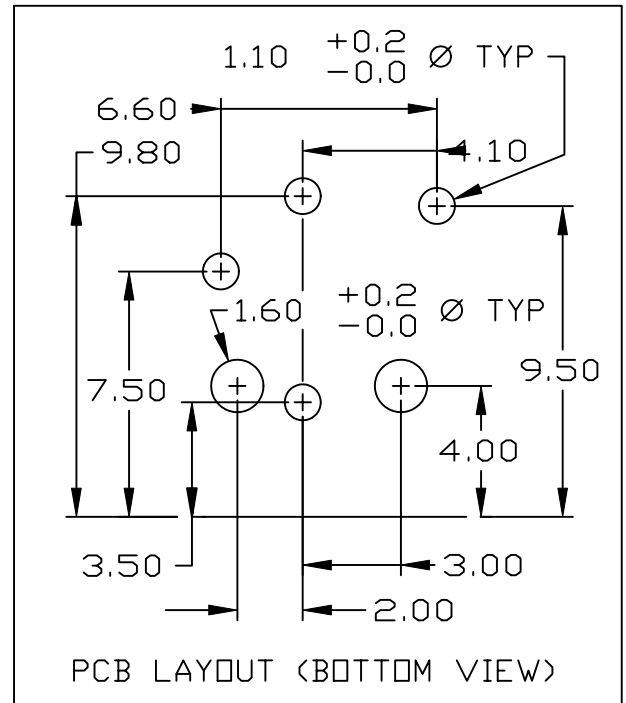
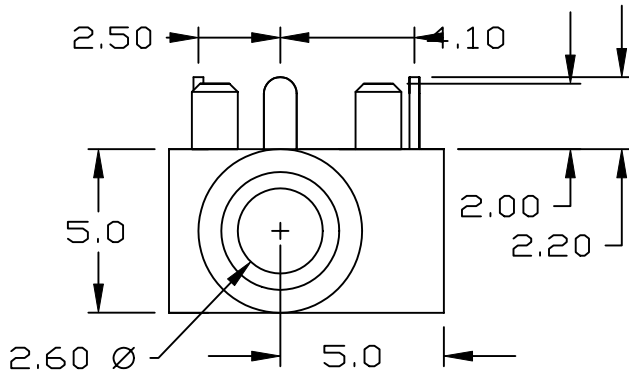
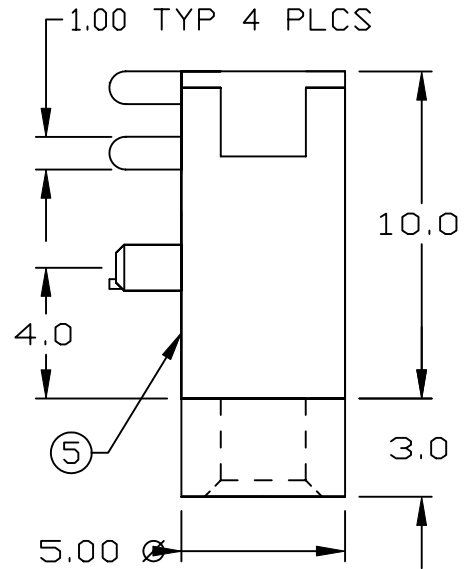
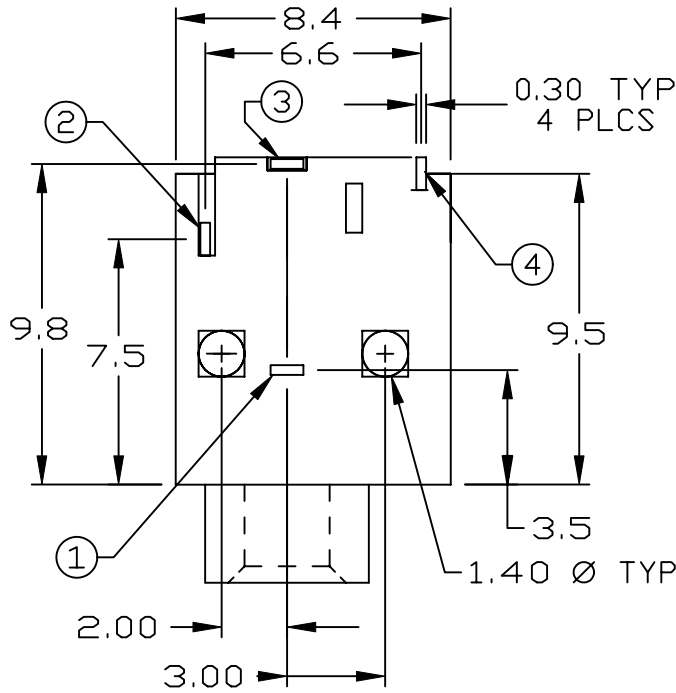


UNLESS OTHERWISE SPECIFIED, ALL DIMENSIONS ARE IN METRIC.

TO 1 DECIMAL PLACE ±.3
 TO 2 DECIMAL PLACES ±.13
 AS ANGLES ±

ISSUE	DATE
A	04/03/97



5	HOUSING	POM, UL94HB - BLACK
4	TIP	PHOSPHOR BRONZE - SILVER PLATED
3	SHUNT	BRASS - SILVER PLATED
2	RING	PHOSPHOR BRONZE - SILVER PLATED
1	SLEEVE	PHOSPHOR BRONZE - SILVER PLATED
ITEM	DESCRIPTION	MATERIAL/FINISH



TITLE: AUDIO JACK		PART NO: SI-572X	
DATE: 03/18/96	DRAWN: HV	CHKD:	SCALE: 4/1
		SHEET: 1 OF 2	

SPECIFICATIONS

ELECTRICAL

CONTACT RESISTANCE: 30 MILLIOHMS MAX.
 INSULATION RESISTANCE: 100 MEGOHMS MIN. AT 500 VDC
 DIELECTRIC STRENGTH: 500 VAC FOR 60 SECONDS

MECHANICAL

INSERTION FORCE: 0.3 TO 2.0 Kg
 WITHDRAWAL FORCE: 0.3 TO 2.0 Kg
 LIFE: 5000 CYCLES

