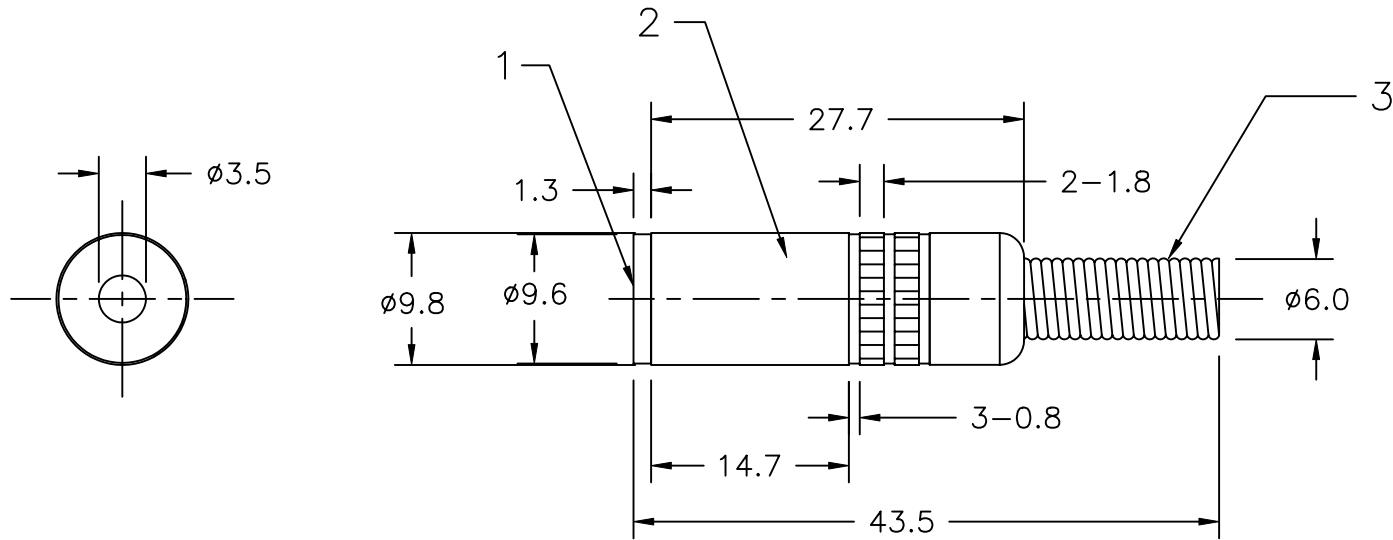


COMPONENT SPECIFICATION

USE OR REPRODUCTION OF THIS DRAWING FOR THE PURPOSE OF MANUFACTURING THIS ARTICLE OR ANY ARTICLES SHOWN FOR ANY PURPOSE IS STRICTLY PROHIBITED WITHOUT WRITTEN PERMISSION FROM SENIOR INDUSTRIES, INC.



ITEM	PART	QT'Y	MATERIAL/FINISH
1	ø3.5mm STEREO JACK	1	BRASS, NICKEL PLATED
2	HOOD	1	METAL ASSEMBLY, NICKEL PLATED
3	SPRING	1	SPRING STEEL, NICKEL PLATED



SENIOR INDUSTRIES, INC.

DESIGNED:			SYM.	DATE:	DESCRIPTION OF REVISIONS:	DRAWN:	APPD:
DRAWN:	GAT	01/05/06	▲	01.05.06	NEW	GAT	JF
CHECKED:	GAT	10/15/07	▲	01.12.05	Spring mater. corr from Brass to Steel, Ni plated	GAT	JF
APPROVED:	JF	10/15/07	▲	01.13.06	Up'd spring mater. fr Steel to Spring Steel, Ni pl	GAT	JF
			▲	10.15.07	Corr jack type from monostereo to stereo	GAT	JF

TOLERANCE:	PART NO:	SI-569A
TO 1 DECIMAL PLACE: ±.3	TITLE:	AUDIO JACK, CABLE MOUNT
TO 2 DECIMAL PLACES: ±.12	SHEET:	1 OF 1
AS ANGLES: ±1/2°		

3RD ANGLE		UNIT: mm	SCALE: 1:1	REV: D
-----------	--	----------	------------	--------