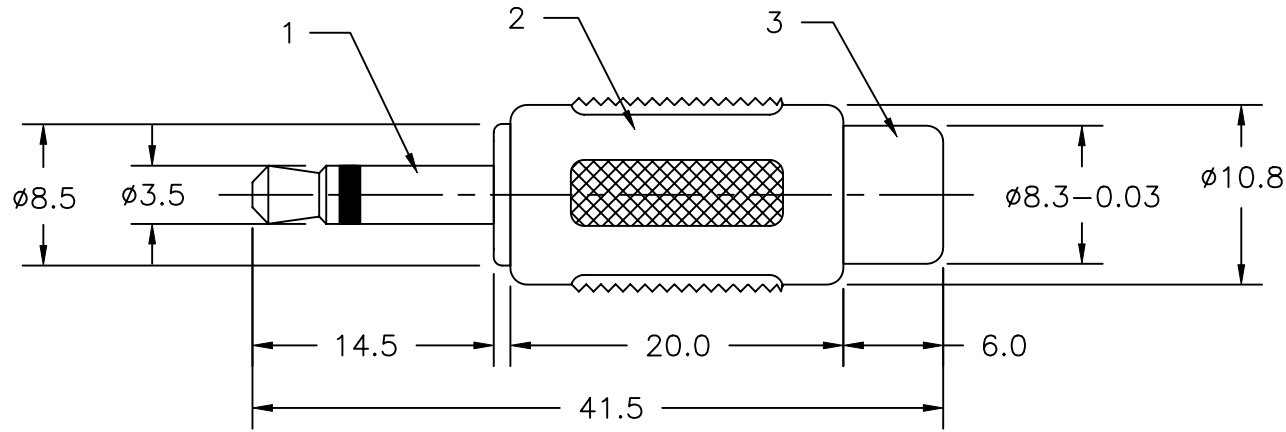


COMPONENT SPECIFICATION

USE OR REPRODUCTION OF THIS DRAWING FOR THE PURPOSE OF MANUFACTURING THIS ARTICLE OR ANY ARTICLES SHOWN FOR ANY PURPOSE IS STRICTLY PROHIBITED WITHOUT WRITTEN PERMISSION FROM SENIOR INDUSTRIES, INC.



ITEM	PART	QT'Y	MATERIAL/FINISH
1	$\phi 3.5$ mm MONO PLUG	1	BRASS, NICKEL PLATED
2	HOOD	1	MOLDED PVC, BLACK
3	RCA JACK	1	BRASS, NICKEL PLATED



SENIOR INDUSTRIES, INC.

DESIGNED:	DATE:	DESCRIPTION OF REVISIONS:	DRAWN:	APPD:
GAT	01/05/06	NEW	HV	JF
GAT	01/05/06	Gen dwg updated per manuf spec	GAT	JF
GAT				
JF	01/05/06			

TOLERANCE:
TO 1 DECIMAL PLACE: $\pm .3$
TO 2 DECIMAL PLACES: $\pm .13$

PART NO:	SI-566
TITLE:	AUDIO ADAPTER

3RD ANGLE		UNIT: mm	SCALE: 3:1	REV: B
------------------	--	----------	------------	--------

AS ANGLES: $\pm 1/2^\circ$	SHEET: 1 OF 1
----------------------------	---------------