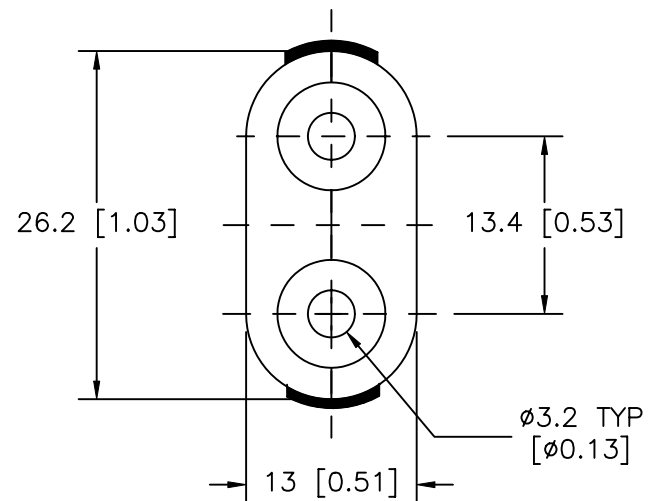
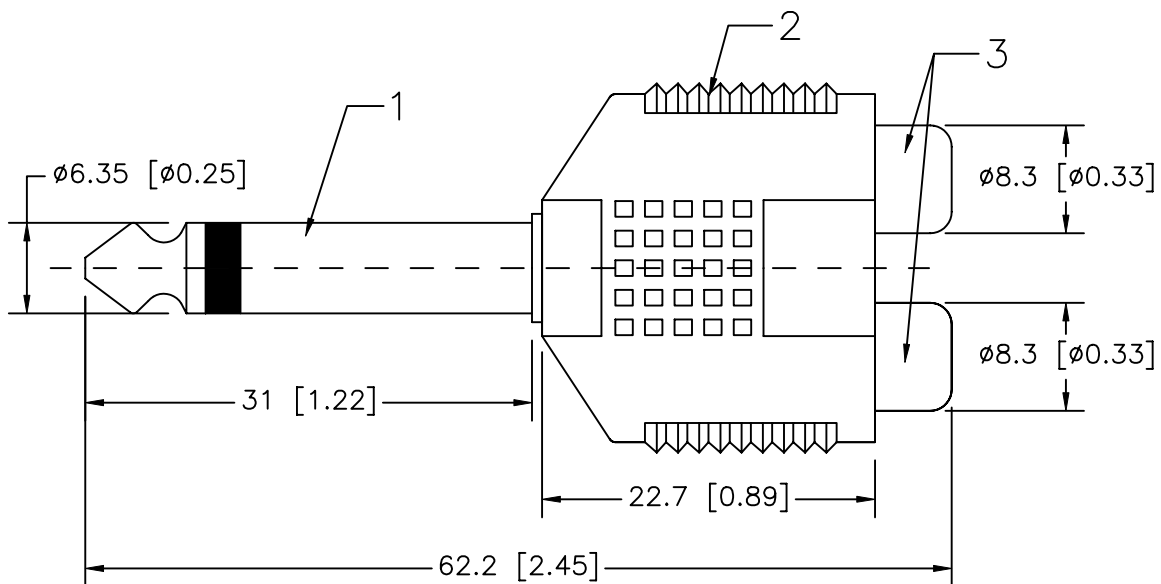


COMPONENT SPECIFICATION

USE OR REPRODUCTION OF THIS DRAWING FOR THE PURPOSE OF MANUFACTURING THIS ARTICLE OR ANY ARTICLES SHOWN FOR ANY PURPOSE IS STRICTLY PROHIBITED WITHOUT WRITTEN PERMISSION FROM SENIOR INDUSTRIES, INC.



ITEM	DESCRIPTION	QT'Y	MATERIAL/FINISH
1	6.3 mm MONO PLUG	1	BRASS, NICKEL PLATED
2	HOOD ASS'Y	1	ABS, BLACK
3	2RCA JACK	2	BRASS; NICKEL PLATED



SENIOR INDUSTRIES, INC.

DESIGNED:		SYM.	DATE:	DESCRIPTION OF REVISIONS:	DRAWN:	APPD:
DRAWN:	GAT	07/28/06	07.28.06	NEW	GAT	JF
CHECKED:	GAT	07/28/06	.			
APPROVED:	JF	07/28/06	.			

TOLERANCE:	PART NO:	SI-554
TO 1 DECIMAL PLACE: ±.2	TITLE:	AUDIO ADAPTER
TO 2 DECIMAL PLACES: ±.10	SHEET:	1 OF 1

3RD ANGLE	UNIT:	mm	SCALE:	2:1	REV.	A
-----------	-------	----	--------	-----	------	---

AS ANGLES:	±1/2°
------------	-------