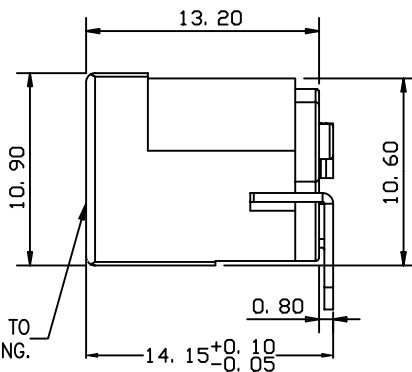
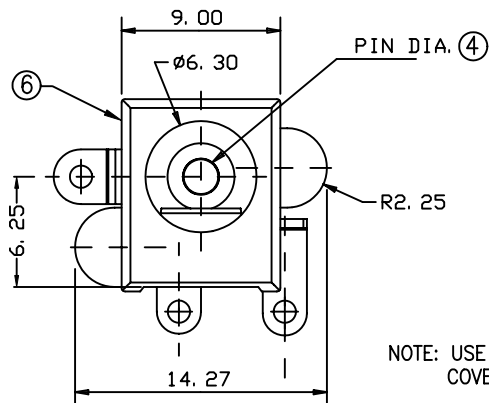
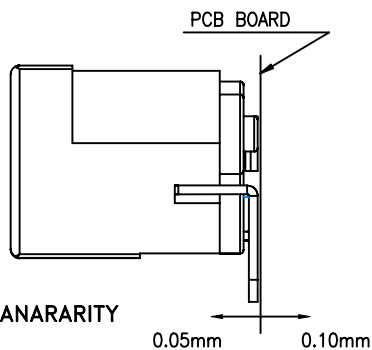
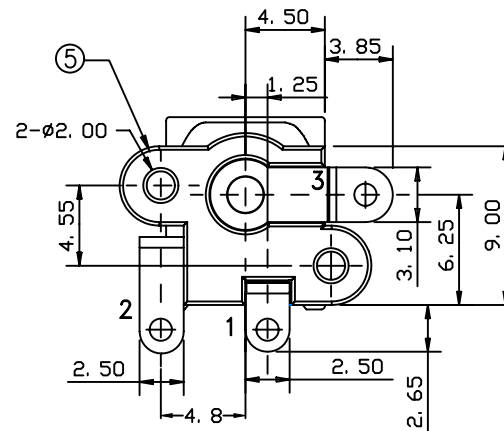


COMPONENT SPECIFICATION

USE OR REPRODUCTION OF THIS DRAWING FOR THE PURPOSE OF MANUFACTURING THIS ARTICLE OR ANY ARTICLES SHOWN FOR ANY PURPOSE IS STRICTLY PROHIBITED WITHOUT WRITTEN PERMISSION FROM SENIOR INDUSTRIES, INC.

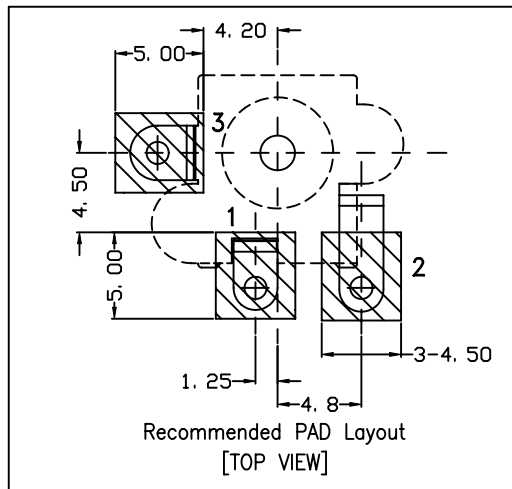


NOTE: USE KAPTON TAPE TO COVER JACK OPENING.

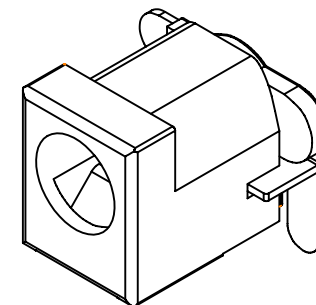
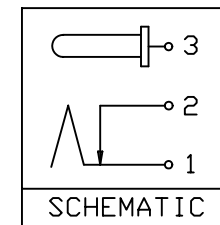


COPLANARITY

0.05mm 0.10mm



Recommended PAD Layout [TOP VIEW]



ITEM	NAME	Q'TY	MATERIAL FINISH
6	HOUSING	1	LCP, 30%, UL94V-0, BLACK
5	BOTTOM COVER	1	POLYAMIDE, 30%, UL94V-0, BLACK
4	PIN(Ø2.0/Ø2.5mm)	1	COPPER ALLOY- NICKEL PLATED
3	PIN TERMINAL	1	0.40mm BRASS - SILVER PLATED
2	SLEEVE SHUNT	1	0.40mm BRASS - SILVER PLATED
1	SLEEVE SPRING	1	0.30mm PBS- SILVER PLATED

1st 'X' = PIN Ø	DIA.	TOLER.
A	2.00	+0.0 -0.1
B	2.50	+0.0 -0.1

PART NO.	2nd 'X' IN PART NO. = PACKAGING:
SI-545-A	TAPE & REEL (250 PCS/REEL)
SI-545-A-1	BULK
SI-545-B	TAPE & REEL (250 PCS/REEL)
SI-545-B-1	BULK



**SENIOR INDUSTRIES, INC.**

DESIGNED:	DRAWN:	CHECKED:	APPROVED:	SYM:	DATE:	DESCRIPTION OF REVISIONS:	DRAWN:	APPD:
	GAT	GAT	JF	▲	11.20.00	NEW	RB	JF
				▲	12.26.00	Added note on page1. Tape/Reel info on page2	RB	JF
				▲	04.28.05	Updated dwg/spec to match parts. 'X's on PNo.	GAT	JF
				▲	09.22.05	Corr '-1' option from 'Tray' pack. to 'Bulk' pack.	GAT	JF

TOLERANCE:

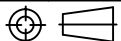
TO 1 DECIMAL PLACE: ±.3

TO 2 DECIMAL PLACES: ±.13

AS ANGLES: ±1/2°

PART NO:	SI-545-X-X
TITLE:	Ø2.0/Ø2.5mm VERTICAL, SMT DC POWER JACK
SHEET:	1 OF 2

3RD ANGLE



UNIT:

mm

SCALE:

2:1

REV:

D

1

2

3

4

5

COMPONENT  
SPECIFICATIONUSE OR REPRODUCTION OF THIS DRAWING FOR THE PURPOSE OF MANUFACTURING THIS  
ARTICLE OR ANY ARTICLES SHOWN FOR ANY PURPOSE IS STRICTLY PROHIBITED WITHOUT  
WRITTEN PERMISSION FROM SENIOR INDUSTRIES, INC.SPECIFICATIONS:ELECTRICAL:

CONTACT RATING: 4A @ 18 VDC  
 CONTACT RESISTANCE:  
     PLUG TO CONTACTS: 50 MILLIOHMS MAX.  
     CONTACT TO SHUNT: 30 MILLIOHMS MAX.  
 INSULATION RESISTANCE: 100 MEGOHMS MIN. @ 500V DC  
 DIELECTRIC STRENGTH: 500 VAC FOR 1 MINUTE

MECHANICAL

LIFE CYCLE: 5,000 CYCLES  
 INSERTION FORCE: 0.3 Kg TO 2.0 Kg  
 WITHDRAWAL FORCE: 0.3 Kg TO 3.0 Kg

ENVIRONMENTAL:

OPERATING TEMPERATURE: -25°C TO +85°C

PACKAGING:

TAPE WIDTH: 44mm  
 TAPE PITCH: 23mm  
 REEL SIZE: 380mm


**SENIOR  
INDUSTRIES, INC.**

DESIGNED:			SYM.	DATE	DESCRIPTION OF REVISIONS:	DRAWN:	APPD:	TOLERANCE:	PART NO:	SI-545-X-X
DRAWN:	GAT	04/25/05	▲	11.20.00	NEW	RB	JF			
CHECKED:	GAT	09/22/05	▲	12.26.00	Added note on page1. Tape/Reel info on page2	RB	JF			
APPROVED:	JF	09/22/05	▲	04.28.05	Updated dwg/spec to match parts. 'X's on PNo.	GAT	JF	AS ANGLES: ±	SHEET:	2 OF 2
			▲	09.22.05	Corr '-1' option from 'Tray' pack. to 'Bulk' pack.	GAT	JF			
<b>3RD ANGLE</b>			UNIT:	mm	SCALE:		REV:	D		

A

B

C