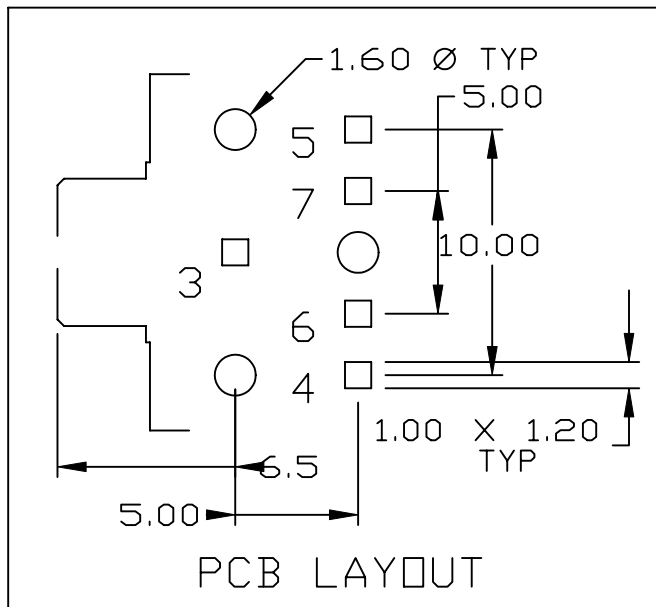
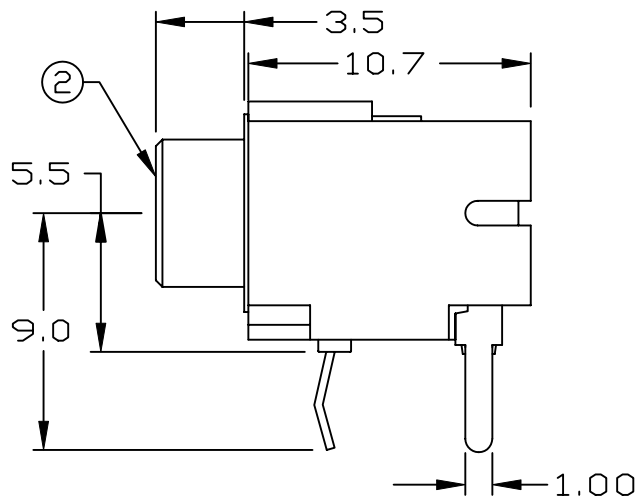
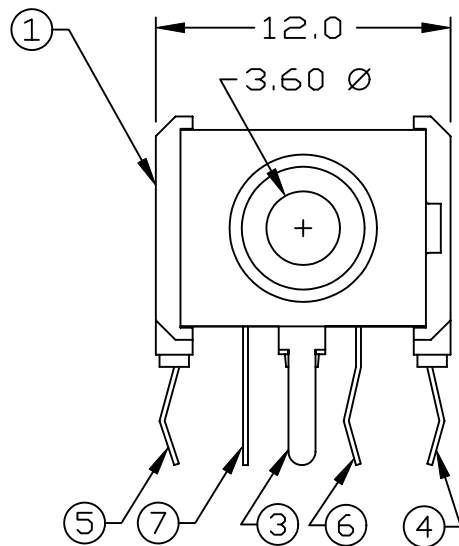


UNLESS OTHERWISE SPECIFIED, ALL DIMENSIONS ARE IN METRIC.

TO 1 DECIMAL PLACE ±.3
 TO 2 DECIMAL PLACES ±.13
 AS ANGLES ±1/2°

ISSUE
 A

DATE
 03/27/97



NOTE: T = THREADED BUSHING (M6XP0.5)
 N = NON THREADED BUSHING

ITEM	DESCRIPTION	MATERIAL/FINISH
7	SHUNT TERMINAL - B	BRASS 0.4MM THICK - SILVER PLATED
6	SHUNT TERMINAL - A	BRASS 0.4MM THICK - SILVER PLATED
5	RING	PHOSPHOR BRONZE 0.25MM THICK - SILVER PLATED
4	TIP	PHOSPHOR BRONZE 0.3MM THICK - SILVER PLATED
3	SLEEVE	STEEL 0.5MM THICK - SILVER PLATED
2	BUSHING	BRASS - NICKEL PLATED
1	HOUSING	PBT - BLACK, UL94V-0



TITLE: AUDIO JACK		PART NO: SI-540XX	
DATE: 03/27/97	DRAWN: HV	CHKD:	SCALE: 3/1
		SHEET: 1 OF 2	

UNLESS OTHERWISE SPECIFIED, ALL DIMENSIONS ARE IN METRIC.

TO 1 DECIMAL PLACE ±
TO 2 DECIMAL PLACES ±
AS ANGLES ±

ISSUE

DATE

A

03/27/97

SPECIFICATIONS

ELECTRICAL

CONTACT RESISTANCE: 30 MILLIOHMS MAX.

INSULATION RESISTANCE: 100 MEGOHMS MIN. AT 500 VDC

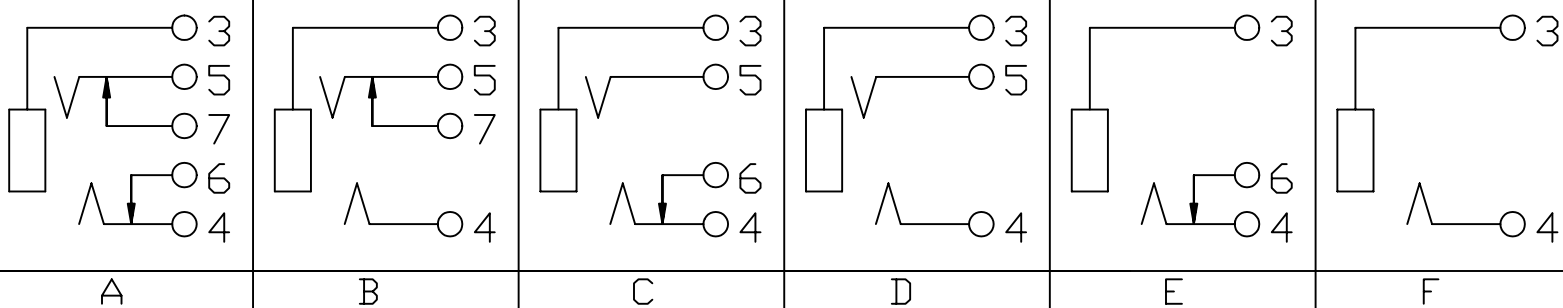
DIELECTRIC STRENGTH: 500 VAC FOR 60 SECONDS

MECHANICAL

LIFE: 5000 CYCLES

INSERTION FORCE: 0.3 - 2.0 Kg

WITHDRAWAL FORCE: 0.3 - 2.0 Kg



SCHEMATIC



**SENIOR
INDUSTRIES, INC.**

TITLE:

AUDIO JACK

PART NO:

SI-540XX

DATE:

03/27/97

DRAWN:

HV

CHKD:

SCALE:

SHEET:

2 OF 2