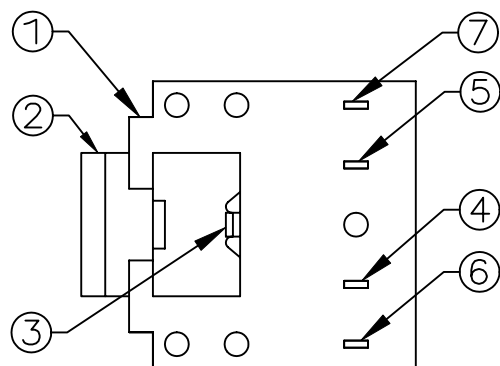
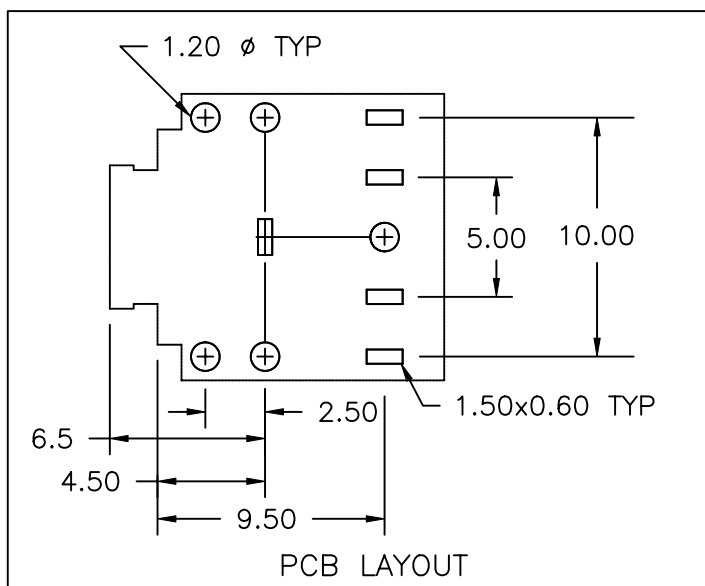
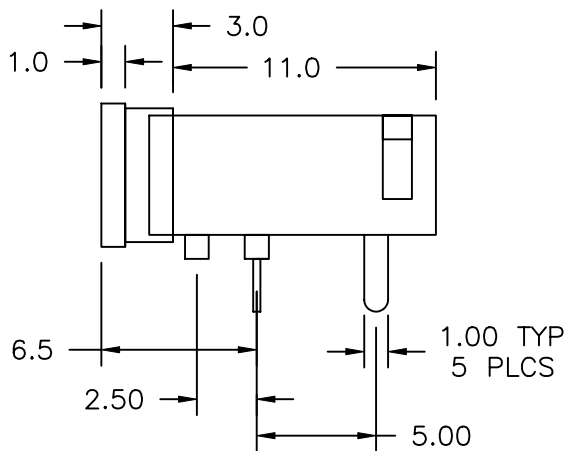
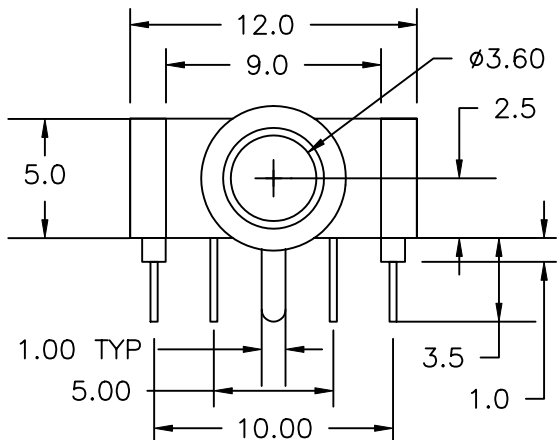


UNLESS OTHERWISE SPECIFIED, ALL DIMENSIONS ARE IN METRIC.

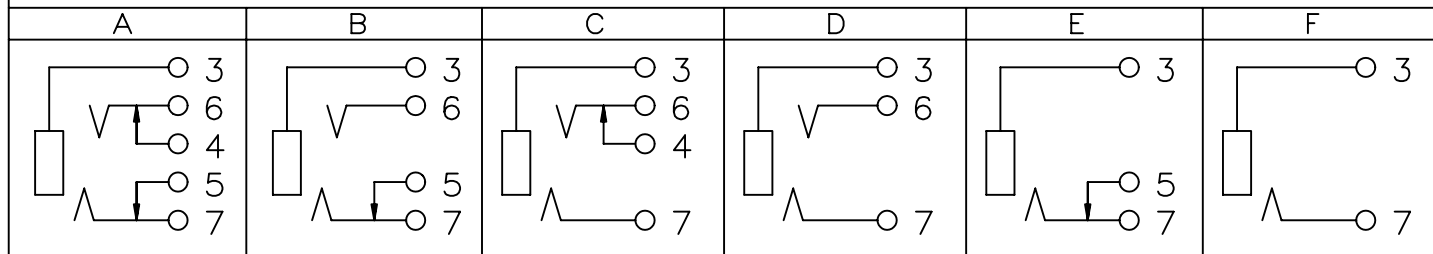
TO 1 DECIMAL PLACE ±.3  
 TO 2 DECIMAL PLACES ±.13  
 AS ANGLES ±1/2°

ISSUE  
 A

DATE  
 03/31/97



SCHEMATIC



7	TIP	TI-CU 0.25mm THICK - SILVER PLATED
6	RING	TI-CU 0.2mm THICK - SILVER PLATED
5	SHUNT TERMINAL-A	BRASS 0.3mm THICK- SILVER PLATED
4	SHUNT TERMINAL-B	BRASS 0.3mm THICK- SILVER PLATED
3	SLEEVE	PHOSPHOR BRONZE 0.25mm THICK - SILVER PLATED
2	BUSHING	BRASS - NICKEL PLATED
1	HOUSING	PBT - BLACK, UL94V-0
ITEM	DESCRIPTION	MATERIAL/FINISH



TITLE: AUDIO JACK PART NO: SI-537-X  
 DATE: 03/11/97 DRAWN: HV CHKD: SCALE: 3/1 SHEET: 1 OF 2

UNLESS OTHERWISE SPECIFIED, ALL DIMENSIONS ARE IN METRIC.

TO 1 DECIMAL PLACE ±  
TO 2 DECIMAL PLACES ±  
AS ANGLES ± °

ISSUE

DATE

A

03/31/97

SPECIFICATIONS

ELECTRICAL

CONTACT RESISTANCE: 30 MILLIOHMS MAX.  
INSULATION RESISTANCE: 100 MEGOHMS MIN. AT 500 VDC  
DIELECTRIC STRENGTH: 500 VAC FOR 1 MINUTE

MECHANICAL

LIFE: 5,000 CYCLES  
INSERTION FORCE: 0.3 Kg TO 2.0 Kg  
WITHDRAWAL FORCE: 0.3 Kg TO 2.0 Kg

NOTE: THE 'X' IN PART NUMBER DENOTES SCHEMATIC



**SENIOR  
INDUSTRIES, INC.**

TITLE:

AUDIO JACK

PART NO:

SI-537-X

DATE:

03/11/97

DRAWN:

HV

CHKD:

SCALE:

SHEET:

2 OF 2