

1

2

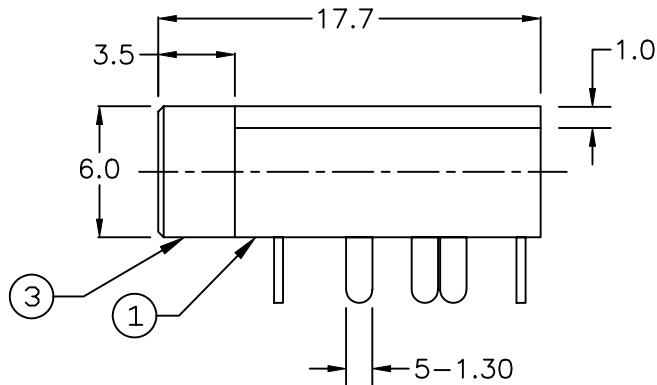
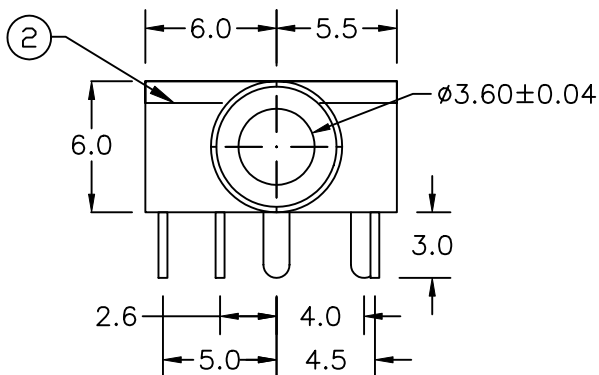
3

4

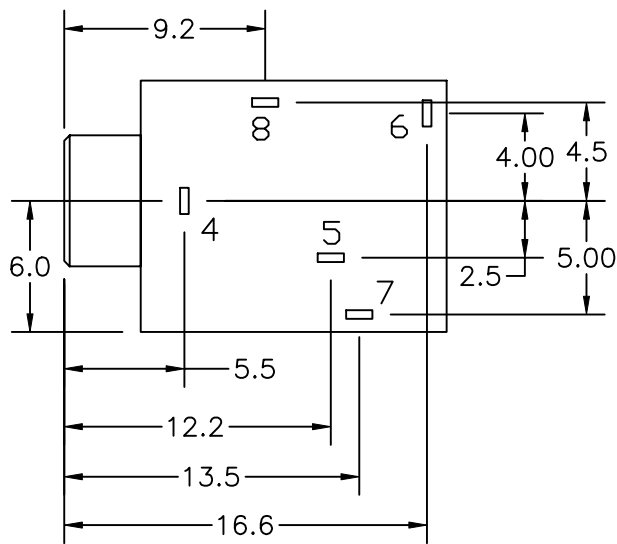
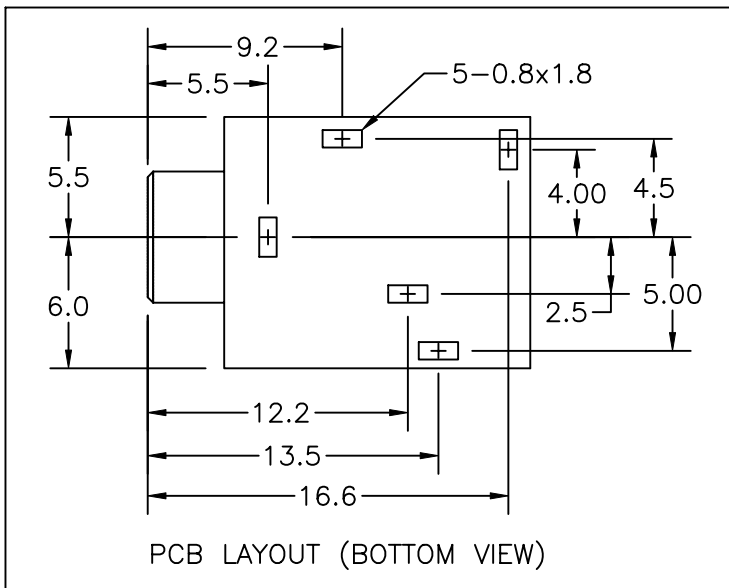
COMPONENT SPECIFICATION

USE OR REPRODUCTION OF THIS DRAWING FOR THE PURPOSE OF MANUFACTURING THIS ARTICLE OR ANY ARTICLES SHOWN FOR ANY PURPOSE IS STRICTLY PROHIBITED WITHOUT WRITTEN PERMISSION FROM SENIOR INDUSTRIES, INC.

A



B



C

NOTES: T = THREADED BUSHING ( M6XP0.5 )  
N = NON THREADED BUSHING

8	TIP SPRING	BRASS, 0.3MM THICK - TIN PLATED
7	RING SPRING	BRASS, 0.3MM THICK - TIN PLATED
6	TIP SHUNT	BRASS 0.3MM THICK - TIN PLATED
5	RING SHUNT	BRASS 0.3MM THICK - TIN PLATED
4	SLEEVE	BRASS 0.4MM THICK - TIN PLATED
3	BUSHING	BRASS - NICKEL PLATED
2	COVER	PC - TRANSPARENT
1	HOUSING	PBT G15 - BLACK, UL94V-0
ITEM	DESCRIPTION	MATERIAL/FINISH

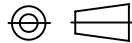
RoHS COMPLIANT

D

DESIGNED:			SYM.	DATE:	DESCRIPTION OF REVISIONS:	DRAWN	APPD.
DRAWN:	HV	01/31/97	△	02.05.97	NEW	JF	JF
CHECKED:	GAT	05/16/06	△	03.06.97	Corr contact/insulation resistance & max insert/withdr. to 2.0	JF	JF
APPROVED:	JF	05/16/06	△	03.27.97	Dim 3.50φ corr to 3.60φ.	TF	TF
			△	05.05.06	Repl Ag pl. w/ Tin pl; Part is RoHS compl; Gen spec updated.	GAT	JF

E

3RD ANGLE



UNIT:

mm

SCALE:

3:1

REV.

D



SENIOR INDUSTRIES, INC.

TOLERANCE:

TO 1 DECIMAL PLACE:	±.3
TO 2 DECIMAL PLACES:	±.13
AS ANGLES:	±1/2°

SHEET:

PART NO:

SI-536-XX

TITLE:

AUDIO JACK

1 OF 2

1

2

3

4

COMPONENT  
SPECIFICATIONUSE OR REPRODUCTION OF THIS DRAWING FOR THE PURPOSE OF MANUFACTURING THIS  
ARTICLE OR ANY ARTICLES SHOWN FOR ANY PURPOSE IS STRICTLY PROHIBITED WITHOUT  
WRITTEN PERMISSION FROM SENIOR INDUSTRIES, INC.SPECIFICATIONSELECTRICAL:

CONTACT RESISTANCE: 30 MILLIOHMS MAX.

INSULATION RESISTANCE: 100 MEGOHMS MIN. AT 500 VDC

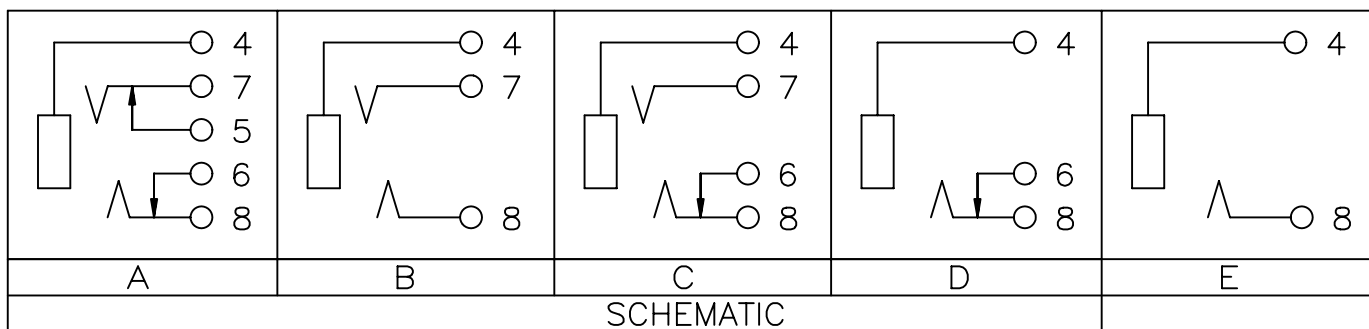
DIELECTRIC STRENGTH: 500 VAC FOR 60 SECONDS

MECHANICAL:

LIFE: 5000 CYCLES

INSERTION FORCE: 0.3 - 2.0 Kg

WITHDRAWAL FORCE: 0.3 - 2.0 Kg



RoHS COMPLIANT

DESIGNED:

SYM.

DATE:

DESCRIPTION OF REVISIONS:

DRAWN

APPD.

DRAWN:

HV

01/31/97

02.05.97

NEW

JF

JF

CHECKED:

GAT

05/16/06

03.06.97

Corr contact/insulation resistance &amp; max insert/withdr. to 2.0

JF

JF

APPROVED:

JF

05/16/06

03.27.97

Dim 3.50Ø corr to 3.60Ø.

TF

TF

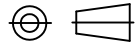
05.05.06

Repl Ag pl. w/ Tin pl; Part is RoHS compl; Gen spec updated.

GAT

JF

3RD ANGLE



UNIT:

mm

SCALE:

REV.

D

**SENIOR  
INDUSTRIES, INC.**

TOLERANCE:

TO 1 DECIMAL PLACE: ±

TO 2 DECIMAL PLACES: ±

AS ANGLES: ± °

SHEET:

PART NO:

SI-536-XX

TITLE:

AUDIO JACK

2 OF 2