

1

2

3

4

COMPONENT SPECIFICATION

USE OR REPRODUCTION OF THIS DRAWING FOR THE PURPOSE OF MANUFACTURING THIS ARTICLE OR ANY ARTICLES SHOWN FOR ANY PURPOSE IS STRICTLY PROHIBITED WITHOUT WRITTEN PERMISSION FROM SENIOR INDUSTRIES, INC.

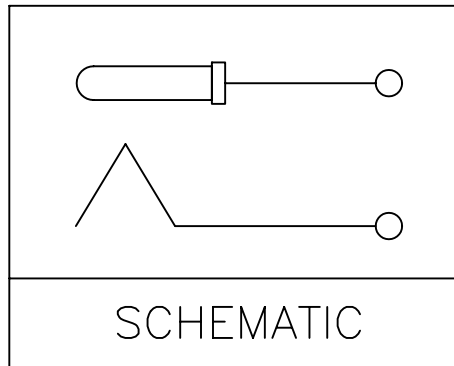
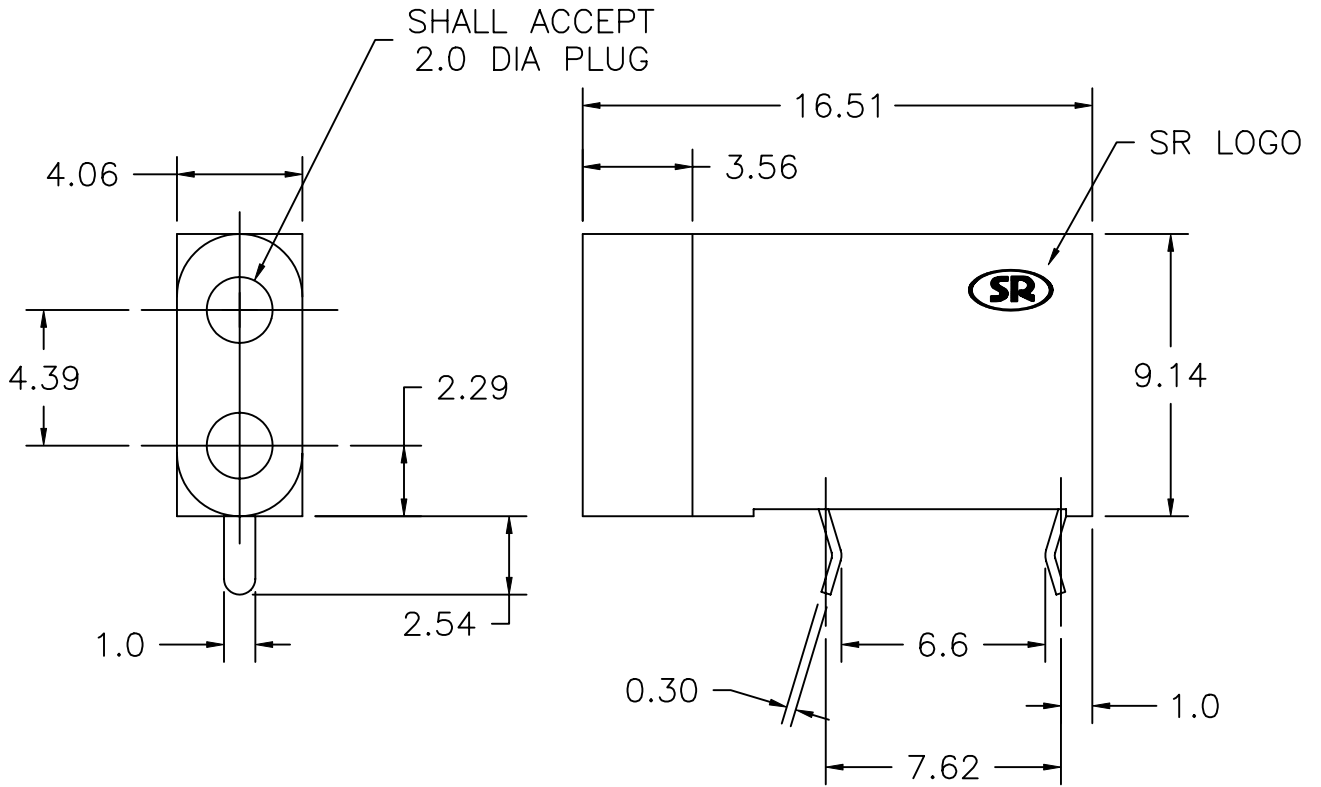
A

B

C

D

E



DESIGNED:			SYM.	DATE	DESCRIPTION OF REVISIONS	DRAWN	APPD.	
DRAWN:	GAT	06/02/06	▲	06.02.06	NEW	GAT	JF	
CHECKED:	GAT	06/05/06	▲	. .				
APPROVED:	JF	06/12/06	▲	. .				
			▲	. .				
3RD ANGLE			UNIT:		mm	SCALE:	REV.	A



TOLERANCE:		PART NO:	SI-526T-X-G
TO 2 DECIMAL PLACE:	±	TITLE:	TIP JACK
TO 3 DECIMAL PLACES:	±		
AS ANGLES:	±1/2'		
SHEET:		1 OF 2	

1

2

3

4

COMPONENT SPECIFICATION

USE OR REPRODUCTION OF THIS DRAWING FOR THE PURPOSE OF MANUFACTURING THIS ARTICLE OR ANY ARTICLES SHOWN FOR ANY PURPOSE IS STRICTLY PROHIBITED WITHOUT WRITTEN PERMISSION FROM SENIOR INDUSTRIES, INC.

SPECIFICATIONS

ELECTRICAL

CONTACT RATING: 6.3 AMPS  
CONTACT RESISTANCE: 30 MILLIOHMS MAX.  
INSULATION RESISTANCE: 10,000 MEGAOHMS MIN. AT 500 VDC

MECHANICAL

HOUSING: POLYCARBONATE, UL94V-0, BLACK  
TERMINAL: PHOSPHOR BRONZE  
PLATING: 5 MICRO INCHES GOLD OVER  
50 MICRO INCHES NICKEL  
WITHDRAWAL FORCE: 0.2 Kg MIN.

ENVIRONMENT:

OPERATING TEMPERATURE: -40°C TO +85°C

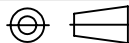
NOTE:

"X" IN PART NUMBER DENOTES HOUSING COLOR OPTIONS:

- 1 = BLUE
- 2 = RED
- 3 = BLACK (STD)
- 4 = BROWN
- 5 = GREEN
- 6 = WHITE
- 7 = GRAY
- 8 = ORANGE
- 9 = YELLOW
- 10 = VIOLET
- 11 = IVORY/NEUTRAL

DESIGNED:			SYM.	DATE	DESCRIPTION OF REVISIONS	DRAWN	APPD.
DRAWN:	GAT	06/02/06	△	06.02.06	NEW	GAT	JF
CHECKED:	GAT	06/05/06	△	.			
APPROVED:	JF	06/12/06	△	.			

3RD ANGLE



UNIT:

SCALE:

REV.

A



**SENIOR INDUSTRIES, INC.**

TOLERANCE:

TO 2 DECIMAL PLACE:	± .
TO 3 DECIMAL PLACES:	± .
AS ANGLES:	±

PART NO:

SI-526T-X-G

TITLE:

TIP JACK

SHEET:

2 OF 2