

1

2

3

4

COMPONENT SPECIFICATION

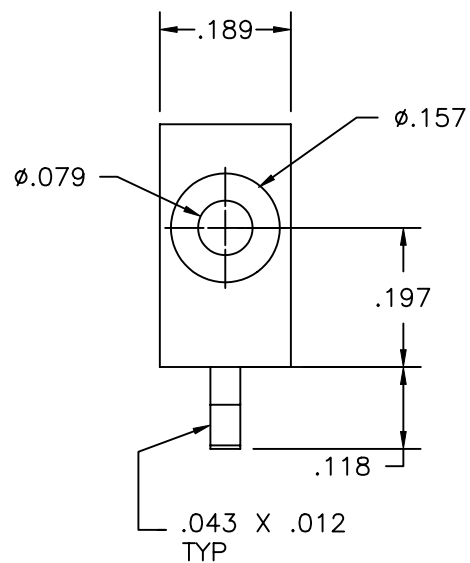
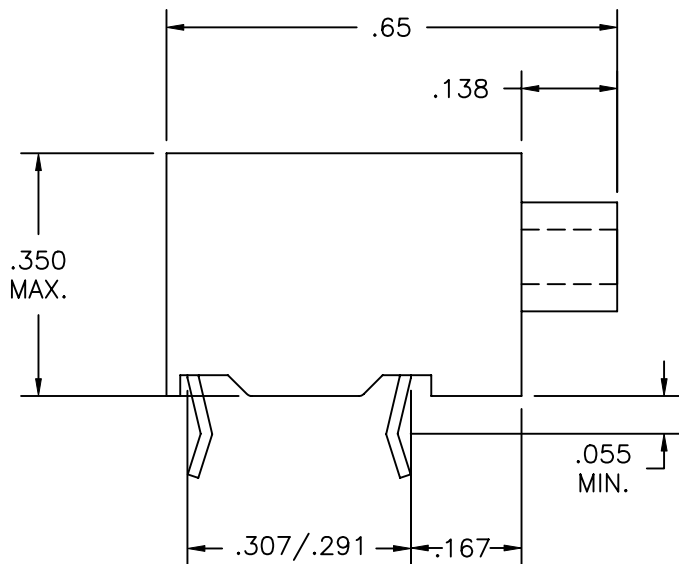
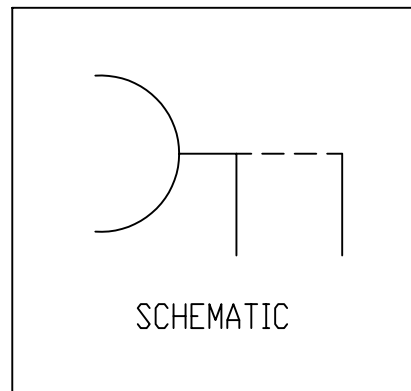
USE OR REPRODUCTION OF THIS DRAWING FOR THE PURPOSE OF MANUFACTURING THIS ARTICLE OR ANY ARTICLES SHOWN FOR ANY PURPOSE IS STRICTLY PROHIBITED WITHOUT WRITTEN PERMISSION FROM SENIOR INDUSTRIES, INC.

A

B

C

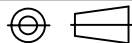
D



RoHS COMPLIANT

DESIGNED:			SYM.	DATE	DESCRIPTION OF REVISIONS	DRAWN	APPD.
DRAWN:	HV	05/31/01	▲	10.06.04	NEW	GAT	TF
CHECKED:	GAT	10/29/09	▲	04.01.05	Showed ID: $\phi 0.079$ of the Jack	GAT	JF
APPROVED:	JF	10/29/09	▲	01.30.06	'RoHS COMPLIANT' note and process temp of 260°C added.	GAT	JF
			▲	10.29.09	Chg'd gold plating from 30uIN to 10uIN	GAT	JF

3RD ANGLE



UNIT:

INCHES

SCALE:

4:1

REV.

D



SENIOR INDUSTRIES, INC.

TOLERANCE:

TO 2 DECIMAL PLACE:	$\pm .010$
TO 3 DECIMAL PLACES:	$\pm .005$
AS ANGLES:	$\pm 1/2^\circ$

PART NO:

SI-526S-X

TITLE:

TIP JACK

SHEET:

1 OF 2

E

1

2

3

4

COMPONENT
SPECIFICATIONUSE OR REPRODUCTION OF THIS DRAWING FOR THE PURPOSE OF MANUFACTURING THIS
ARTICLE OR ANY ARTICLES SHOWN FOR ANY PURPOSE IS STRICTLY PROHIBITED WITHOUT
WRITTEN PERMISSION FROM SENIOR INDUSTRIES, INC.SPECIFICATIONSELECTRICAL

CONTACT RATING: 6.3 AMPS
 CONTACT RESISTANCE: 30 MILLIOHMS MAX.
 INSULATION RESISTANCE: 10,000 MEGAOHMS MIN. AT 500 VDC

MECHANICAL

HOUSING: POLYCARBONATE, UL94V-0
 TERMINAL: PHOSPHOR BRONZE
 PLATING: 10 MICROINCHES GOLD OVER
 50 MICROINCHES NICKEL
 WITHDRAWAL FORCE: 0.2 Kg MIN.

ENVIRONMENT:

OPERATING TEMPERATURE: -25°C TO 70°C
 PART SHALL WITHSTAND WAVE SOLDER TEMPERATURE
 OF 260°C FOR 5 SECONDS.

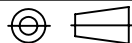
"X" DENOTES COLOR OF HOUSING:

- 1 = BLUE
- 2 = RED
- 3 = BLACK (STD)
- 4 = BROWN
- 5 = GREEN
- 6 = WHITE
- 7 = GRAY
- 8 = ORANGE
- 9 = YELLOW
- 10 = VIOLET
- 11 = IVORY/NEUTRAL

RoHS COMPLIANT

DESIGNED:			SYM.	DATE	DESCRIPTION OF REVISIONS	DRAWN	APPD.
DRAWN:	HV	05/31/01	△	10.06.04	NEW	GAT	TF
CHECKED:	GAT	10/29/09	△	04.01.05	Showed ID: ø0.079 of the Jack	GAT	JF
APPROVED:	JF	10/29/09	△	01.30.06	'RoHS COMPLIANT' note and process temp of 260°C added.	GAT	JF
			△	10.29.09	Chg'd gold plating from 30uIN to 10uIN	GAT	JF

3RD ANGLE



UNIT:

INCHES

SCALE:

REV.

D


**SENIOR
INDUSTRIES, INC.**

TOLERANCE:

PART NO:

SI-526S-X

TO 2 DECIMAL PLACE: ±

TITLE:

TO 3 DECIMAL PLACES: ±

TIP JACK

AS ANGLES: ±

SHEET:

2 OF 2