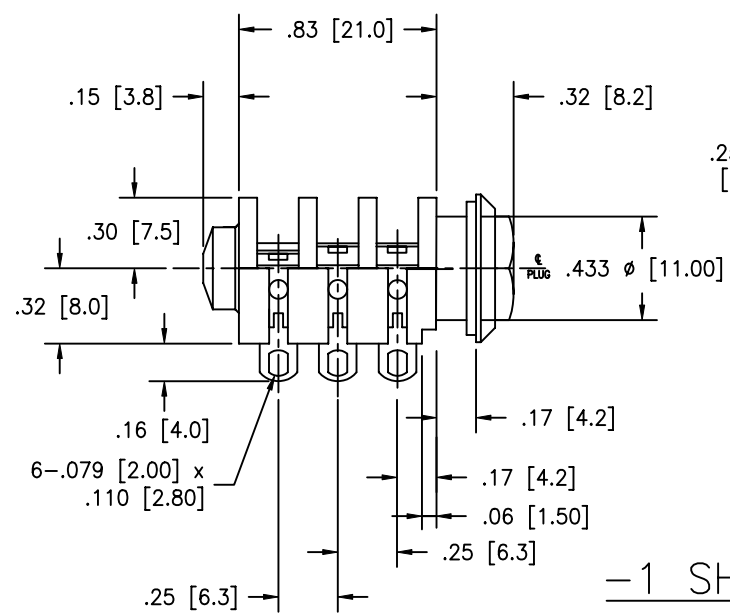


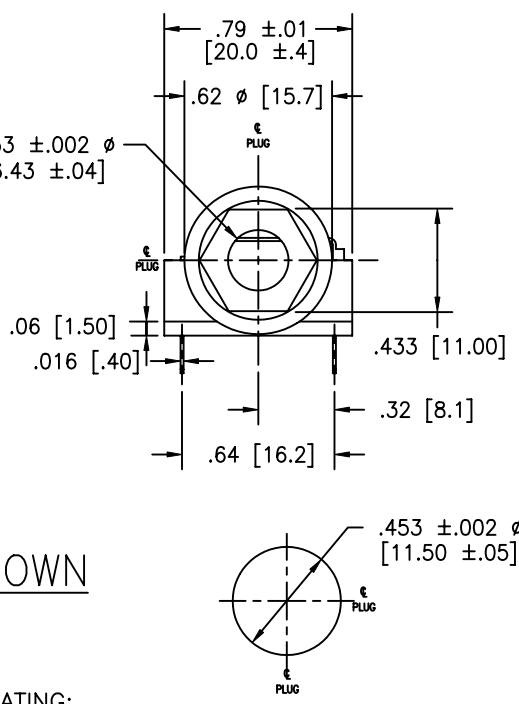
1 | 2 | 3 | 4 | 5

COMPONENT SPECIFICATION | USE OR REPRODUCTION OF THIS DRAWING FOR THE PURPOSE OF MANUFACTURING THIS ARTICLE OR ANY ARTICLES SHOWN FOR ANY PURPOSE IS STRICTLY PROHIBITED WITHOUT WRITTEN PERMISSION FROM SENIOR INDUSTRIES, INC.

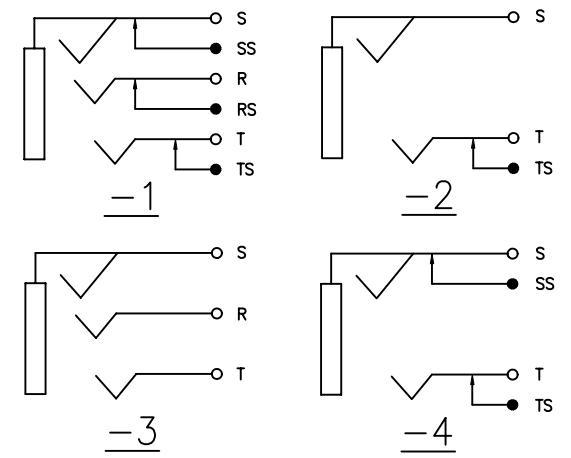
A



-1 SHOWN

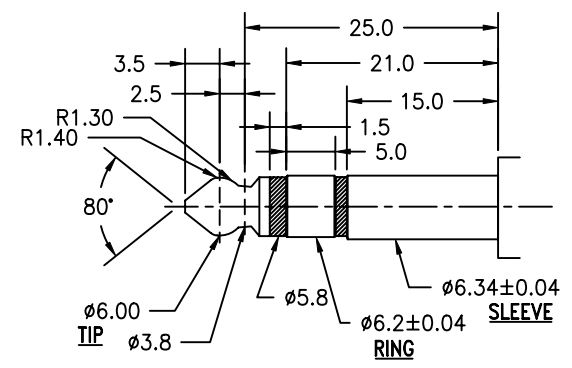


MOUNTING HOLE



SCHMATICS

PLUG



NOTES:

- 1st 'X' IN PART NUMBER DENOTES SCHEMATIC.
- 2nd 'X' IN PART NUMBER DENOTES CONTACT PLATING:
BLANK - SILVER
G - GOLD

PART	QTY	MATERIAL/FINISH
HOUSING	1	PA-66, BLACK, UL94V-2 RATED
TIP SPRING	3	P.B.S., SILVER OR GOLD PLATED
SHUNT SPRING	3	BRASS, SILVER OR GOLD PLATED
WASHER	1	PAPER SHEET, RED, .04 [1.0] THK
WASHER	1	PA-66, BLACK, UL94V-2 RATED, .102 [2.6] THK X .62 [15.7]
BUSHING	1	BRASS, NICKEL PLATED



DESIGNED:			SYM.	DATE:	DESCRIPTION OF REVISIONS:	DRAWN:	APPD:	TOLERANCE:	PART NO:	SI-511ST-X-X
DRAWN:	GAT	10/17/07	▲	10.17.07	NEW	GAT	JF			
CHECKED:	GAT	10/17/07	▲	.	.			TO 2 DECIMAL PLACES: ±.01[.3]	TITLE:	HEADPHONE JACK
APPROVED:	JF	10/17/07	▲	.	.			TO 3 DECIMAL PLACES: ±.006[.15]	SHEET:	1 OF 1
3RD ANGLE	⊕	UNIT:	mm	SCALE:	2:1	REV.	A	AS ANGLES:	±1/2°	