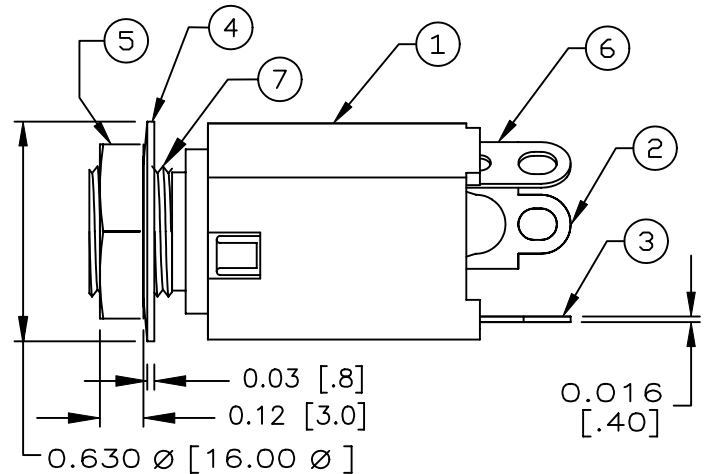
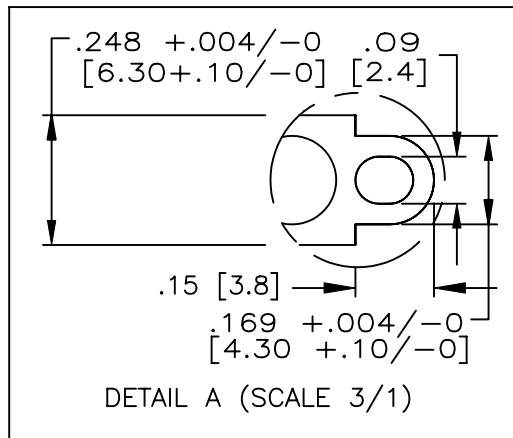
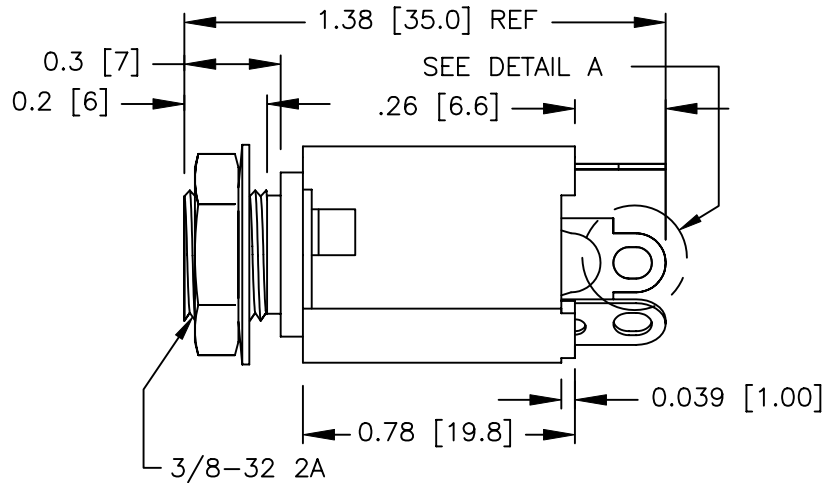
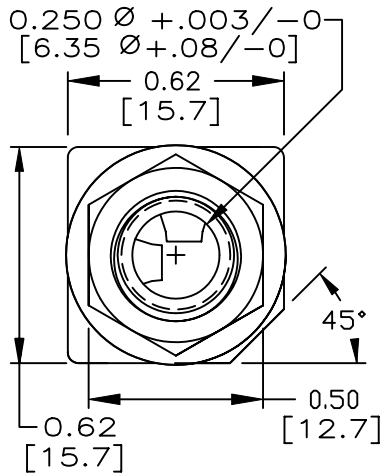


1

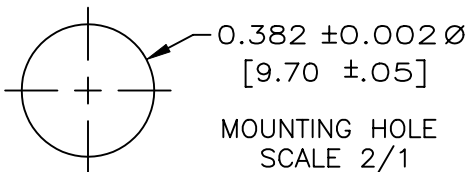
2

3

4

COMPONENT
SPECIFICATIONUSE OR REPRODUCTION OF THIS DRAWING FOR THE PURPOSE OF MANUFACTURING THIS
ARTICLE OR ANY ARTICLES SHOWN FOR ANY PURPOSE IS STRICTLY PROHIBITED WITHOUT
WRITTEN PERMISSION FROM SENIOR INDUSTRIES, INC.

SI-507-3 SHOWN



7	BUSHING	BRASS, NICKEL PLATED
6	SLEEVE TERMINAL	BRASS - TIN PLATED
5	HEX NUT	BRASS - NICKEL PLATED
4	WASHER	BRASS - NICKEL PLATED
3	TIP SPRING	BRONZE - TIN PLATED
2	RING SPRING	BRONZE - TIN PLATED
1	HOUSING	ABS, UL94V-0
ITEM	DESCRIPTION	MATERIAL/FINISH

DESIGNED:

SYM.

DATE:

DESCRIPTION OF REVISIONS:

DRAWN

APPD.

DRAWN:

HV

11/17/97

▲

05.25.94

Added note tying dwg to spec; removed auth. column

JF

JF

CHECKED:

GAT

10/12/05

▲

05.05.95

Corr several dims to match parts; corr tol.

JF

JF

APPROVED:

JF

10/12/05

▲

11.17.97

Redrawn to new print layout; -X added = Schematic

TF

JF

APPROVED:

JF

10/12/05

▲

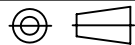
10.07.05

New Indicator, T1 showed for No6 Schematic choice . X Note

GAT

JF

3RD ANGLE



UNIT:

IN[mm]

SCALE:

2:1

REV.

E

SENIOR
INDUSTRIES, INC.

TOLERANCE:

TO 1 DECIMAL PLACE: \pm .015 [.40]TO 2 DECIMAL PLACES: \pm .010 [.30]TO 3 DECIMAL PLACES: \pm .006 [.15]

SHEET:

PART NO:

SI-507-X

TITLE:

ENCLOSED PHONE JACK

1 OF 2

