

1

2

3

4

COMPONENT SPECIFICATION

USE OR REPRODUCTION OF THIS DRAWING FOR THE PURPOSE OF MANUFACTURING THIS ARTICLE OR ANY ARTICLES SHOWN FOR ANY PURPOSE IS STRICTLY PROHIBITED WITHOUT WRITTEN PERMISSION FROM SENIOR INDUSTRIES, INC.

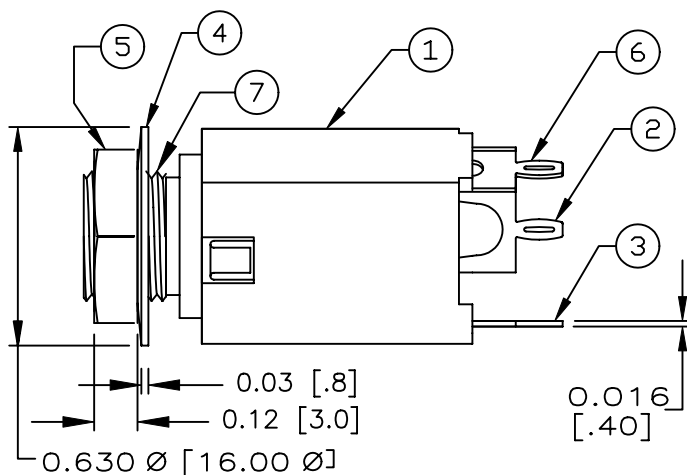
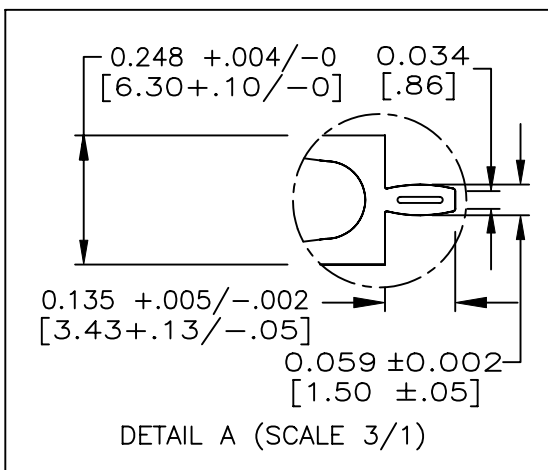
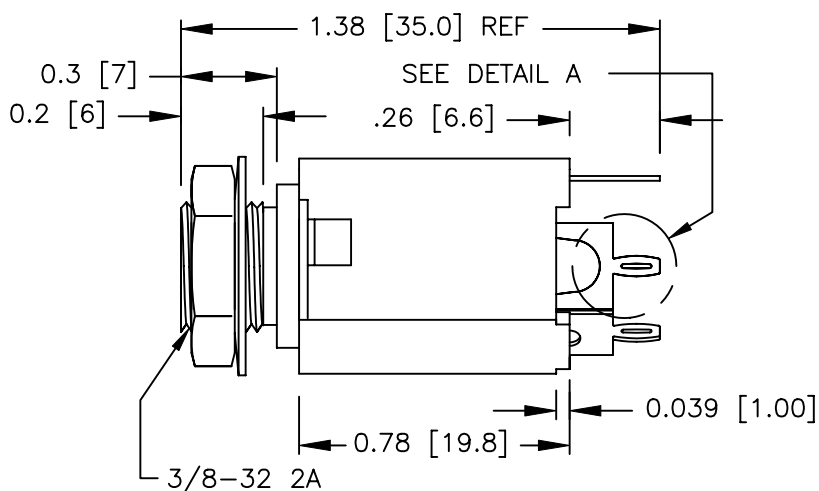
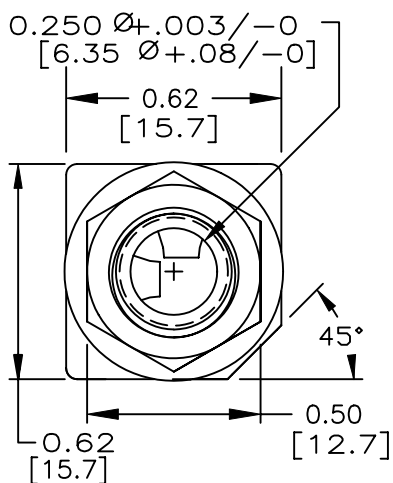
A

B

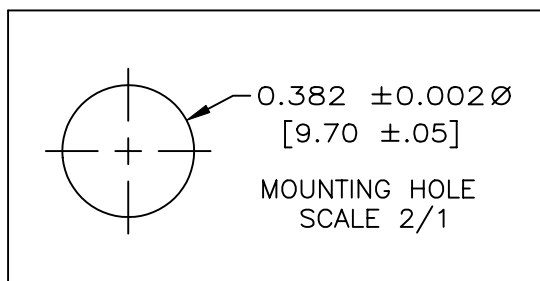
C

D

E



SI-507PR-3 SHOWN



7	BUSHING	BRASS, NICKEL PLATED
6	SLEEVE TERMINAL	BRASS - TIN PLATED
5	HEX NUT	BRASS - NICKEL PLATED
4	WASHER	BRASS - NICKEL PLATED
3	TIP SPRING	BRONZE - TIN PLATED
2	RING SPRING	BRONZE - TIN PLATED
1	HOUSING	ABS, UL94V-0
ITEM	DESCRIPTION	MATERIAL/FINISH

DESIGNED:			SYM.	DATE:	DESCRIPTION OF REVISIONS:	DRAWN	APPD.
DRAWN:	HV	11/17/97	▲	11.17.97	Drawn to new print format; was created as new w/PC ret leads	TF	JF
CHECKED:	GAT	10/12/05	▲	10.07.05	New Indicator, T1 showed for No6 Schematic choice . X Note	GAT	JF
APPROVED:	JF	10/12/05	▲				

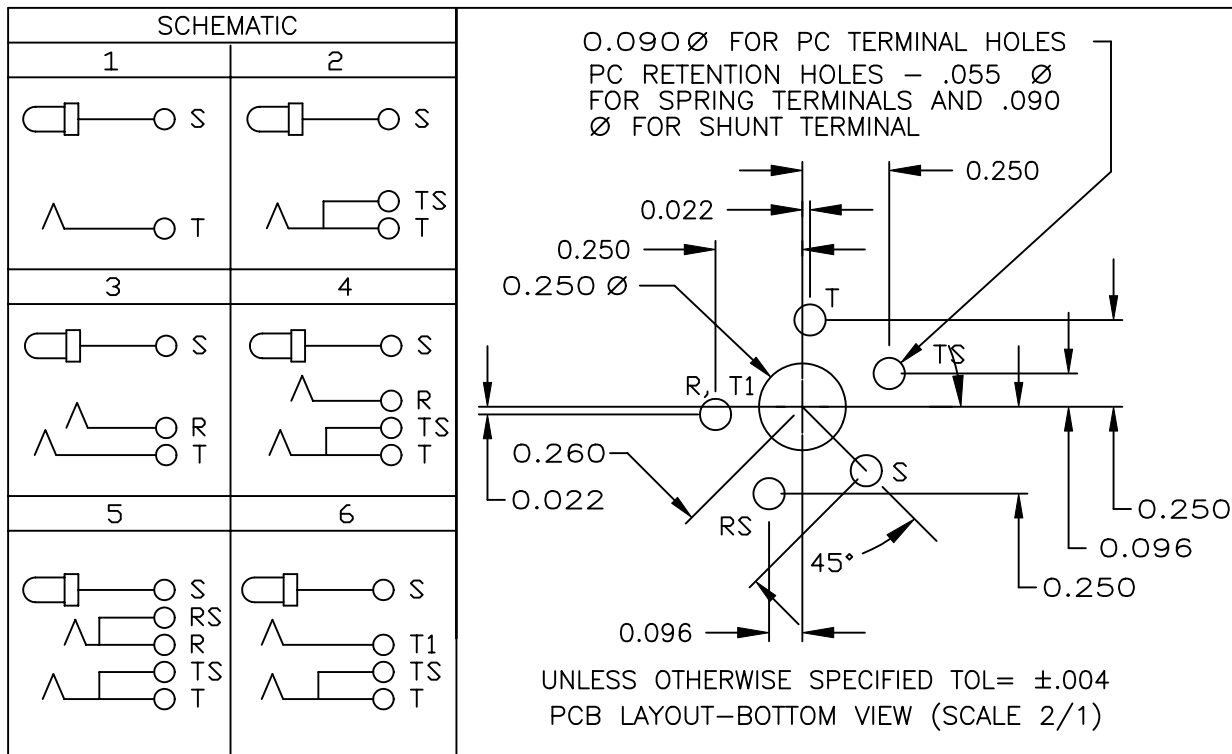
3RD ANGLE		UNIT:	IN[mm]	SCALE:	2:1	REV.	E
-----------	--	-------	--------	--------	-----	------	---



TOLERANCE:	PART NO:
TO 1 DECIMAL PLACE: ±.015 [.40]	SI-507PR-X
TO 2 DECIMAL PLACES: ±.010 [.30]	TITLE:
TO 3 DECIMAL PLACES: ±.006 [.15]	ENCLOSED PHONE JACK
SHEET:	1 OF 2

COMPONENT SPECIFICATION

USE OR REPRODUCTION OF THIS DRAWING FOR THE PURPOSE OF MANUFACTURING THIS ARTICLE OR ANY ARTICLES SHOWN FOR ANY PURPOSE IS STRICTLY PROHIBITED WITHOUT WRITTEN PERMISSION FROM SENIOR INDUSTRIES, INC.



SPECIFICATIONS:

ELECTRICAL:

CONTACT RATING:	0.25A AT 48 VDC
CONTACT RESISTANCE:	20 MILLIOHMS MAX. INITIAL, 50 MILLIOHMS MAX. AFTER LIFE
INSULATION RESISTANCE:	50,000 MEGOHMS MIN. AT 500 VDC
DIELECTRIC STRENGTH:	500 VAC FOR ONE MINUTE

MECHANICAL:

INSERTION FORCE:	0.5 TO 3.0 Kg
WITHDRAWAL FORCE:	0.5 TO 3.0 Kg
OPERATING LIFE:	10,000 CYCLES

ENVIRONMENTAL:

OPERATING TEMPERATURE: -40°C TO 80°C

NOTE: 'X' IN PART NUMBER DENOTES SCHEMATIC: SEE TABLE ABOVE

DESIGNED:	DRAWN:	CHECKED:	APPROVED:	SYM.	DATE:	DESCRIPTION OF REVISIONS:	DRAWN	APPD.
	HV	GAT	JF	△	11.17.97	Drawn to new print format; was created as new w/PC ret leads	TF	JF
				△	10.07.05	New Indicator, T1 showed for No6 Schematic choice . X Note	GAT	JF
				△				
				△				

SR	SENIOR INDUSTRIES, INC.	UNIT:	IN[mm]	SCALE:	REV.	E										
<table border="1" style="width: 100%; border-collapse: collapse;"> <tr> <th style="width: 50%;">TOLERANCE:</th> <th style="width: 50%;">PART NO:</th> </tr> <tr> <td>TO 1 DECIMAL PLACE: ±</td> <td>SI-507PR-X</td> </tr> <tr> <td>TO 2 DECIMAL PLACES: ±</td> <td>TITLE:</td> </tr> <tr> <td>TO 3 DECIMAL PLACES: ±</td> <td>ENCLOSED PHONE JACK</td> </tr> <tr> <td>SHEET:</td> <td>2 OF 2</td> </tr> </table>				TOLERANCE:	PART NO:	TO 1 DECIMAL PLACE: ±	SI-507PR-X	TO 2 DECIMAL PLACES: ±	TITLE:	TO 3 DECIMAL PLACES: ±	ENCLOSED PHONE JACK	SHEET:	2 OF 2			
TOLERANCE:	PART NO:															
TO 1 DECIMAL PLACE: ±	SI-507PR-X															
TO 2 DECIMAL PLACES: ±	TITLE:															
TO 3 DECIMAL PLACES: ±	ENCLOSED PHONE JACK															
SHEET:	2 OF 2															