

UNLESS OTHERWISE SPECIFIED, ALL DIMENSIONS ARE IN INCHES WITH METRIC IN BRACKETS.

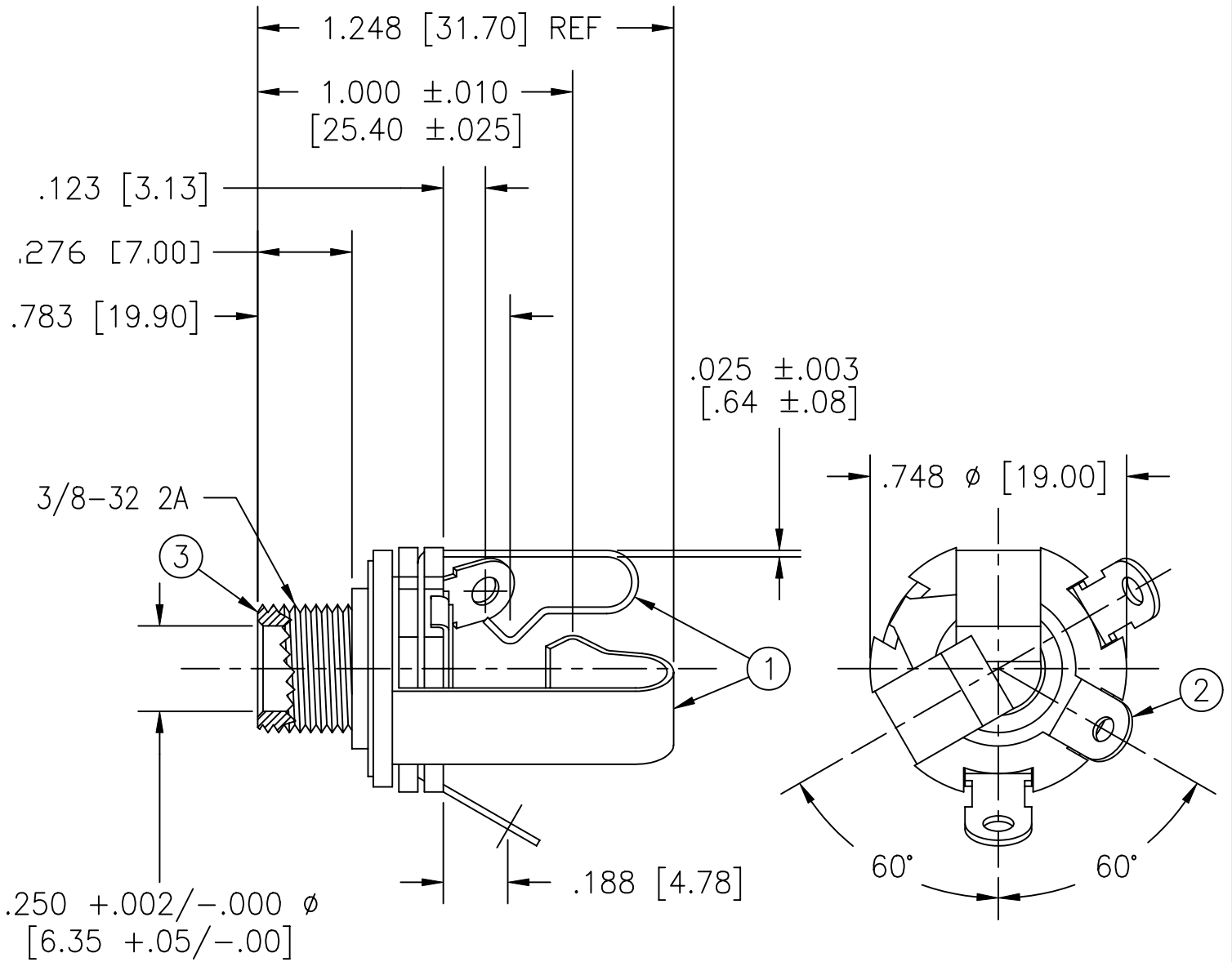
TO 2 DEC. PLS. ±
 TO 3 DEC. PLS. ±.015 [.38]
 AS ANGLES ±

ISSUE

DATE

A

08/29/97



NOTE:

1. PHONE JACK SHALL MEET THE REQUIREMENTS OF SPECIFICATION SR1110.

ITEM	DESCRIPTION	QTY	MATERIAL/FINISH
1	SPRINGS	2	BRONZE, TIN PLATED
2	TERMINAL	1	BRASS, TIN PLATED
3	MOUNTING BUSHING	1	BRASS, NICKEL PLATED



TITLE: 3 COND PHONE JACK

PART NO: SI-504NH

DATE: 08/29/97

DRAWN: GAM

CHKD: JF

SCALE: 2/1

SHEET: 1 OF 1