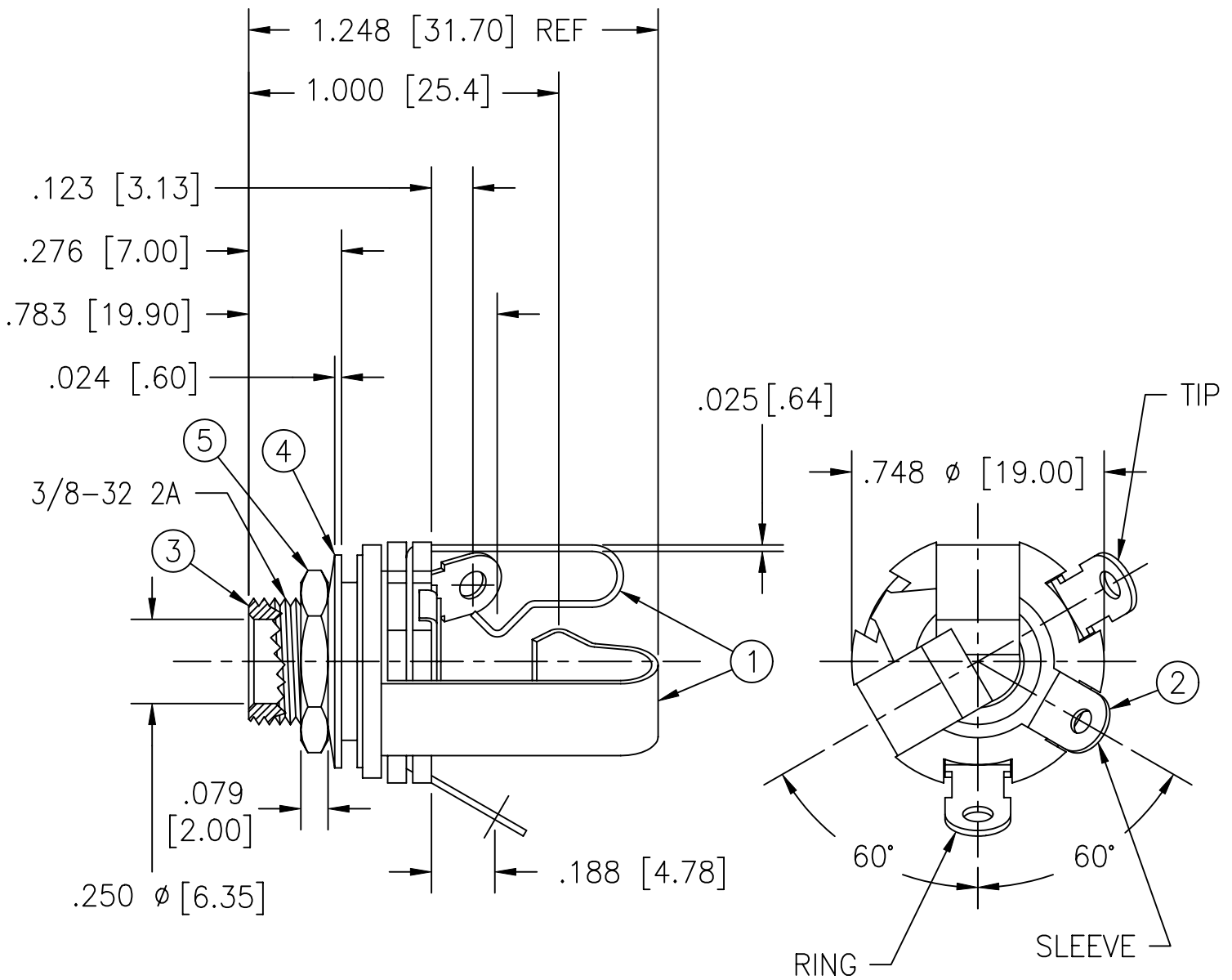


USE OR REPRODUCTION OF THIS DRAWING FOR THE PURPOSE OF MANUFACTURING THIS ARTICLE OR ANY ARTICLES SHOWN FOR ANY PURPOSE IS STRICTLY PROHIBITED WITHOUT WRITTEN PERMISSION FROM SENIOR INDUSTRIES, INC.

CUSTOMER SPECIFICATION DRAWING



ITEM	DESCRIPTION	QTY	MATERIAL/FINISH
1	SPRINGS	2	BRONZE, TIN PLATED
2	TERMINAL	1	BRASS, TIN PLATED
3	MOUNTING BUSHING	1	BRASS, NICKEL PLATED
4	WASHER	1	STEEL, NICKEL PLATED
5	HEX NUT 3/8-32	1	BRASS, NICKEL PLATED