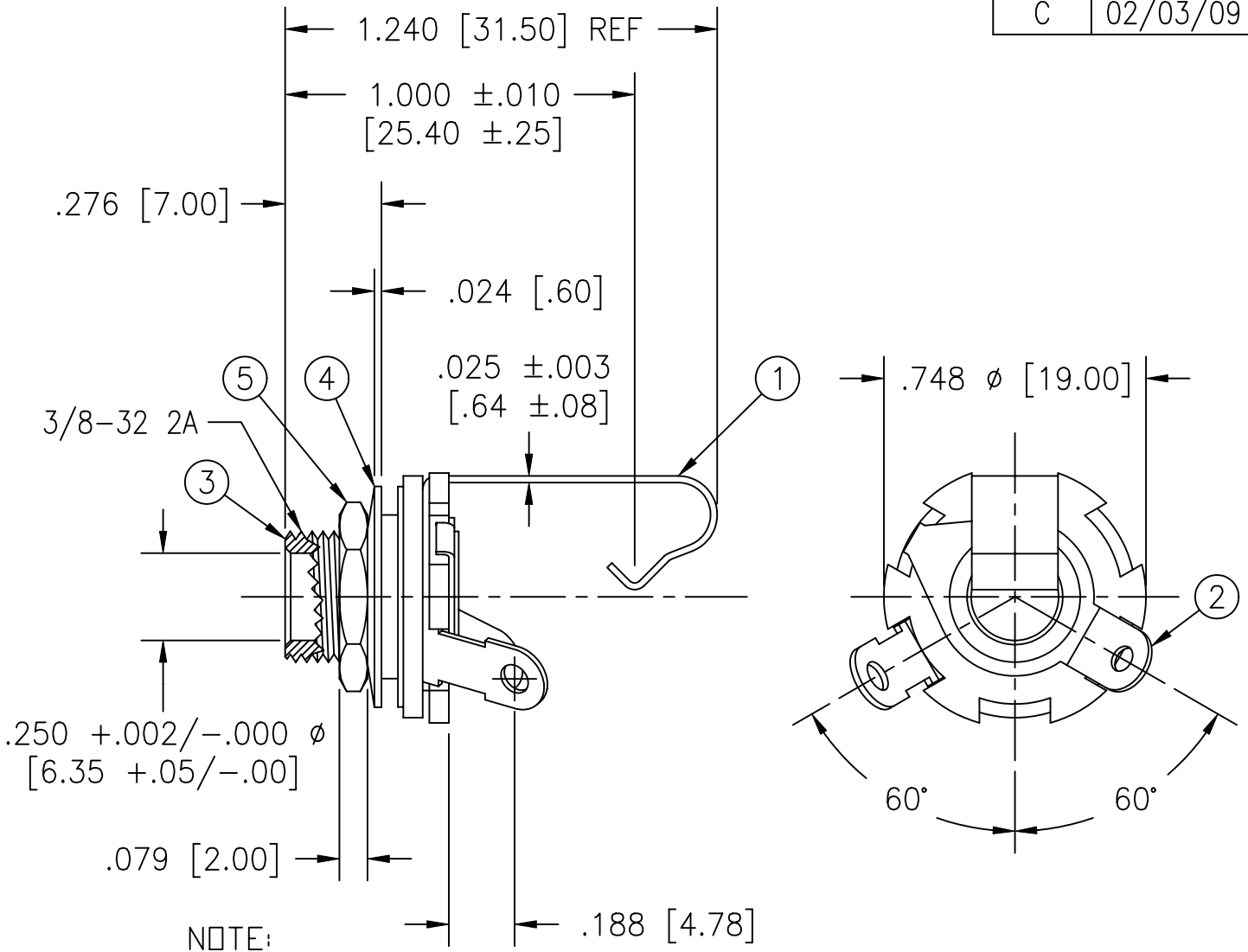


UNLESS OTHERWISE SPECIFIED, ALL DIMENSIONS ARE IN INCHES WITH METRIC IN BRACKETS.

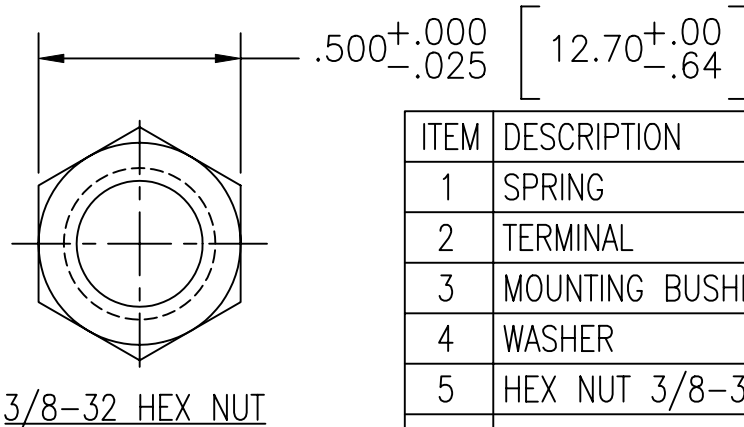
TO 2 DEC. PLS. ±  
 TO 3 DEC. PLS. ±.015 [.38]  
 AS ANGLES ±

ISSUE	DATE
A	04/02/93
B	06/01/94
C	02/03/09



NOTE:

- PHONE JACK SHALL MEET THE REQUIREMENTS OF SPECIFICATION SR1110.



ITEM	DESCRIPTION	QTY	MATERIAL/FINISH
1	SPRING	1	BRONZE, TIN PLATED
2	TERMINAL	1	BRASS, TIN PLATED
3	MOUNTING BUSHING	1	BRASS, NICKEL PLATED
4	WASHER	1	STEEL, NICKEL PLATED
5	HEX NUT 3/8-32	1	BRASS, NICKEL PLATED



TITLE: 2 COND PHONE JACK

PART NO: SI-503

DATE: 03/20/93

DRAWN: GAM

CHKD:

SCALE: 2/1

SHEET: 1 OF 1