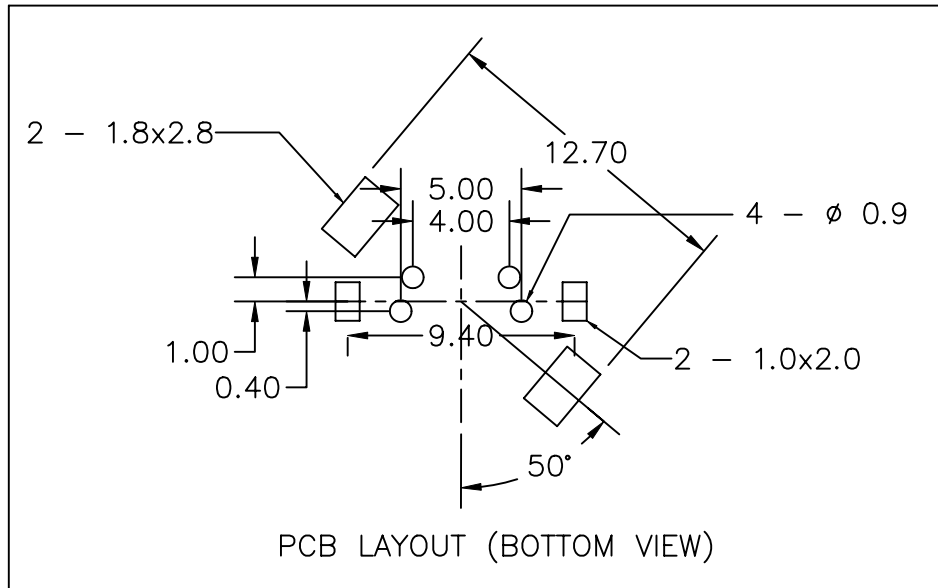
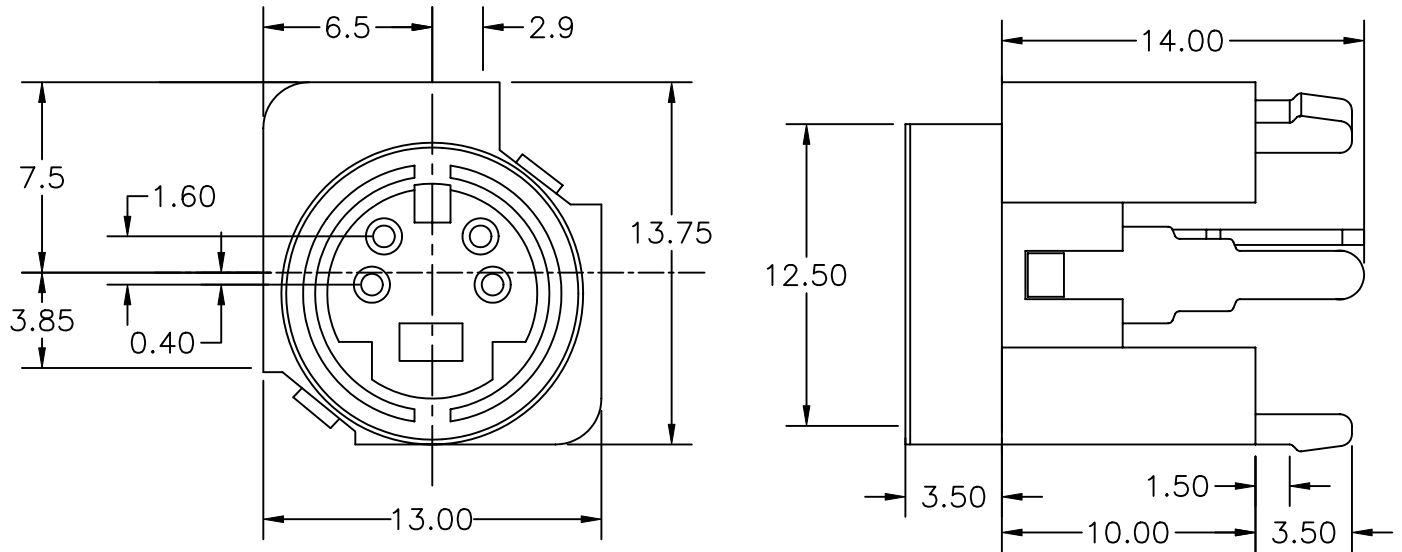


UNLESS OTHERWISE SPECIFIED, ALL DIMENSIONS ARE IN METRIC.

TO 1 DECIMAL PLACE ±.3
 TO 2 DECIMAL PLACES ±.13
 AS ANGLES ±1/2°

ISSUE	DATE
A	07/21/00
B	10/22/04



5	SHIELD	BRASS - NICKEL PLATED
4	CONTACT	PHOSPHOR BRONZE - SILVER PLATED
3	GROUND	BRASS - TIN PLATED
2	COVER	PBT - UL94V-0 - BLACK
1	HOUSING	PBT - UL94V-0 - BLACK
ITEM	DESCRIPTION	MATERIAL/FINISH

UNLESS OTHERWISE SPECIFIED, ALL DIMENSIONS ARE IN METRIC.

TO 1 DECIMAL PLACE $\pm .3$
TO 2 DECIMAL PLACES $\pm .13$
AS ANGLES $\pm 1/2^\circ$

ISSUE	DATE
A	07/21/00
B	10/22/04

SPECIFICATIONS

ELECTRICAL

CONTACT RATING: 1A @ 100VAC, 2A @ 12VDC
CONTACT RESISTANCE: 30 MILLIOHMS MAX.
INSULATION RESISTANCE: 50 MEGOHMS MIN. AT 250 VDC
DIELECTRIC STRENGTH: 250VAC FOR 1 MINUTE

MECHANICAL

INSERTION FORCE: 1.0 – 4.5 Kg
WITHDRAWAL FORCE: 0.8 – 3.0 Kg
LIFE: 5000 CYCLES MIN.



**SENIOR
INDUSTRIES, INC.**

TITLE:

DIN RECEPTACLE

PART NO:

SI-359

DATE:

07/21/00

DRAWN:

RB

CHKD:

SCALE:

N/A

SHEET:

2 OF 2