

UNLESS OTHERWISE SPECIFIED, ALL DIMENSIONS ARE IN METRIC.

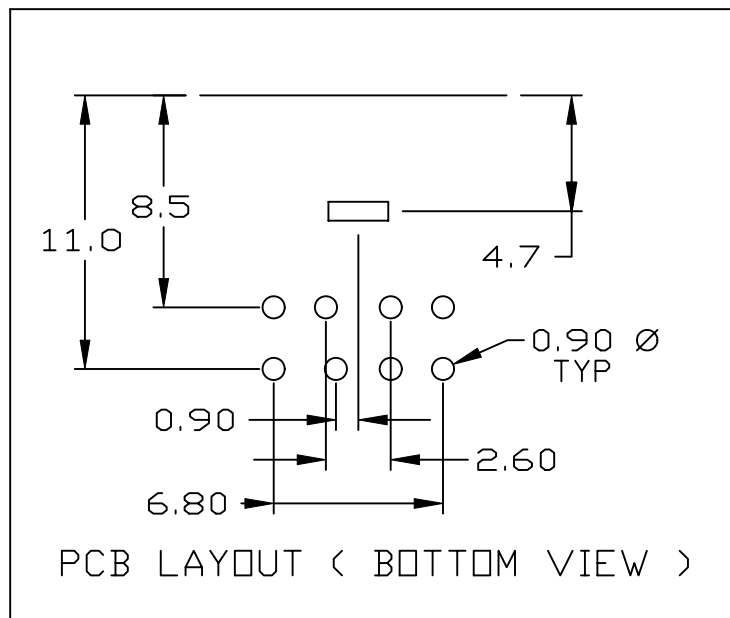
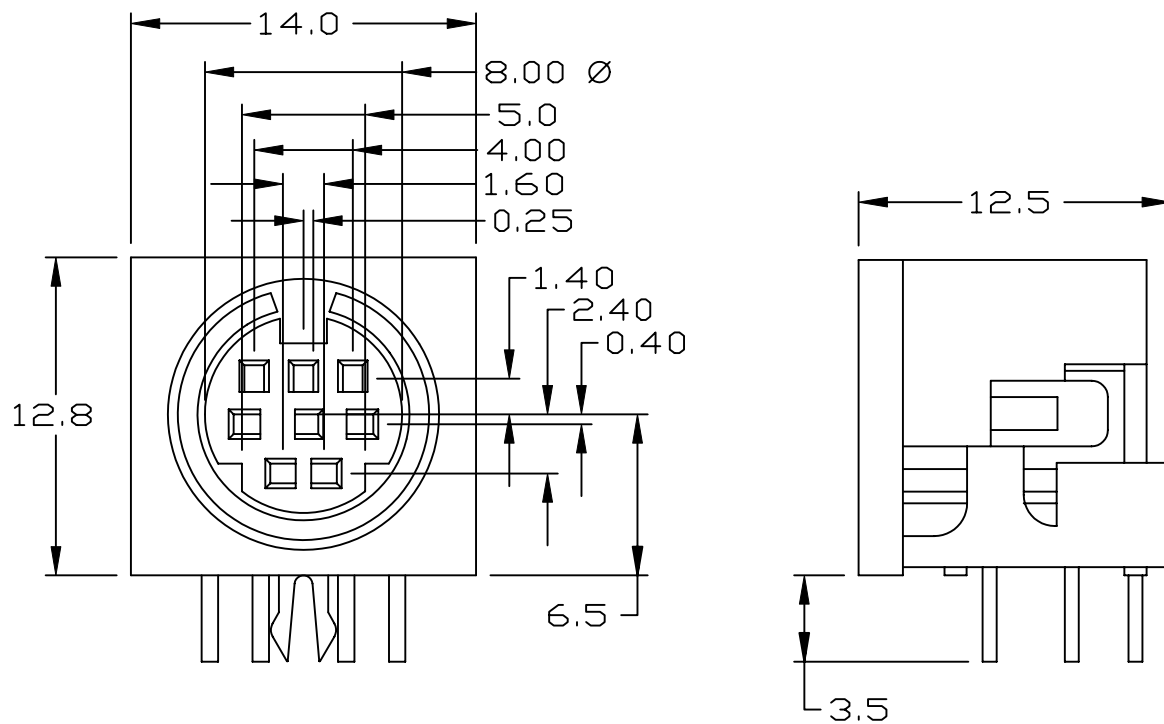
TO 1 DECIMAL PLACE ±.3
 TO 2 DECIMAL PLACES ±.13
 AS ANGLES ±1/2°

ISSUE

DATE

A

04/02/97



NOTE: 'X' DENOTES NUMBER OF CONTACTS

4	CONTACT	PHOSPHOR BRONZE 0.2MM THICK - SILVER PLATED
3	GROUND	BRASS 0.4MM THICK - TIN/LEAD PLATED
2	COVER	PBT - 30% GLASS, UL94V-0, BLACK
1	HOUSING	PBT - 30% GLASS, UL94V-0, BLACK
ITEM	DESCRIPTION	MATERIAL/FINISH



TITLE: DIN RECEPTACLE		PART NO: SI-354-X	
DATE: 03/28/97	DRAWN: HV	CHKD:	SCALE: 3/1
		SHEET: 1 OF 2	

UNLESS OTHERWISE SPECIFIED, ALL DIMENSIONS ARE IN METRIC.

TO 1 DECIMAL PLACE ±
TO 2 DECIMAL PLACES ±
AS ANGLES ±

ISSUE

DATE

A

04/02/97

SPECIFICATIONS

ELECTRICAL

CONTACT RATING: 1A @ 100VAC, 2A @ 12VDC
CONTACT RESISTANCE: 30 MILLIOHMS MAX.
INSULATION RESISTANCE: 50 MEGOHMS MIN. AT 250VDC
DIELECTRIC STRENGTH: 250VAC FOR 60 SECONDS

MECHANICAL

INSERTION FORCE: 1.0 - 4.5 Kg
WITHDRAWAL FORCE: 0.8 - 3.0 Kg
LIFE: 5000 CYCLES



TITLE:

DIN RECEPTACLE

PART NO:

SI-354-X

DATE:

03/28/97

DRAWN:

HV

CHKD:

SCALE:

SHEET:

2 OF 2