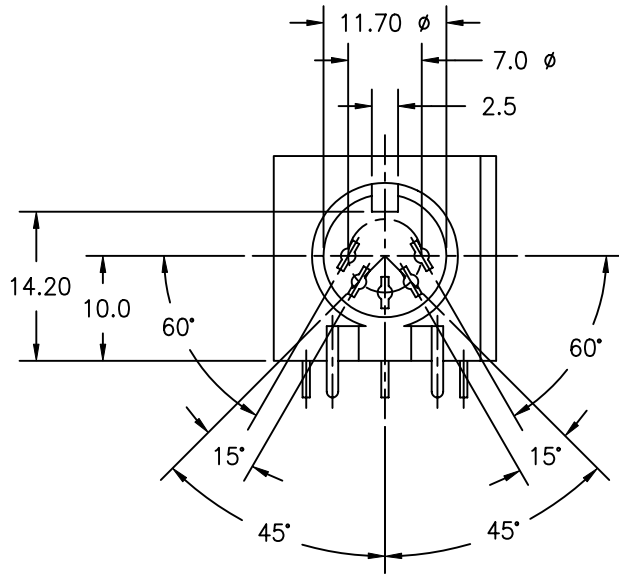


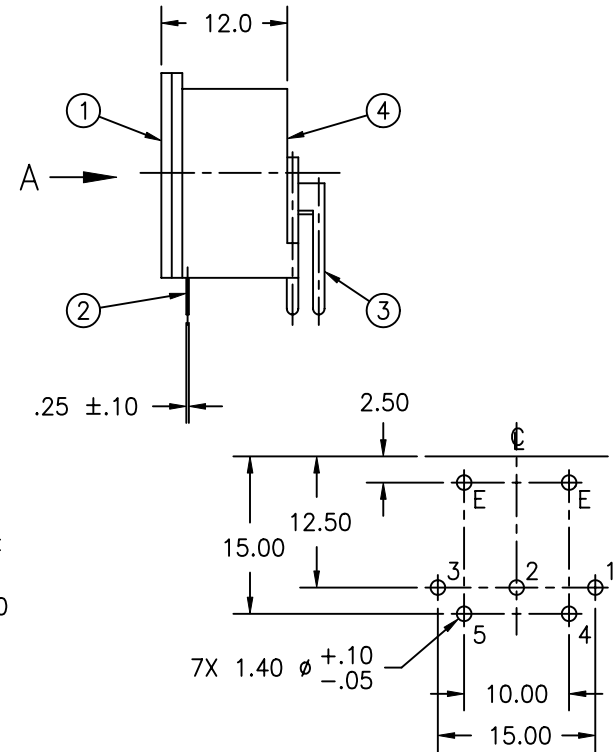
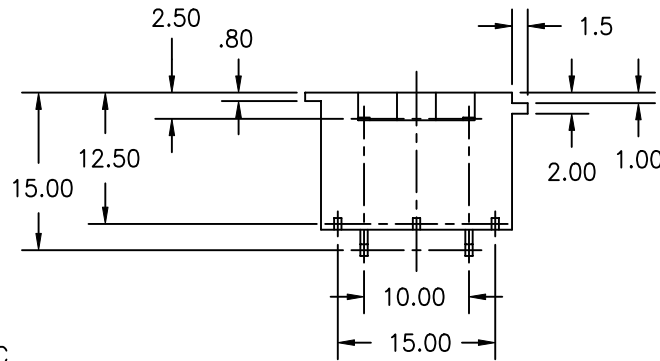
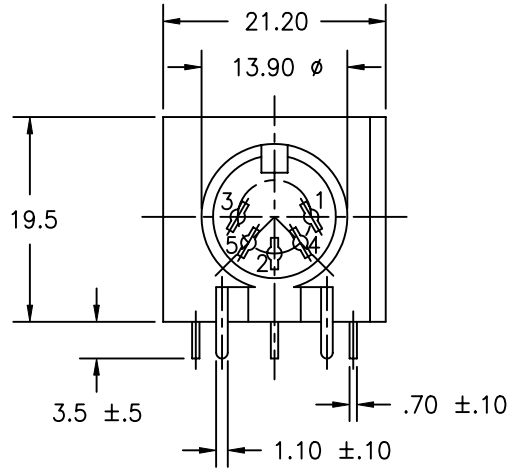
UNLESS OTHERWISE SPECIFIED, ALL DIMENSIONS ARE IN METRIC.

TO 1 DEC. PL. ±0.3
 TO 2 DEC. PLS. ±0.20
 AS ANGLES ±

ISSUE	DATE
A	04/22/94
B	03/27/98



DETAIL A



PC BOARD LAYOUT

CONTACT RATING: 1A @ 100 VAC, 2A @ 12 VDC
 CONTACT RESISTANCE: 30 MILLIOHMS MAXIMUM
 INSULATION RESISTANCE: 50 MEGOHMS MINIMUM AT 250 VDC
 DIELECTRIC STRENGTH: 250 VAC FOR 60 SECONDS

INSERTION FORCE: 1.0 - 4.5 KG
 WITHDRAWAL FORCE: 0.8 - 3.0 KG

OPERATING LIFE: 5,000 CYCLES MIN.

ITEM	DESCRIPTION	QTY	MATERIAL/FINISH
1	HOUSING	1	VALOX 420-SEO, BLACK
2	SPRING	2	PHOSPHOR BRONZE, NICKEL PLATED
3	CONTACT TERMINALS	5	BRASS, SILVER PLATED
4	COVER	1	BAKELITE, 1.3t

SR SENIOR INDUSTRIES, INC.

TITLE: 5 PIN DIN RECEPTACLE		PART NO: SI-351	
DATE: 04/19/94	DRAWN: GAM	CHKD:	SCALE: 2/1 SHEET: 1 OF 1