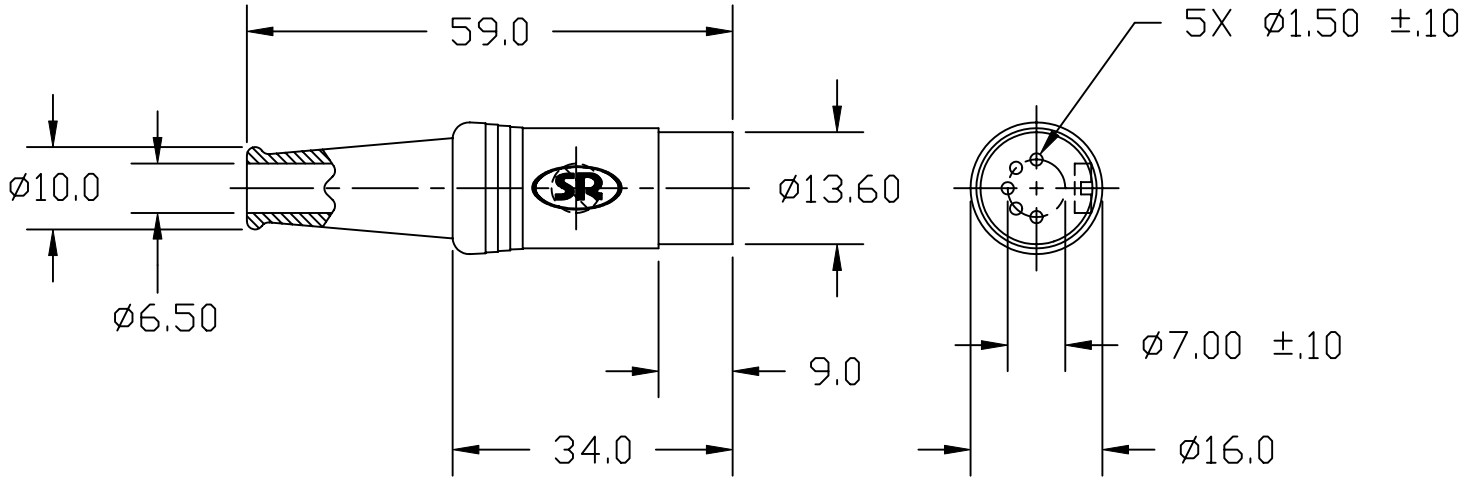


UNLESS OTHERWISE SPECIFIED, ALL DIMENSIONS ARE IN METRIC. TO 1 DEC. PL. ± 0.4
 TO 2 DEC. PLS. ± 0.20
 AS ANGLES ±

ISSUE	DATE
A	04/04/94
B	06/01/94
C	10/18/94
D	08/03/99



NOTE:

- CONNECTOR SHALL MEET THE REQUIREMENTS OF SPECIFICATION SR1119A.

ITEM	PART	MATERIAL/FINISH
1	HOUSING	ZINC DIE CAST; NICKEL
2	INSERT INSULATOR	PPO-1 UL94V-0; GRAY
3	PIN	BRASS; TIN PLATED
4	DUST BOOT	PVP



TITLE: 5 PIN DIN CONNECTOR		PART NO: SI-350	
DATE: 03/29/94	DRAWN: GAM	CHKD:	SCALE: 1/1
		SHEET: 1 OF 1	