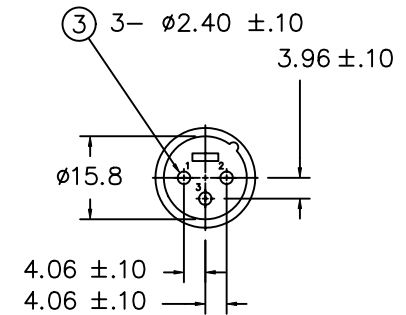
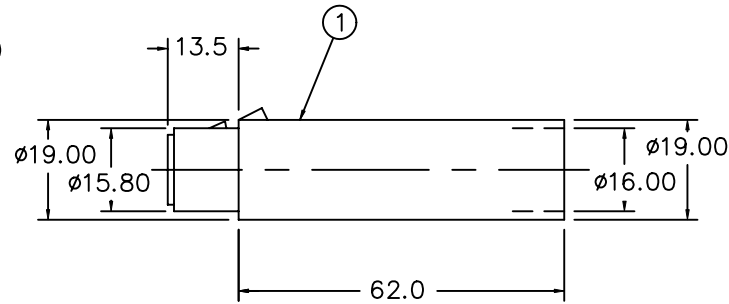
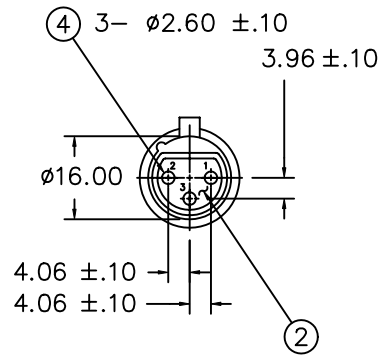


UNLESS OTHERWISE SPECIFIED, ALL DIMENSIONS ARE IN METRIC.  
DIMENSIONS OTHER THAN SIZE OF RAW MATERIAL SHALL BE  
HELD AS FOLLOWS WHEN EXPRESSED.

TO 1 DECIMAL PLACE ±0.4  
TO 2 DECIMAL PLACES ±0.20  
AS ANGLES ±

ISSUE	DATE	AUTH.
A	10/30/93	A1079



SI-310-3-X-X SHOWN

WIRING SCHEMATIC
SOCKET 1 - PIN 1
SOCKET 2 - PIN 2
SOCKET 3 - PIN 3

DRAWING NUMBER	NUMBER OF SOCKETS/PINS
-3-X-X	3
-4-X-X	4
-5-X-X	5
-7-X-X	7

ITEM	PART	MATERIAL/FINISH
1	HOUSING	ZINC DIE CAST; NICKEL, BLACK NICKEL, OR GOLD PLATED
2	INSERT INSULATOR	PPO-1 UL94V-0 RATED; GRAY
3	PIN	BRASS; SILVER OR GOLD PLATED
4	SOCKET	PHOSPHOR BRONZE; SILVER OR GOLD PLATED



TITLE: XLR ADAPTER		PART NO: SI-310-X-X-X	
DATE: 04/08/93	DRAWN: KRM	CHKD:	SCALE: 1/1 SHEET: 1 OF 1