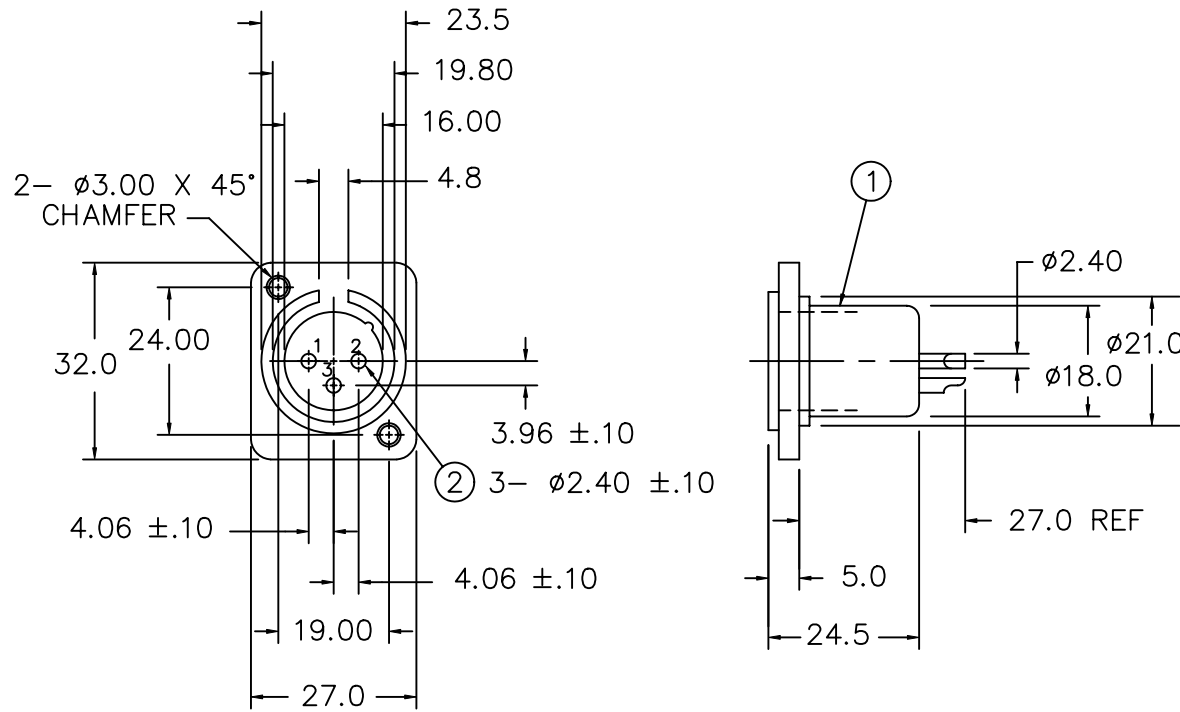


COMPONENT SPECIFICATION

USE OR REPRODUCTION OF THIS DRAWING FOR THE PURPOSE OF MANUFACTURING THIS ARTICLE OR ANY ARTICLES SHOWN FOR ANY PURPOSE IS STRICTLY PROHIBITED WITHOUT WRITTEN PERMISSION FROM SENIOR INDUSTRIES, INC.



SPECIFICATIONS

ELECTRICAL:

CONTACT RATING: 15A @ 125VAC
 CONTACT RESISTANCE: 5 MILLIOHMS MAX.
 INSULATION RESISTANCE: 5000 MEGOHMS MIN. @ 500VDC
 DIELECTRIC STRENGTH: 1400VAC
 CAPACITANCE: 4pF MAX.

MECHANICAL:

INSERTION FORCE: 1.0 - 8.0 Kg
 WITHDRAWAL FORCE: 1.0 - 8.0 Kg

ENVIRONMENTAL:

OPERATING TEMPERATURE: -55°C TO +70°C

NOTE: 'X' IN PART NUMBER DENOTES PINS PLATING:
 1 - SILVER ; 3 - GOLD.

ITEM	PART	QT'Y	MATERIAL/FINISH
1	HOUSING	1	PPO-1; BLACK
2	PIN	3	BRASS; SILVER OR GOLD PLATED



SENIOR INDUSTRIES, INC.

DESIGNED:			SYM.	DATE:	DESCRIPTION OF REVISIONS:	DRAWN:	APPD:	TOLERANCE:	PART NO:	SI-306-3-B-X
DRAWN:	KRM	04/08/93	▲	09.01.93	NEW	TF				
CHECKED:			▲	05.10.05	Rem'd rating on Item1; Ch'd numbering on pins	GAT		AS ANGLES: ± °	SHEET:	1 OF 1
APPROVED:			▲	05.18.05	Rem'd 4,5,7 pin opts & Ni plating on Housing; Ch'd PN	GAT				
3RD ANGLE		UNIT:	mm	SCALE:	1:1	REV:	C			