

COMPONENT SPECIFICATION

USE OR REPRODUCTION OF THIS DRAWING FOR THE PURPOSE OF MANUFACTURING THIS ARTICLE OR ANY ARTICLES SHOWN FOR ANY PURPOSE IS STRICTLY PROHIBITED WITHOUT WRITTEN PERMISSION FROM SENIOR INDUSTRIES, INC.

SPECIFICATIONS:

ELECTRICAL:

CONTACT RATING:

| | |
|-----------|---------------|
| 3 CONTACT | 15A @ 125VAC |
| 4 CONTACT | 10A @ 125VAC |
| 5 CONTACT | 7.5A @ 125VAC |
| 7 CONTACT | 5A @ 125VAC |

CONTACT RESISTANCE: 5 MILLIOHMS MAX.

INSULATION RESISTANCE: 5000 MEGOHMS MIN.
@ 500VDC

DIELECTRIC STRENGTH: 1400VAC

CAPACITANCE:

| | |
|-----------|----------|
| 3 CONTACT | 4pF MAX. |
| 4 CONTACT | 7pF MAX. |
| 5 CONTACT | 7pF MAX. |
| 7 CONTACT | 9pF MAX. |

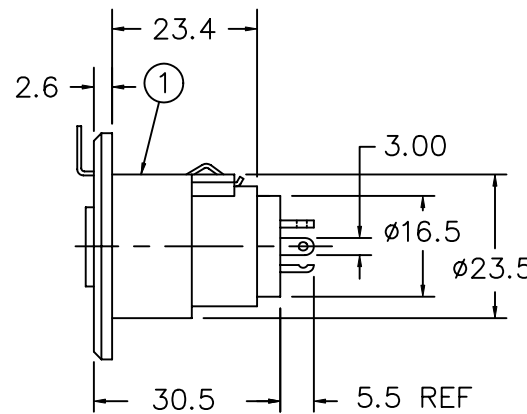
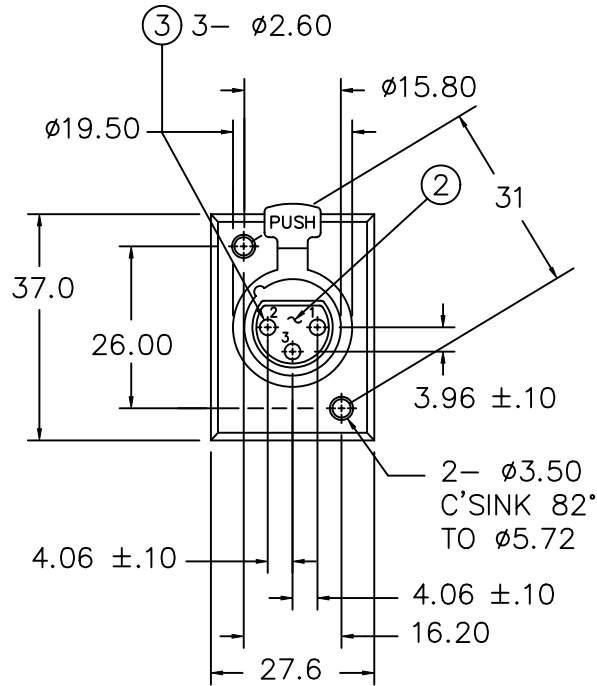
MECHANICAL:

INSERTION FORCE: 1.0 - 8.0 Kg

WITHDRAWAL FORCE: 1.0 - 8.0 Kg

ENVIRONMENTAL:

OPERATING TEMPERATURE: -55°C TO +70°C



SI-303-3-X-X SHOWN

NOTES:

1. 2nd 'X' IN PART NUMBER DENOTES HOUSING FINISH:
N-NICKEL; B-BLACK NICKEL
2. 3rd 'X' IN PART NUMBER DENOTES SOCKETS PLATING:
1-SILVER; 3-GOLD

| ITEM | PART | QT'Y | MATERIAL/FINISH |
|------|------------------|------|--|
| 1 | HOUSING | 1 | ZINC DIE-CAST; NICKEL OR BLACK NICKEL PLATED |
| 2 | INSERT INSULATOR | 1 | PPT; GRAY |
| 3 | SOCKET | 3 | PHOSPHOR BRONZE; SILVER OR GOLD PLATED |

| DRAWING NUMBER | NUMBER OF SOCKETS |
|----------------|-------------------|
| -3-X-X | 3 |
| -4-X-X | 4 |
| -5-X-X | 5 |
| -7-X-X | 7 |



SENIOR INDUSTRIES, INC.

| DESIGNED: | DRAWN: | CHECKED: | APPROVED: | SYM. | DATE: | DESCRIPTION OF REVISIONS: | DRAWN: | APPD: |
|-----------|--------|----------|-----------|------|----------|---|--------|-------|
| | KRM | JF | JF | ▲ | 09.01.93 | NEW | JF | JF |
| | | JF | JF | ▲ | 03.07.95 | Ch'd hole sizes and spacing to match parts | JF | JF |
| | | JF | JF | ▲ | 07.06.05 | Notes corr'd, Spec info added, Material spec corr | GAT | JF |
| | | JF | JF | ▲ | 10.31.05 | Two side holes dims + XLR width corr'd | GAT | JF |

TOLERANCE:
TO 1 DECIMAL PLACE: ±.4
TO 2 DECIMAL PLACES: ±.20

| | |
|----------|----------------|
| PART NO: | SI-303-X-X-X |
| TITLE: | XLR RECEPTACLE |

| | | | |
|-----------|----------|------------|--------|
| 3RD ANGLE | UNIT: mm | SCALE: 1:1 | REV: D |
|-----------|----------|------------|--------|

| | |
|--------------|---------------|
| AS ANGLES: ± | SHEET: 1 OF 1 |
|--------------|---------------|