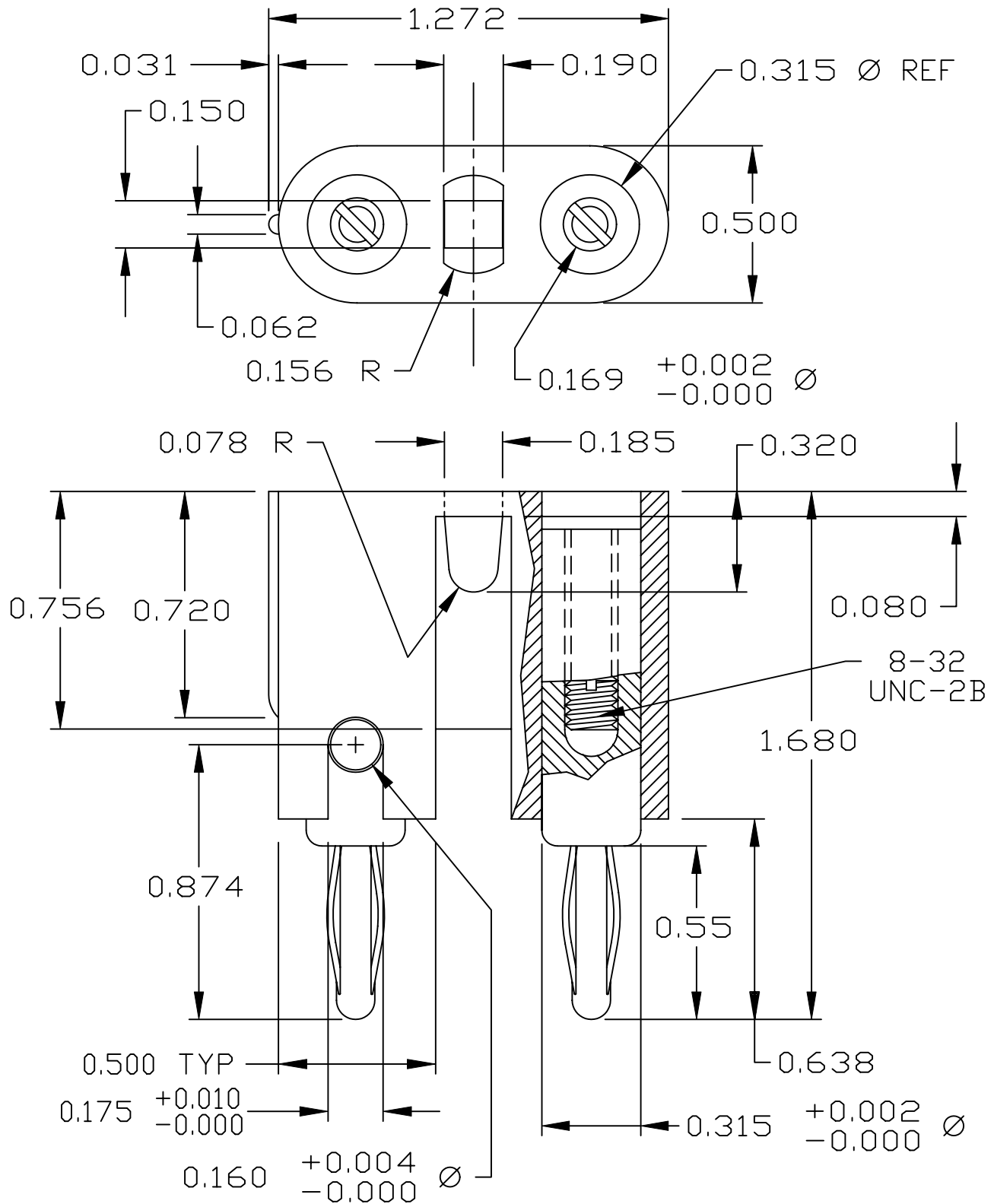


UNLESS OTHERWISE SPECIFIED, ALL DIMENSIONS ARE IN INCHES.

TO 2 DECIMAL PLACES ±
 TO 3 DECIMAL PLACES ±.010
 AS ANGLES ±1/2°

ISSUE	DATE
A	03/12/98
B	04/10/07



SENIOR INDUSTRIES, INC.

TITLE: BANANA PLUG		PART NO: SI-289L-X		
DATE: 11/13/97	DRAWN: HV	CHKD: JF	SCALE: 2/1	SHEET: 1 OF 1