

1

2

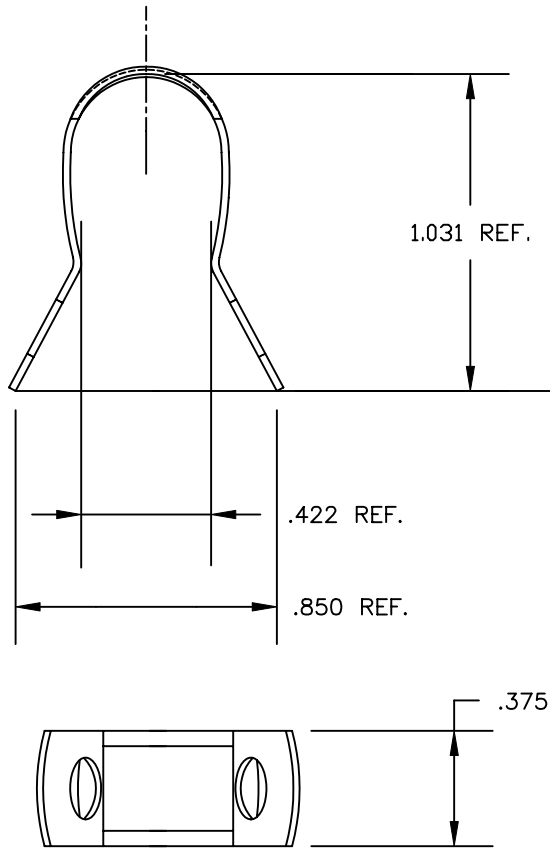
3

4

5

COMPONENT SPECIFICATION

USE OR REPRODUCTION OF THIS DRAWING FOR THE PURPOSE OF MANUFACTURING THIS ARTICLE OR ANY ARTICLES SHOWN FOR ANY PURPOSE IS STRICTLY PROHIBITED WITHOUT WRITTEN PERMISSION FROM SENIOR INDUSTRIES, INC.



SPECIFICATIONS

MECHANICAL

FOR USE WITH RG 11 CABLE

MATERIAL:

ALUMINUM

PACKAGING:

PACKAGE QUANTITY: 400

CARTON QUANTITY: 1000



SENIOR INDUSTRIES, INC.

DESIGNED:			SYM:	DATE:	DESCRIPTION OF REVISIONS:	DRAWN:	APPD:	TOLERANCE:	PART NO:	SI-0988-11
DRAWN:	MAW	02/25/11	▲	02.25.11	NEW	MAW	JF			
CHECKED:	MAW	02/25/11	▲	.	.			TO 2 DEC. PLACES: ±	TITLE:	U CABLE CLIP
APPROVED:	JF	02/25/11	▲	.	.			TO 3 DEC. PLACES: ±		
3RD ANGLE		UNIT:	inches	SCALE:	3:1	REV:	A	AS ANGLES: ± °	SHEET:	1 OF 1